

Parts Manual

2600-2S
26' 2-Section Folding Drill

Great Plains

Manufacturing, Inc.

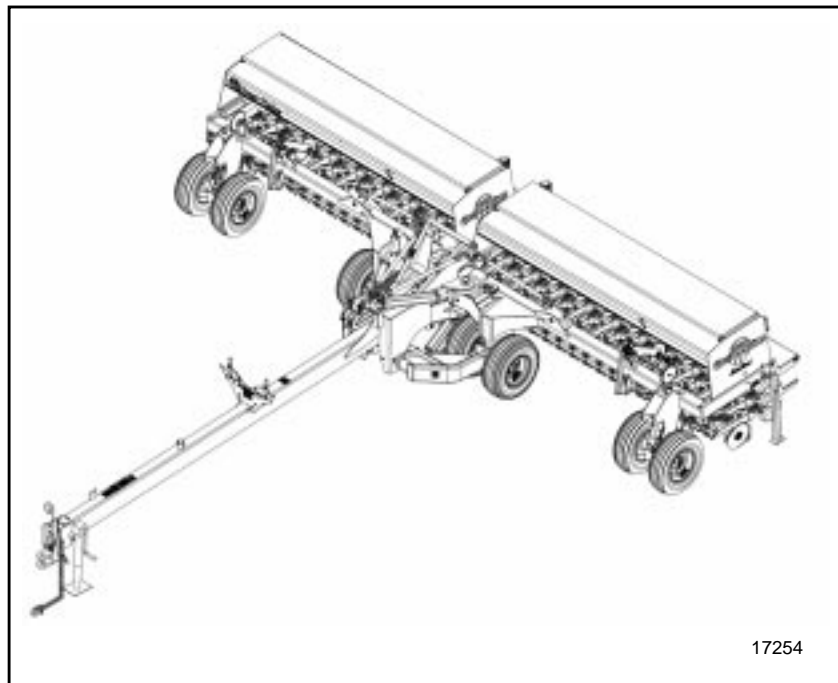
P.O. Box 5060 • Salina, Kansas 67402-5060

www.greatplainsmfg.com



Read the Operator's manual entirely. When you see this symbol, the subsequent instructions and warnings are serious - follow without exception. Your life and the lives of others depend on it!

Great Plains



Cover illustration may show optional equipment not supplied with standard unit.

Table of Contents

Section 1 Introduction	1-1	Left Hand Clutch Fertilizer (195-187K)	8-21
General Information	1-1	Right Hand Clutch Fertilizer (195-186K)	8-23
Revisions	1-1	Fertilizer Drive Subassembly	8-25
Touch-up Paint and Manual Information	1-1	Small Seeds Drive	8-27
Replacement Hardware	1-1	Section 9 Openers	9-1
Part Number Service Coding	1-2	00 Series Long Arm Opener	9-1
Part Number Index	1-3	00 HD Series Long Arm Opener	9-3
Section 2 Mainframe	2-1	00 Series Short Arm Opener	9-5
Hitch To Mainframe	2-1	00 HD Series Short Arm Opener	9-7
Rotating Square Hammerblow Jack (890-610C)	2-3	5" & 6" Seed-Lok, (Option) (122-193K & 122-266K)	9-9
Bulter Jack Assembly (890-610C)	2-5	00 HD 6" Seed-Lok, (Option) (122-009K)	9-11
Transport Latch	2-7	00 HD Keetion Seed Firmer	9-13
Mainframe (S/N DD 1079+)	2-9	Fertilizer Hose	9-15
Section 3 Transport Axle	3-1	Small Seeds Hose	9-17
Transport Axle To Mainframe	3-1	Section 10 Press Wheels	10-1
Transport Tires & Hub	3-3	1" x 12" Double "V" Press Wheel	10-1
Section 4 Toolbars	4-1	HD 1" x 12" Double "V" Press Wheel	10-3
Toolbar To Mainframe	4-1	2" x 13" Single Press Wheel	10-5
Toolbar Pivots To Box Frames	4-3	HD 2" x 13" Single Press Wheel	10-7
Section 5 Box & Box Frames	5-1	3" x 13" Single Press Wheel	10-9
Flex Limiter	5-1	HD 3" x 13" Single Press Wheel	10-11
Box To Box Frame	5-3	3" x 14" Peaked Single Press Wheel	10-13
Box To Box Frame Fertilizer	5-5	HD 3" x 14" Peaked Single Press Wheel	10-15
Lid To Box	5-7	4" x 12" Double Ribbed Single Press Wheel	10-17
Lid To Box Fertilizer	5-9	HD 4" x 12" Double Ribbed Single Press Wheel	10-19
Spill Flap Fertilizer (175-190S)	5-11	Section 11 Hydraulics	11-1
Box Dividers Fertilizer	5-13	Fold Hydraulics	11-1
Seed/Fertilizer Flap (175-191S)	5-15	Transport Axle	11-3
Fertilizer Tray To Box	5-17	Opener Down Pressure Hydraulics (Closed Center) (S/N DD1215-)	11-5
Fertilizer Tray	5-19	Opener Down Pressure Hydraulics (Closed Center) (S/N DD1216+)	11-7
Seed Level Indicator	5-21	Opener Down Pressure Hydraulics With Point Row	11-9
Lights	5-23	(Opener) (S/N DD1215-)	11-9
Weight Bracket	5-25	Opener Down Pressure Hydraulics With Point Row (Option)	11-11
Point Row Control Box With Cables	5-27	(S/N DD1216+)	11-11
Small Seeds Box Mounting	5-29	Opener Down Pressure Hydraulics (Open Center) (S/NDD1215-)	11-13
Small Seeds Box Components	5-31	Opener Down Pressure Hydraulics (Open Center) (S/N1216+)	11-15
Walkboard, Step & Parking Stand To Frame	5-33	Toolbar Fold Midway Hydraulic Cylinder 3.5 x 20 x 1.5 (810-298C)	11-17
Subframes To Wing Frames	5-35	Opener Lift Midway Hydraulic Cylinder 2 x 8 x 1.12 (810-299C)	11-19
Section 6 Metering System	6-1	Transport Axle Midway Hydraulics Cylinder 3.5 x 12 x 1.25	11-21
Adjustment Handle	6-1	(810-316C)	11-21
6" Feeder Cup Spacing LH	6-3	Pressure Reducing Valve (810-301C)	11-23
6" Feeder Cup Spacing RH	6-5	Manifold Block (810-371C)	11-25
7.5" Feeder Cup Spacing LH	6-7	Section 12 Decals	12-1
7.5" Feeder Cup Spacing RH	6-9	Decal Placement	12-1
10" Feeder Cup Spacing LH	6-11	Section 13 Options	13-1
10" Feeder Cup Spacing RH	6-13	Flat Fold Marker	13-1
Section 7 Gauge Wheels	7-1	Marker Disk and Hub	13-3
Single Gauge Wheel	7-1	Single Marker Hydraulics	13-5
Dual Gauge Wheel	7-3	Dual Markers Hydraulics	13-7
Section 8 Drives	8-1	Midway Hydraulic Cylinder 2.5 x 20 x 1.12 (810-118C)	13-9
Left Hand Drive (S/N DD 1151-)	8-1	Cross Hydraulic Cylinder 2.5 x 20 x 1.12 (810-118C)	13-11
Left Hand Drive (S/N DD 1152+)	8-3	Monarch Hydraulic Cylinder 2.5 x 20 x 1.12 (810-118C)	13-13
Left Hand Drive Fertilizer (S/N DD 1151-)	8-5	Double Selector Valve (810-274C)	13-15
Left Hand Drive Fertilizer (S/N DD 1152+)	8-7	Sequence Valve (810-197C)	13-17
Right Hand Drive (S/N DD 1151-)	8-9		
Right Hand Drive (S/N DD 1152+)	8-11		
Right Hand Drive Fertilizer (S/N DD 1151-)	8-13		
Right Hand Drive Fertilizer (S/N DD 1152+)	8-15		
Clutch Linkage	8-17		
Jaw Clutch (176-042S)	8-19		

© Copyright 2001 All rights Reserved

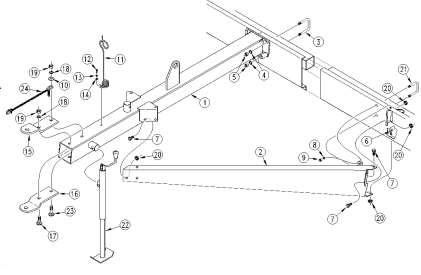
Great Plains Manufacturing, Inc. provides this publication "as is" without warranty of any kind, either expressed or implied. While every precaution has been taken in the preparation of this manual, Great Plains Manufacturing, Inc. assumes no responsibility for errors or omissions. Neither is any liability assumed for damages resulting from the use of the information contained herein. Great Plains Manufacturing, Inc. reserves the right to revise and improve its products as it sees fit. This publication describes the state of this product at the time of its publication, and may not reflect the product in the future. The illustrations in this manual are not intended for safe and proper assembly or disassembly of equipment. The illustrations are intended for ordering parts only.

Great Plains Manufacturing, Incorporated Trademarks

The following are trademarks of Great Plains Mfg., Inc.: Application Systems, Ausherman, Land Pride, Great Plains

All other brands and product names are trademarks or registered trademarks of their respective holders.

Printed in the United States of America.

Section Number & Description	Serial Number Break	Illustration Page	Parts	Page
<p>Section 2 Frames Tongue & Pull Bar (S/N 00000-) Great Plains Mfg., Inc.</p> <p>Illustration Heading</p>  <p>Illustration</p> <p>10207</p> <p>2-1 EWD13 13' End Wheel Drill 175-083P 5/21/98</p> <p>Left Page Number</p> <p>Manual Name & Number</p> <p>New or Modification Date</p>			<p>Great Plains Mfg., Inc. Section 2 Frames Tongue & Pull Bar (S/N 00000-)</p> <p>Parts List</p> <ol style="list-style-type: none"> 1. 177-001H 13' END WHEEL TONGUE WELDMENT 2. 177-004H PULL BAR WELDMENT LH 2. 177-005H PULL BAR WELDMENT RH 3. 806-032C U-BOLT 5/8-11 X 3 17/32 UNEVEN 4. 804-022C WASHER LOCK SPRING 5/8 PLT 5. 803-021C NUT HEX 5/8-11 PLT 6. 802-183C RHSNB 1/2-13X1 GR5 7. 802-083C HFSS 1/2-13X1 1/4 GR8 8. 804-015C WASHER LOCK SPRING 1/2 PLT 9. 803-020C NUT HEX 1/2-13 PLT 10. 177-587D SAFETY CHAIN WASHER 11. 807-023C SPRING HOSE LOOP 12. 801-028C SCREW HEX 3/8-16X1 TYPE F 13. 804-013C WASHER LOCK SPRING 3/8 PLT 14. 804-012C WASHER FLAT 3/8 SAE PLT 15. 177-009D CLEVIS HITCH TOP HALF 16. 177-008D CLEVIS HITCH BOTTOM HALF 17. 802-177C RHSNB 3/4-10X2 1/2 GR5 18. 804-023C WASHER LOCK SPRING 3/4 PLT 19. 803-027C NUT HEX 3/4-10 PLT 20. 803-037C NUT HEX WHIZ 1/2-13 PLT 21. 806-028C U-BOLT 1/2-13 X 3 17/32 X4 3/4 22. 890-118C SCREW JACK 2000# 23. 802-289C RHSNB 3/4-10X3 GR5 24. 890-182C SAFETY CHAIN 10000 LB <p>7/1/98 EWD13 13' End Wheel Drill 175-083P 2-2</p> <p>Right Page Number</p>	

General Information

Revisions

Please refer to the date at the bottom of each page for the most current version of the equipment. Serial number breaks are at the top of the page at the end of the illustration heading, refer to the illustration above.

Touch-up Paint and Manual Information

Repaint parts where paint is worn or scratched to prevent rust. Aerosol touch-up paint is available. To order use Great Plains part numbers below:

- GP Green821-001C
- GP Black821-002C
- GP Beige821-003C
- GP Buckskin821-004C
- LP Beige821-011C
- LP Black821-032C

Replacement manuals available. Use Great Plains part 195-200P.

Replacement Hardware

All bolts and nuts are grade 5 unless otherwise noted. The use of improper grades of hardware can result in personal injury, damage to equipment, or loss of property. See **“Hardware Legend”** on page 1-2, for hardware abbreviations used within all parts lists.

Hardware Legend

AR	As Required
BLADE	Blade Bolt
C	Cap Screw
CP	Cotter Pin
CPHSSS	Cup Point Hex Socket Set Screw
CPSHSS	Cup Point Square Head Set Screw
CPSQHSS	Cup Point Square Head Set Screw
CRFCHMS	Cross Recess Flat Countersunk Head Mach. Screw
CRPHMS	Cross Recess Pan Head Machine Screw
CRPHTFS	Cross Recess Pan Head Thread Forming
CRRHMS	Cross Recess Round Head Machine Screw
CRTHMS	Cross Recess Truss Head Machine Screw
CSNB	Countersunk Square Neck Bolt
FHMS	Flat Head Machine Screw
FTC	Full Thread Cap Screw
H	Hex Nut
HCLN	Hex Center Lock Nut
HFLCS	Hex Flange Lock Cap Screw
HFS	Hex Flange Screw
HFSLN	Hex Flange Serrated Lock Nut
HFSS	Hex Flange Serrated Screw
HHCS	Hex Head Cap Screw or Metric Bolt
HSBHCS	Hex Socket Button Head Cap Screw
HSFCHCS	Hex Socket Flat Countersunk Head Cap Screw
HSHCS	Hex Socket Head Cap Screw
HSSS	Hex Socket Head Screw
HTLN	Hex Top Lock Nut
HWHCS	Hex Washer Head Cap Screw

HWHMS	Hex Washer Head Machine Screw
HXBHCS	Hex Socket Button Head Cap Screw
J	Hex Jam Nut
JIC	37 Degree Tapered Thread
L	Helical Spring Lock Washer
LUG	Lug Bolt
NFC	National Fine Cap Screw
NPSM	National Pipe Straight Mechanical
NPTF	National Pipe Taper Fuel
P	Wide Plain Washer
PHMS	Pan Head Machine Screw
PLOW	Plow Bolt
RHMS	Round Head Machine Screw
RHSNB	Round Head Square Neck Bolt
SCREW LEVELING	Leveling Screw
SCREW THUMB	Thumb Screw
SCREW WELD	Weld Screw
SFCHMS	Slotted Flat Countersunk Head Machine Screw
SFHMS	Slotted Fillister Head Machine Screw
SP	Special
SP SCREW	Special Screw
SQHSS	Square Head Set Screw
SRHMS	Slotted Round Head Machine Screw
SSS	Socket Set Screw
STCS	Self Tapping Cap Screw
STHMS	Slotted Truss Head Machine Screw
WHEEL	Wheel Studs and Hub Long Bolts
WING	Wing Bolt

Part Number Service Coding

Within the following parts lists some part numbers are coded for revisions and interchangeability.

Legend:

Newest serial numbers are listed first.

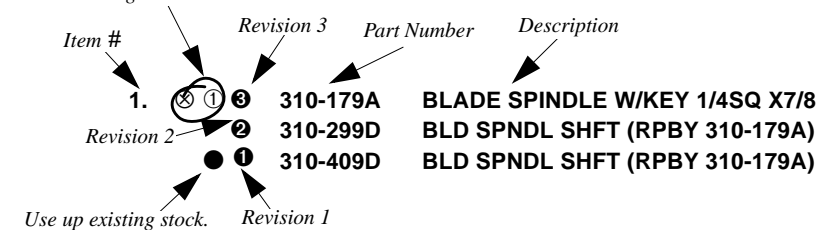
Bold face type indicates parts that are serviced. These parts are considered interchangeable, if it supersedes another part, unless otherwise noted.

Example:

- (S/N 20001+) Includes serial numbers 20001 and above (to the newest numbers)
- (S/N 10001↔20000) Includes serial numbers between and including 10001 and 20000
- (S/N 10000-) Includes serial numbers 10000 and below (to the oldest number)

- ① First revision, e.g.; ② is 2nd revision, ③ is 3rd revision, etc.
(Greater numbers are the newest.)
- The existing stock for this part should be used up before ordering the new part.
- ⊗ Not interchangeable
- ⊗①② Revision 2 is not interchangeable w/1

Not interchangeable with revision 1



Part Number Index

Part Number	Page	Part Number	Page	Part Number	Page	Part Number	Page
1-100-02-00	13-4	113-182H	13-2	119-153D	5-8	123-575D	5-32
10-50057	2-6	113-183H	13-2	119-154D	5-10	123-576D	5-32
10-50058	2-6	113-188H	13-2	119-154D	5-8	123-577D	5-32
10-70020	2-6	113-189H	13-2	119-190D	5-4	123-834H	5-32
10-80012	2-6	113-190H	13-2	119-190D	5-6	129BXT811	9-14
10-80028	2-6	113-200H	13-2	120-198D	7-2	129BXT812	9-14
10-80147	2-6	113-248D	13-2	120-198D	7-4	129BXT813	9-14
20-20028	2-6	113-311D	13-2	120-247D	5-36	129BXT814	9-14
1042	13-18	113-312D	13-2	121-151D	9-2	129BXT821	9-14
1079	13-16	113-313D	13-2	121-151D	9-6	133-024D	8-28
1099	13-18	113-319D	13-2	121-154D	9-2	133-061H	5-32
1179	13-18	113-323D	13-2	121-154D	9-6	133-062H	5-32
1180	13-18	113-324D	13-2	121-702H	9-2	133-063H	5-32
1182	13-18	113-325D	13-2	121-703H	9-6	133-064H	5-32
1211	13-18	113-351D	13-2	121-762S	9-2	133-152K	5-30
1217	13-18	113-370D	13-6	121-763S	9-6	133-153K	5-30
1218	13-18	113-370D	13-8	121-002H	9-4	133-154K	5-30
1285	13-16	113-558H	13-2	121-002H	9-8	133-155K	5-30
5070	11-24	113-559H	13-2	121-005S	9-4	133-156K	5-30
5075	11-24	113-560H	13-2	121-005S	9-8	133-157K	5-30
125006	9-14	113-562H	13-4	121-044D	9-4	133-158H	5-30
129090	13-14	113-563S	13-2	121-044D	9-8	133-159H	5-30
134952	13-14	113-563S	13-4	121-045D	9-4	133-160H	5-30
134953	13-14	113-568H	13-2	121-045D	9-8	133-161H	5-30
186561	13-14	113-370D	5-4	121-151D	9-4	136-027D	8-26
491680	13-14	113-370D	5-6	121-151D	9-8	136-044D	8-16
492230	13-14	1132-05	13-18	121-152D	9-2	136-044D	8-6
492371	13-14	1132-08	13-18	121-154D	9-4	136-044D	8-8
492529	13-14	118-226S	6-10	121-154D	9-8	136-064D	8-14
492643	13-14	118-226S	6-12	121-164D	9-2	136-064D	8-16
492724	13-14	118-226S	6-14	121-164D	9-6	136-064D	8-6
30102360	11-14	118-226S	6-4	121-166D	9-2	136-064D	8-8
30102360	11-16	118-226S	6-6	121-167D	9-2	136-104D	8-28
30102754	11-26	118-226S	6-8	121-169D	9-2	136-111D	8-10
39680008	11-26	118-336D	6-10	121-169D	9-4	136-111D	8-12
61010039	11-26	118-336D	6-12	122-041D	10-14	136-111D	8-14
61011003	11-26	118-336D	6-14	122-041D	10-18	136-111D	8-16
85002333	11-26	118-336D	6-4	122-103S	10-18	136-111D	8-2
85002946	11-14	118-336D	6-6	122-117S	10-14	136-111D	8-4
85002946	11-16	118-336D	6-8	122-120D	9-10	136-111D	8-6
85020040	11-24	118-338D	6-10	122-173H	9-10	136-111D	8-8
107-113D	9-2	118-341D	6-10	122-197V	10-18	136-122D	8-10
107-113D	9-6	118-341D	6-12	122-198V	10-14	136-122D	8-12
107-133S	9-2	118-341D	6-14	122-201S	9-10	136-122D	8-14
107-133S	9-6	118-341D	6-4	122-202S	9-2	136-122D	8-16
107-111D	9-2	118-341D	6-6	122-202S	9-6	136-122D	8-2
107-111D	9-6	118-341D	6-8	122-231A	9-10	136-122D	8-4
107-137V	9-4	118-431D	6-6	122-001S	9-4	136-122D	8-6
107-137V	9-8	118-432D	6-10	122-001S	9-8	136-122D	8-8
1087-250	13-18	118-432D	6-4	122-041D	10-16	136-128D	8-10
1087-437	13-18	118-432D	6-6	122-041D	10-20	136-128D	8-2
1088-011	13-18	118-433D	6-4	122-103S	10-20	136-151D	8-14
1088-210	13-16	118-434D	6-4	122-117S	10-16	136-151D	8-16
1088-905	13-18	118-434D	6-6	122-120D	9-12	136-151D	8-6
1088-906	13-18	118-437D	6-10	122-164D	9-12	136-151D	8-8
1088-908	13-18	118-437D	6-6	122-166D	9-12	136-175D	8-10
1089-011	13-18	118-438D	6-10	122-197V	10-20	136-175D	8-12
1089-210	13-16	118-438D	6-8	122-198V	10-16	136-175D	8-14
109-025H	6-2	118-440D	6-10	122-242S	9-2	136-175D	8-16
109-069D	6-2	118-443H	6-2	122-242S	9-6	136-175D	8-2
109-091D	6-10	118-444H	6-2	122-250H	9-12	136-175D	8-4
109-091D	6-12	118-467D	6-8	123-113D	5-32	136-175D	8-6
109-091D	6-14	118-468D	6-10	123-116D	5-32	136-175D	8-8
109-091D	6-4	118-508D	6-10	123-118D	5-32	136-183D	8-28
109-091D	6-6	118-508D	6-12	123-356D	5-32	142-198D	9-2
109-091D	6-8	118-508D	6-14	123-409D	5-32	142-198D	9-6
1092-6	13-18	118-508D	6-4	123-410D	5-32	142-198D	9-4
113-180H	13-2	118-508D	6-6	123-476H	5-32	142-198D	9-8
113-181H	13-2	118-508D	6-8	123-491D	5-30	152-215D	3-4
		119-153D	5-10	123-492D	5-30	152-044D	6-4

Part Number Index

Part Number	Page	Part Number	Page	Part Number	Page	Part Number	Page
152-044D	6-6	194-158H	5-2	195-187K	8-28	197-096D	5-22
152-262D	8-18	194-160H	5-4	195-187K	8-6	198-137D	10-10
152-263D	8-18	194-160H	5-6	195-187K	8-8	198-137D	10-14
152-390D	7-2	194-161H	4-4	195-188H	5-36	198-137D	10-18
152-390D	7-4	194-161H	5-4	195-189D	8-2	198-137D	10-2
155-012K	3-4	194-161H	5-6	195-189D	8-4	198-137D	10-6
161-046K	7-2	194-162H	5-2	195-189D	8-6	198-137D	10-12
161-046K	7-4	194-163H	4-2	195-189D	8-8	198-137D	10-16
168-127D	8-28	194-164H	4-2	195-192D	5-12	198-137D	10-20
170-033H	2-2	194-165H	5-36	195-194D	5-14	198-137D	10-4
171-043D	5-26	194-166H	5-36	195-197D	5-12	198-137D	10-8
171-084H	5-26	194-167H	2-8	195-197D	5-16	198-331D	9-4
171-098H	5-26	194-172H	3-2	195-198D	5-10	198-331D	9-8
175-102H	5-20	194-268D	4-2	195-200B	12-2	199-022H	10-2
175-145H	5-4	194-269D	4-4	195-206D	5-6	199-030D	10-14
175-146H	5-10	194-270D	4-2	195-207D	5-6	199-031D	10-18
175-146H	5-8	194-270D	4-4	195-208D	5-14	199-043H	10-4
175-182H	5-20	194-273D	7-2	195-210D	8-26	1D0204-2475	13-12
175-183H	5-20	194-273D	7-4	195-212D	8-26	1D1003-4	13-12
175-184H	5-20	194-381D	2-8	195-212D	8-28	1D1155-13	13-12
175-188K	5-18	194-401D	3-2	195-222D	8-22	1D1401-250	13-12
175-189K	5-18	194-402D	3-2	195-223K	5-18	1D1582-16275	13-12
175-190S	5-14	195-100D	5-4	195-224K	5-18	200-001D	3-4
175-219H	5-6	195-100D	5-6	195-225K	5-18	202-189D	10-12
175-233D	6-10	195-101D	5-4	195-229D	7-4	202-189D	10-8
175-233D	6-12	195-101D	5-6	195-230D	7-2	202-190D	10-16
175-233D	6-14	195-102D	5-4	195-234D	7-4	202-274D	10-20
175-233D	6-4	195-102D	5-6	195-236D	6-6	206-014S	9-10
175-233D	6-6	195-112D	5-24	195-237D	6-10	206-014S	9-12
175-233D	6-8	195-121D	5-34	195-238D	6-14	221-131H	9-4
175-280D	6-12	195-122D	5-34	195-239D	8-10	221-131H	9-8
175-280D	6-14	195-124H	5-22	195-239D	8-12	248-251D	5-8
175-325D	5-12	195-130H	8-18	195-239D	8-14	2A0006	11-18
175-326D	5-12	195-131H	8-18	195-239D	8-16	2A0006	11-20
175-327D	5-12	195-139H	8-10	195-240D	8-10	2A0006	11-22
175-327D	5-16	195-139H	8-2	195-240D	8-12	2A0006	13-10
175-338D	5-20	195-144D	8-18	195-240D	8-14	2A0012	11-18
175-341D	5-20	195-145H	8-26	195-240D	8-16	2A0012	11-20
176-042S	8-10	195-145H	8-28	195-241D	8-14	2A0012	11-22
176-042S	8-12	195-153H	8-26	195-241D	8-16	2A0012	13-10
176-042S	8-2	195-154H	8-26	195-241D	8-28	2A0016	11-18
176-042S	8-22	195-155H	8-26	195-241D	8-6	2A0016	11-22
176-042S	8-24	195-156H	8-26	195-241D	8-8	2A0022	11-20
176-042S	8-4	195-157H	8-26	195-244D	6-4	2A0022	13-10
176-065D	8-20	195-158H	8-26	195-245D	6-8	2A0024	11-18
176-065D	8-22	195-159D	7-2	195-246D	6-12	2A0024	11-22
176-066D	8-20	195-159D	7-4	195-249S	8-14	2A0079-616	13-12
176-076D	8-20	195-159H	8-26	195-249S	8-16	2A0132	11-18
176-078D	8-20	195-160D	7-2	195-250H	8-26	2A0132	11-20
176-080D	8-20	195-160D	7-4	195-250H	8-28	2A0132	11-22
176-084D	8-20	195-161H	8-24	195-253H	6-2	2A0132	13-10
181-064D	3-4	195-165D	5-24	195-264H	8-10	2A0206	13-10
188-001V	9-2	195-169D	8-10	195-264H	8-12	2A0208	11-18
188-001V	9-6	195-169D	8-12	195-264H	8-14	2A0208	11-20
188-008V	9-10	195-169D	8-14	195-264H	8-16	2A0208	11-22
188-008V	9-12	195-169D	8-16	195-264H	8-2	2A0235-6	13-12
191-001D	5-20	195-169D	8-2	195-264H	8-4	2A0235-6	13-12
191-002D	5-20	195-169D	8-4	195-264H	8-6	2A0246-12	13-12
191-018D	5-20	195-169D	8-6	195-264H	8-8	2A0308-1	13-12
194-070D	2-2	195-169D	8-8	195-265D	7-4	2A0578-2475	13-12
194-113H	3-2	195-170D	8-10	195-266D	7-2	2H-200GP	2-6
194-123K	5-36	195-170D	8-12	196-112D	13-6	2H-30080	2-6
194-129H	5-36	195-177S	5-10	196-112D	13-8	2H-30081	2-6
194-134H	2-10	195-181H	5-14	196-112D	2-10	2M2316	11-20
194-135H	5-34	195-182H	5-14	196-112D	5-4	2M3326	13-10
194-152H	5-2	195-183H	5-14	196-112D	5-6	2M5420	11-22
194-154H	5-2	195-184S	8-6	196-136H	2-2	2M5530	11-18
194-155H	5-36	195-184S	8-8	197-001D	4-2	313-176D	5-10
194-156H	5-36	195-186K	8-14	197-001D	4-4	313-176D	5-8
194-157H	5-2	195-186K	8-16	197-089D	5-22	313-186D	5-10

Part Number Index

Part Number	Page	Part Number	Page	Part Number	Page	Part Number	Page
313-186D	5-8	800-073C	4-2	802-045C	9-6	802-041C	8-26
3M5410	11-22	800-073C	5-2	802-051C	10-2	802-041C	8-28
3R0122	11-20	800-082C	11-10	802-058C	10-6	802-041C	8-6
3R0310	13-10	800-082C	11-12	802-059C	10-14	802-041C	8-8
3R3512	11-18	800-082C	11-14	802-115C	13-2	802-045C	9-4
401-154D	5-2	800-082C	11-16	802-119C	10-18	802-045C	9-8
404-121S	9-4	800-082C	11-6	802-121C	9-2	802-058C	10-12
404-121S	9-8	800-082C	11-8	802-121C	9-6	802-058C	10-4
404-170H	9-4	800-093C	9-12	802-125C	13-4	802-058C	10-8
404-170H	9-8	800-101C	5-22	802-151C	10-18	802-058C	2-8
4C2024	13-12	800-101C	5-32	802-153C	3-4	802-059C	10-16
4M2102	11-20	800-107C	6-10	802-168C	13-2	802-078C	5-12
4M3102	13-10	800-107C	6-12	802-168C	13-6	802-078C	5-16
4M5102	11-18	800-107C	6-14	802-168C	13-8	802-078C	5-32
4M5102	11-22	800-107C	6-4	802-197C	10-14	802-079C	2-10
5M2116	11-20	800-107C	6-6	802-228C	9-2	802-079C	2-8
5M3128	13-10	800-107C	6-8	802-228C	9-6	802-079C	5-20
5M5120	11-22	800-121C	5-10	802-249C	13-2	802-079C	5-4
5M5128	11-18	800-121C	5-8	802-254C	13-2	802-079C	5-6
6R0032	11-20	800-149C	5-24	802-261C	13-2	802-079C	8-18
6R3150	11-22	800-213C	9-4	802-266C	13-2	802-082C	5-34
6R3150	13-10	800-213C	9-8	802-399C	3-4	802-082C	5-36
6R3162	11-18	800-268C	9-4	802-421C	10-2	802-092C	5-20
7M2316	11-20	800-268C	9-8	802-617C	10-6	802-092C	5-32
7M3328	13-10	800-310C	9-10	802-004C	5-32	802-095C	5-36
7M5320	11-22	800-321C	9-18	802-004C	5-8	802-104C	7-2
7M5328	11-18	800-322C	9-2	802-004C	6-10	802-104C	7-4
800-001C	13-2	800-322C	9-4	802-004C	6-12	802-114C	5-2
800-009C	9-2	801-002C	9-2	802-004C	6-14	802-119C	10-20
800-009C	9-6	801-002C	9-6	802-004C	6-4	802-121C	9-4
800-082C	13-6	801-023C	13-14	802-004C	6-6	802-121C	9-8
800-082C	13-8	801-054C	13-2	802-004C	6-8	802-138C	2-10
800-093C	9-10	801-084C	9-10	802-004C	8-2	802-138C	5-4
800-213C	9-2	801-141C	9-10	802-004C	8-4	802-138C	5-6
800-213C	9-6	801-001C	5-32	802-005C	10-4	802-138C	7-2
800-268C	9-2	801-001C	6-2	802-005C	5-14	802-138C	7-4
800-268C	9-6	801-002C	9-16	802-007C	6-2	802-139C	5-36
800-001C	3-2	801-002C	9-18	802-012C	8-8	802-148C	5-20
800-001C	5-2	801-002C	9-4	802-014C	6-10	802-148C	5-32
800-001C	5-36	801-002C	9-8	802-014C	6-12	802-151C	10-20
800-003C	6-2	801-003C	5-32	802-014C	6-14	802-152C	8-22
800-004C	6-10	801-009C	5-20	802-014C	6-2	802-178C	4-2
800-004C	6-12	801-035C	5-32	802-014C	6-4	802-196C	5-18
800-004C	6-14	801-035C	6-10	802-014C	6-6	802-196C	6-2
800-004C	6-4	801-035C	6-12	802-014C	6-8	802-197C	10-16
800-004C	6-6	801-035C	6-14	802-017C	5-10	802-203C	5-24
800-004C	6-8	801-035C	6-4	802-017C	5-8	802-203C	5-4
800-008C	9-16	801-035C	6-6	802-017C	8-22	802-203C	5-6
800-009C	6-10	801-035C	6-8	802-017C	8-24	802-203C	5-8
800-009C	6-12	801-052C	2-6	802-026C	11-10	802-204C	5-36
800-009C	6-14	801-057C	6-10	802-026C	11-12	802-212C	3-2
800-009C	6-4	801-057C	6-12	802-034C	5-30	802-214C	8-28
800-009C	6-6	801-057C	6-14	802-034C	5-4	802-228C	9-4
800-009C	6-8	801-057C	6-4	802-034C	5-6	802-228C	9-8
800-009C	9-4	801-057C	6-6	802-034C	8-26	802-252C	5-20
800-009C	9-8	801-057C	6-8	802-034C	8-28	802-252C	9-12
800-012C	5-12	801-068C	3-2	802-039C	2-2	802-252C	9-14
800-012C	5-20	801-084C	9-12	802-039C	8-12	802-282C	8-10
800-016C	9-16	801-096C	5-22	802-039C	8-14	802-282C	8-12
800-028C	5-32	801-141C	9-12	802-039C	8-16	802-282C	8-14
800-032C	5-20	801-151C	5-24	802-039C	8-2	802-282C	8-16
800-046C	2-6	801-154C	5-22	802-039C	8-2	802-282C	8-2
800-058C	5-36	802-005C	10-2	802-039C	8-4	802-282C	8-26
800-058C	8-10	802-014C	13-8	802-039C	8-4	802-282C	8-28
800-058C	8-12	802-015C	9-2	802-039C	8-6	802-282C	8-28
800-058C	8-2	802-015C	9-6	802-039C	8-8	802-282C	8-4
800-058C	8-22	802-017C	9-10	802-041C	8-10	802-282C	8-6
800-058C	8-24	802-022C	13-2	802-041C	8-12	802-282C	8-8
800-058C	8-4	802-039C	13-2	802-041C	8-14	802-375C	5-10
800-064C	5-24	802-045C	9-2	802-041C	8-16	802-375C	5-12

Part Number Index

<u>Part Number</u>	<u>Page</u>	<u>Part Number</u>	<u>Page</u>	<u>Part Number</u>	<u>Page</u>	<u>Part Number</u>	<u>Page</u>
802-375C	5-14	803-001C	5-32	803-036C	8-4	804-022C	10-14
802-387C	5-14	803-006C	11-10	803-036C	8-6	804-022C	10-18
802-387C	5-4	803-006C	11-12	803-036C	8-8	804-022C	10-2
802-387C	5-6	803-006C	11-14	803-036C	9-4	804-022C	10-6
802-388C	5-30	803-006C	11-16	803-036C	9-8	804-022C	13-2
802-411C	5-10	803-006C	11-6	803-058C	5-32	804-025C	13-4
802-411C	5-8	803-006C	11-8	803-079C	4-2	804-029C	13-2
802-413C	8-12	803-006C	3-2	803-079C	4-4	804-040C	9-2
802-413C	8-16	803-006C	5-20	803-088C	10-12	804-040C	9-6
802-413C	8-4	803-006C	5-32	803-088C	10-8	804-078C	9-10
802-413C	8-8	803-007C	5-14	803-088C	5-10	804-154C	9-2
802-421C	10-20	803-007C	5-16	803-088C	5-12	804-154C	9-6
802-425C	5-10	803-007C	5-32	803-088C	5-18	804-001C	6-2
802-425C	5-8	803-008C	5-20	803-088C	5-20	804-002C	5-32
802-426C	4-2	803-008C	8-10	803-088C	6-2	804-002C	6-2
802-427C	9-18	803-008C	8-12	803-169C	10-12	804-003C	5-32
802-442C	5-6	803-008C	8-14	803-169C	10-16	804-003C	6-2
802-543C	2-2	803-008C	8-16	803-169C	10-20	804-004C	5-22
802-544C	2-2	803-008C	8-18	803-169C	10-4	804-004C	5-32
802-544C	5-2	803-008C	8-2	803-169C	10-8	804-006C	11-10
802-550C	9-2	803-008C	8-26	803-169C	5-24	804-006C	11-12
802-550C	9-8	803-008C	8-28	803-169C	5-30	804-006C	11-14
802-551C	11-10	803-008C	8-28	803-169C	5-4	804-006C	11-16
802-551C	11-12	803-008C	8-4	803-169C	5-6	804-006C	11-6
802-551C	11-14	803-008C	8-6	803-169C	9-4	804-006C	11-8
802-551C	11-16	803-008C	8-8	803-169C	9-8	804-006C	5-20
802-551C	11-6	803-011C	5-10	803-177C	10-16	804-006C	5-32
802-551C	11-8	803-011C	5-8	803-177C	10-20	804-006C	8-10
802-551C	8-10	803-011C	7-2	803-177C	5-6	804-006C	8-12
802-551C	8-12	803-011C	7-4	803-193C	9-4	804-006C	8-2
802-551C	8-24	803-013C	11-10	803-193C	9-8	804-006C	8-22
802-617C	10-8	803-013C	11-12	803-194C	6-10	804-006C	8-24
802-617C	9-14	803-013C	2-8	803-194C	6-12	804-006C	8-4
802-618C	10-12	803-014C	2-10	803-194C	6-14	804-009C	2-10
802-633C	5-20	803-014C	5-20	803-194C	6-4	804-009C	5-20
802-687C	7-2	803-014C	5-30	803-194C	6-6	804-009C	5-4
802-687C	7-4	803-014C	5-4	803-194C	6-8	804-009C	5-6
803-011C	13-2	803-014C	5-6	803-199C	5-14	804-009C	6-2
803-013C	13-2	803-014C	8-18	803-199C	5-4	804-009C	8-10
803-014C	13-14	803-014C	9-12	803-199C	5-6	804-009C	8-12
803-014C	13-6	803-014C	9-14	803-208C	7-2	804-009C	8-14
803-014C	13-8	803-016C	6-2	803-208C	7-4	804-009C	8-16
803-014C	9-2	803-019C	9-4	803-209C	5-10	804-009C	8-2
803-014C	9-6	803-019C	9-8	803-209C	5-14	804-009C	8-26
803-019C	13-2	803-020C	2-2	803-209C	5-8	804-009C	8-28
803-019C	9-2	803-020C	5-34	803-209C	9-18	804-009C	8-28
803-019C	9-6	803-020C	5-36	803-215C	8-18	804-009C	8-4
803-020C	13-2	803-020C	8-18	803-215C	8-22	804-009C	8-6
803-020C	13-2	803-020C	8-26	803-215C	8-24	804-009C	8-8
803-021C	13-2	803-020C	8-28	803-239C	7-2	804-009C	8-8
803-024C	13-2	803-020C	8-6	803-239C	7-4	804-011C	11-12
803-029C	3-4	803-020C	8-8	803-263C	7-2	804-011C	2-10
803-036C	13-2	803-021C	5-26	803-263C	7-4	804-011C	5-10
803-036C	9-2	803-026C	5-36	803-293C	5-8	804-011C	5-4
803-036C	9-6	803-027C	3-2	803-310C	9-2	804-011C	5-6
803-053C	13-4	803-027C	5-26	803-310C	9-4	804-011C	5-8
803-088C	10-6	803-027C	5-36	804-009C	13-6	804-011C	8-18
803-159C	13-4	803-028C	4-2	804-009C	13-8	804-012C	5-32
803-169C	10-10	803-028C	5-36	804-011C	13-2	804-012C	6-10
803-169C	10-14	803-032C	4-2	804-012C	9-10	804-012C	6-12
803-169C	10-18	803-034C	2-2	804-012C	9-2	804-012C	6-14
803-169C	10-2	803-035C	5-32	804-012C	9-6	804-012C	6-2
803-169C	10-6	803-035C	6-2	804-013C	13-6	804-012C	6-4
803-169C	9-2	803-036C	8-10	804-013C	13-8	804-012C	6-6
803-169C	9-6	803-036C	8-12	804-013C	9-10	804-012C	6-8
803-177C	10-14	803-036C	8-14	804-013C	9-2	804-012C	9-10
803-177C	10-18	803-036C	8-16	804-013C	9-6	804-012C	9-12
803-193C	9-2	803-036C	8-2	804-015C	13-2	804-013C	5-20
803-193C	9-6	803-036C	8-26	804-015C	13-2	804-013C	5-24
803-001C	5-22	803-036C	8-28	804-017C	13-2	804-013C	5-30

Part Number Index

Part Number	Page	Part Number	Page	Part Number	Page	Part Number	Page
804-013C	5-4	804-075C	11-6	805-180C	8-2	808-256C	8-8
804-013C	5-6	804-075C	11-8	805-180C	8-22	808-257C	8-10
804-013C	6-10	804-075C	5-22	805-180C	8-26	808-257C	8-12
804-013C	6-12	804-078C	9-12	805-180C	8-28	808-257C	8-14
804-013C	6-14	804-082C	3-2	805-180C	8-4	808-257C	8-16
804-013C	6-2	804-095C	7-2	805-180C	8-6	808-257C	8-2
804-013C	6-4	804-095C	7-4	805-180C	8-8	808-257C	8-4
804-013C	6-6	804-098C	7-2	805-186C	9-4	808-257C	8-6
804-013C	6-8	804-098C	7-4	805-186C	9-8	808-257C	8-8
804-013C	8-18	804-113C	8-10	805-197C	5-34	808-258C	8-10
804-013C	9-12	804-113C	8-12	805-234C	9-4	808-258C	8-12
804-013C	9-14	804-113C	8-14	805-234C	9-8	808-258C	8-14
804-015C	2-2	804-113C	8-16	805-236C	5-36	808-258C	8-16
804-015C	5-34	804-113C	8-2	805-240C	8-26	808-258C	8-2
804-015C	5-36	804-113C	8-26	805-335C	9-4	808-258C	8-4
804-015C	5-4	804-113C	8-28	805-335C	9-8	808-258C	8-6
804-015C	5-6	804-113C	8-4	805-385C	9-4	808-258C	8-8
804-015C	8-10	804-113C	8-6	805-385C	9-8	808-259C	8-10
804-015C	8-12	804-113C	8-8	806-005C	13-2	808-259C	8-12
804-015C	8-14	804-154C	9-4	806-039C	13-2	808-259C	8-14
804-015C	8-16	804-154C	9-8	806-060C	13-2	808-259C	8-16
804-015C	8-18	804-182C	7-2	806-060C	8-14	808-259C	8-2
804-015C	8-2	804-182C	7-4	806-060C	8-16	808-259C	8-28
804-015C	8-26	805-016C	3-4	806-060C	8-28	808-259C	8-4
804-015C	8-28	805-019C	13-4	806-060C	8-6	808-259C	8-6
804-015C	8-4	805-058C	13-2	806-060C	8-8	808-259C	8-8
804-015C	8-6	805-109C	9-2	806-109C	8-18	808-260C	8-26
804-015C	8-6	805-109C	9-6	807-101C	9-10	808-287C	7-2
804-015C	8-8	805-127C	9-2	807-106C	9-2	808-287C	7-4
804-015C	8-8	805-127C	9-6	807-106C	9-6	809-198C	9-10
804-016C	8-28	805-154C	9-2	807-159C	9-2	810-058C	13-6
804-017C	2-2	805-154C	9-6	807-159C	9-6	810-118C	13-2
804-019C	2-8	805-186C	9-2	807-072C	8-18	810-197C	13-8
804-019C	5-26	805-186C	9-6	807-073C	2-2	810-274C	13-6
804-021C	6-2	805-234C	9-2	807-097C	8-20	810-274C	13-8
804-022C	10-12	805-234C	9-6	807-101C	9-12	810-303C	11-24
804-022C	10-16	805-004C	5-2	807-106C	5-10	810-303C	11-24
804-022C	10-20	805-016C	6-2	807-106C	5-8	810-293C	11-14
804-022C	10-4	805-019C	5-32	807-106C	9-4	810-293C	11-16
804-022C	10-8	805-020C	9-12	807-106C	9-8	810-299C	5-36
804-022C	2-8	805-023C	6-10	807-177C	2-8	810-300C	11-10
804-022C	5-26	805-023C	6-12	807-188C	9-12	810-300C	11-12
804-023C	3-2	805-023C	6-14	807-262C	9-4	810-300C	11-14
804-023C	5-26	805-023C	6-4	807-262C	9-8	810-300C	11-16
804-023C	5-36	805-023C	6-6	808-086C	5-20	810-300C	11-6
804-025C	5-36	805-023C	6-8	808-097C	7-2	810-300C	11-8
804-027C	5-36	805-024C	8-20	808-097C	7-4	810-301C	11-10
804-030C	2-2	805-026C	8-2	808-143C	8-10	810-301C	11-12
804-030C	5-2	805-026C	8-4	808-143C	8-12	810-301C	11-14
804-031C	6-10	805-030C	7-2	808-143C	8-14	810-301C	11-16
804-031C	6-12	805-030C	7-4	808-143C	8-16	810-301C	11-6
804-031C	6-14	805-032C	5-34	808-143C	8-2	810-301C	11-8
804-031C	6-4	805-067C	5-22	808-143C	8-4	810-303C	11-14
804-031C	6-6	805-067C	5-32	808-143C	8-6	810-303C	11-16
804-031C	6-8	805-067C	8-28	808-143C	8-8	810-316C	3-2
804-035C	4-2	805-069C	9-12	808-170C	8-28	810-343C	11-14
804-035C	4-4	805-083C	8-18	808-240C	8-10	810-343C	11-16
804-036C	5-10	805-085C	4-2	808-240C	8-12	810-344C	11-14
804-036C	5-8	805-104C	3-2	808-240C	8-2	810-344C	11-16
804-036C	6-2	805-104C	5-36	808-240C	8-22	810-371C	11-10
804-040C	6-2	805-109C	8-18	808-240C	8-24	810-371C	11-12
804-040C	9-4	805-109C	9-4	808-240C	8-4	810-408C	5-28
804-040C	9-8	805-109C	9-8	808-256C	8-10	810-410C	11-10
804-042C	5-32	805-124C	3-2	808-256C	8-12	810-410C	11-14
804-044C	5-32	805-127C	9-4	808-256C	8-14	810-410C	11-6
804-046C	5-32	805-127C	9-8	808-256C	8-16	810-428C	11-10
804-075C	11-10	805-180C	8-10	808-256C	8-2	810-428C	11-12
804-075C	11-12	805-180C	8-12	808-256C	8-28	810-428C	11-14
804-075C	11-14	805-180C	8-14	808-256C	8-4	810-428C	11-16
804-075C	11-16	805-180C	8-16	808-256C	8-6	810-428C	11-6

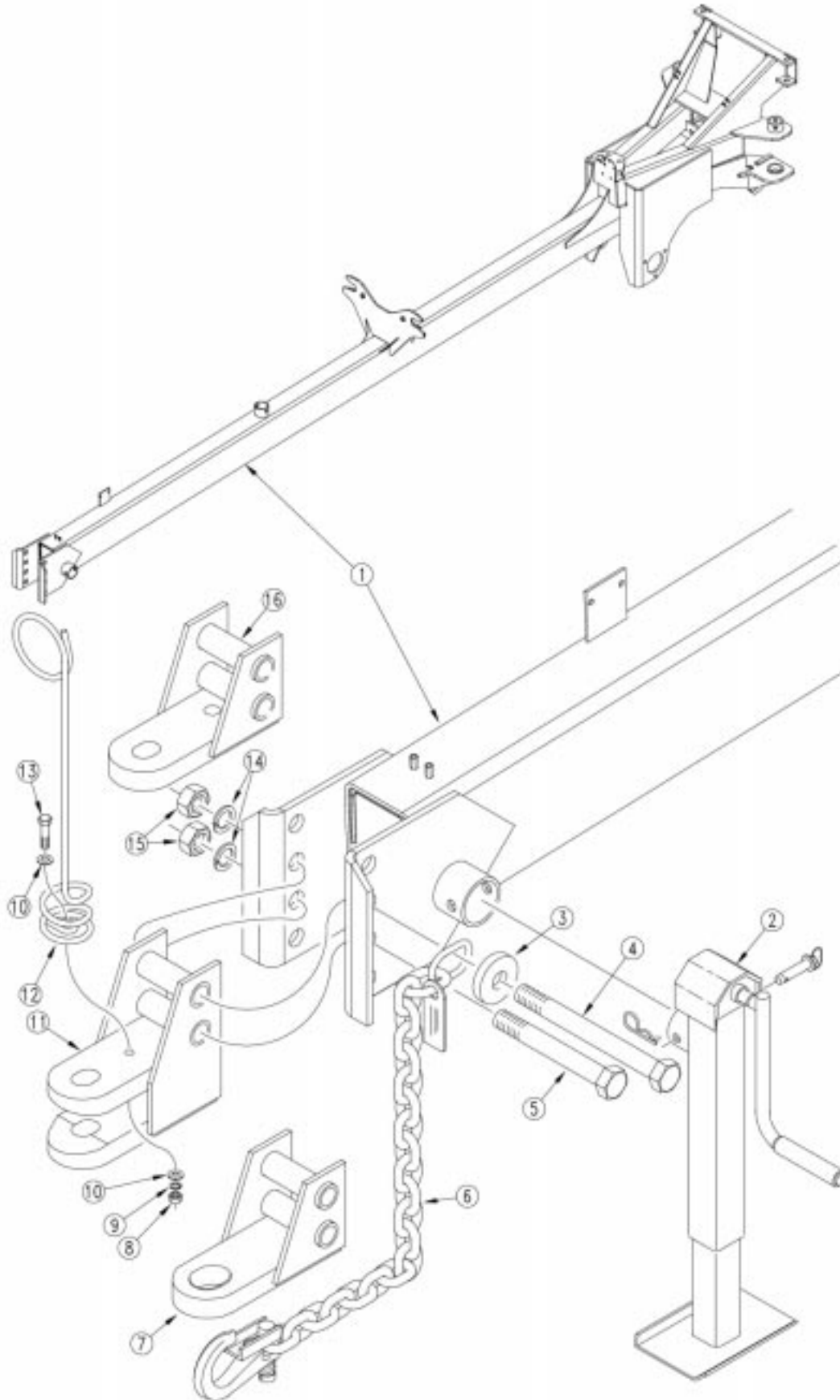
Part Number Index

<u>Part Number</u>	<u>Page</u>	<u>Part Number</u>	<u>Page</u>	<u>Part Number</u>	<u>Page</u>	<u>Part Number</u>	<u>Page</u>
810-428C	11-8	811-203C	11-26	811-677C	11-12	816-536C	9-8
810-429C	11-14	811-216C	11-16	811-677C	11-6	817-022C	10-18
810-429C	11-16	811-216C	11-8	811-677C	11-8	817-023C	10-18
810-432C	11-10	811-286C	11-10	811-695C	11-4	817-062C	10-14
810-432C	11-12	811-286C	11-12	811-697C	11-10	817-063C	10-14
810-432C	11-14	811-286C	11-12	811-697C	11-12	817-084C	10-10
810-432C	11-16	811-286C	11-14	811-697C	11-14	817-084C	10-14
810-432C	11-6	811-286C	11-16	811-697C	11-16	817-084C	10-18
810-432C	11-8	811-286C	11-16	811-697C	11-6	817-084C	10-2
810-554C	11-12	811-286C	11-6	811-697C	11-8	817-084C	10-6
810-554C	11-16	811-286C	11-8	811-698C	11-10	817-084C	9-2
810-554C	11-8	811-286C	11-8	811-698C	11-12	817-084C	9-6
811-021C	13-6	811-312C	11-10	811-698C	11-14	817-132C	9-2
811-021C	13-8	811-312C	11-12	811-698C	11-16	817-132C	9-6
811-035C	13-6	811-312C	11-14	811-698C	11-6	817-133C	9-2
811-035C	13-8	811-312C	11-16	811-698C	11-8	817-133C	9-6
811-044C	13-6	811-312C	11-6	811-796C	11-10	817-134C	9-10
811-171C	13-6	811-312C	11-8	811-796C	11-12	817-255C	13-16
811-171C	13-8	811-356C	11-6	811-796C	11-8	817-296C	10-6
811-281C	13-6	811-356C	11-8	812-236C	9-6	817-330C	10-2
811-281C	13-8	811-392C	11-4	812-245C	9-6	817-004C	6-10
811-293C	13-6	811-430C	11-12	812-236C	9-4	817-004C	6-12
811-293C	13-8	811-430C	11-16	812-236C	9-8	817-004C	6-14
811-315C	13-6	811-430C	11-8	814-010C	10-18	817-004C	6-4
811-579C	13-6	811-439C	11-14	814-023C	3-4	817-004C	6-6
811-579C	13-8	811-439C	11-16	814-031C	3-4	817-004C	6-8
811-580C	13-6	811-439C	11-4	814-034C	10-2	817-009C	5-32
811-580C	13-8	811-439C	11-6	814-067C	10-14	817-010C	5-32
811-061C	11-12	811-439C	11-8	814-157C	10-6	817-022C	10-20
811-061C	11-14	811-470C	11-2	814-174C	10-2	817-023C	10-20
811-061C	11-16	811-531C	11-14	814-008C	7-2	817-025C	8-10
811-061C	11-6	811-531C	11-16	814-008C	7-4	817-025C	8-14
811-061C	11-8	811-574C	11-2	814-010C	10-20	817-025C	8-16
811-064C	11-10	811-578C	11-10	814-026C	7-2	817-025C	8-26
811-064C	11-12	811-578C	11-12	814-026C	7-4	817-025C	8-28
811-064C	11-14	811-578C	11-14	814-034C	10-4	817-025C	8-6
811-064C	11-16	811-578C	11-16	814-067C	10-16	817-025C	8-8
811-064C	11-4	811-578C	11-6	814-157C	10-8	817-025C	8-8
811-064C	11-6	811-578C	11-8	814-158C	10-12	817-026C	5-32
811-064C	11-8	811-582C	11-14	814-174C	10-4	817-042C	5-8
811-065C	11-10	811-582C	11-16	815-089C	3-4	817-053C	5-20
811-065C	11-12	811-585C	11-10	815-090C	3-4	817-062C	10-16
811-065C	11-14	811-585C	11-12	815-094C	3-4	817-062C	10-16
811-065C	11-16	811-585C	11-14	816-014C	13-4	817-068C	6-10
811-065C	11-4	811-585C	11-16	816-035C	3-4	817-068C	6-12
811-065C	11-6	811-585C	11-6	816-173C	9-10	817-068C	6-14
811-065C	11-8	811-585C	11-8	816-239C	9-2	817-068C	6-4
811-118C	11-10	811-627C	11-10	816-239C	9-6	817-068C	6-6
811-118C	11-12	811-627C	11-12	816-265C	3-4	817-068C	6-8
811-118C	11-14	811-627C	11-14	816-007C	9-16	817-069C	6-10
811-118C	11-16	811-627C	11-16	816-012C	7-2	817-069C	6-12
811-118C	11-6	811-627C	11-6	816-012C	7-2	817-069C	6-14
811-118C	11-8	811-627C	11-8	816-012C	7-4	817-069C	6-4
811-140C	11-2	811-631C	11-10	816-035C	7-2	817-069C	6-6
811-169C	11-10	811-631C	11-12	816-035C	7-4	817-069C	6-8
811-169C	11-12	811-631C	11-14	816-112C	5-32	817-070C	6-10
811-170C	11-10	811-631C	11-14	816-113C	5-32	817-070C	6-10
811-170C	11-12	811-631C	11-16	816-138C	7-2	817-070C	6-12
811-170C	11-6	811-631C	11-16	816-138C	7-4	817-070C	6-4
811-170C	11-8	811-631C	11-6	816-173C	9-12	817-070C	6-6
811-171C	11-10	811-631C	11-8	816-239C	9-4	817-070C	6-8
811-171C	11-12	811-632C	11-10	816-239C	9-8	817-071C	6-10
811-171C	11-14	811-632C	11-14	816-241C	7-2	817-071C	6-12
811-171C	11-16	811-632C	11-6	816-241C	7-4	817-071C	6-14
811-171C	11-2	811-636C	11-14	816-278C	5-12	817-071C	6-4
811-171C	11-6	811-636C	11-16	816-291C	5-12	817-071C	6-6
811-171C	11-8	811-675C	11-14	816-292C	5-20	817-071C	6-6
811-183C	11-2	811-675C	11-16	816-302C	9-2	817-071C	6-8
811-193C	11-14	811-675C	11-4	816-302C	9-6	817-073C	6-10
811-193C	11-16	811-677C	11-10	816-358C	9-18	817-073C	6-12
				816-536C	9-4	817-073C	6-14
						817-073C	6-4

Part Number Index

Part Number	Page	Part Number	Page	Part Number	Page	Part Number	Page
817-073C	6-6	818-257C	12-2	822-119C	8-16		
817-073C	6-8	818-258C	12-2	822-119C	8-2		
817-074C	6-10	818-295C	12-2	822-119C	8-28		
817-074C	6-12	818-295C	5-22	822-119C	8-4		
817-074C	6-14	818-296C	12-2	822-119C	8-6		
817-074C	6-4	818-296C	5-22	822-119C	8-8		
817-074C	6-6	818-337C	12-2	822-126C	8-28		
817-074C	6-8	818-349C	12-2	822-170C	10-12		
817-075C	6-10	818-370C	12-2	822-170C	10-2		
817-075C	6-12	818-371C	12-2	822-170C	10-4		
817-075C	6-14	818-398C	12-2	822-170C	10-8		
817-075C	6-4	818-400C	12-2	823-175C	5-28		
817-075C	6-6	818-401C	12-2	823-190C	5-28		
817-075C	6-8	818-402C	12-2	838-102C	12-2		
817-084C	10-12	818-415C	12-2	838-169C	12-2		
817-084C	10-16	818-664C	12-2	838-265C	12-2		
817-084C	10-20	818-708C	12-2	838-266C	12-2		
817-084C	10-4	818-710C	12-2	838-267C	12-2		
817-084C	10-8	818-751C	12-2	838-482C	12-2		
817-084C	9-4	818-751C	7-2	841-077C	11-12		
817-084C	9-8	818-751C	7-4	890-018C	13-2		
817-086C	5-22	818-752C	12-2	890-068C	13-4		
817-087C	6-2	818-861C	12-2	890-466C	9-2		
817-111C	8-20	818-864C	12-2	890-466C	9-6		
817-111C	8-22	818-871C	12-2	890-026C	5-20		
817-191C	9-10	818-884C	12-2	890-183C	2-2		
817-202C	5-22	819-001C	6-2	890-190C	6-10		
817-296C	10-8	819-041C	5-32	890-190C	6-12		
817-297C	10-12	819-109C	6-2	890-190C	6-14		
817-308C	3-2	820-098C	13-4	890-190C	6-4		
817-314C	9-2	820-155C	9-2	890-190C	6-6		
817-314C	9-6	820-155C	9-6	890-190C	6-8		
817-321C	5-14	820-287C	9-4	890-193C	4-2		
817-322C	5-14	820-287C	9-8	890-221C	5-8		
817-323C	5-20	822-020C	3-4	890-305C	5-22		
817-324C	5-14	822-021C	3-4	890-308C	5-10		
817-328C	9-4	822-030C	13-4	890-311C	5-24		
817-328C	9-8	822-048C	3-4	890-313C	5-24		
817-328D	9-2	822-053C	3-4	890-349C	5-32		
817-328D	9-6	822-080C	13-4	890-350C	6-10		
817-330C	10-4	822-095C	10-14	890-350C	6-12		
817-347C	9-4	822-095C	10-18	890-350C	6-14		
817-347C	9-8	822-170C	10-6	890-350C	6-4		
817-349C	9-4	822-008C	6-2	890-350C	6-6		
817-349C	9-8	822-032C	8-10	890-350C	6-8		
817-350C	5-22	822-032C	8-12	890-350C	6-8		
817-423C	8-10	822-032C	8-14	890-430C	5-24		
817-423C	8-10	822-032C	8-16	890-610C	2-2		
817-423C	8-12	822-032C	8-2	890-634C	8-10		
817-423C	8-12	822-032C	8-26	890-634C	8-12		
817-423C	8-14	822-032C	8-28	890-634C	8-14		
817-423C	8-16	822-032C	8-4	890-634C	8-16		
817-423C	8-2	822-032C	8-6	CP2-10	11-24		
817-423C	8-2	822-032C	8-8				
817-423C	8-4	822-032C	8-8				
817-423C	8-4	822-083C	5-20				
817-423C	8-4	822-095C	10-16				
817-423C	8-6	822-095C	10-20				
817-423C	8-8	822-103C	6-10				
817-516C	5-8	822-103C	6-12				
817-688C	9-4	822-103C	6-14				
817-688C	9-8	822-103C	6-4				
817-697C	9-4	822-103C	6-6				
817-697C	9-8	822-103C	6-8				
818-752C	3-4	822-117C	7-2				
818-003C	12-2	822-117C	7-4				
818-019C	12-2	822-118C	7-2				
818-045C	12-2	822-118C	7-4				
818-078C	12-2	822-119C	8-10				
818-229C	12-2	822-119C	8-12				
818-230C	12-2	822-119C	8-14				

Hitch To Mainframe



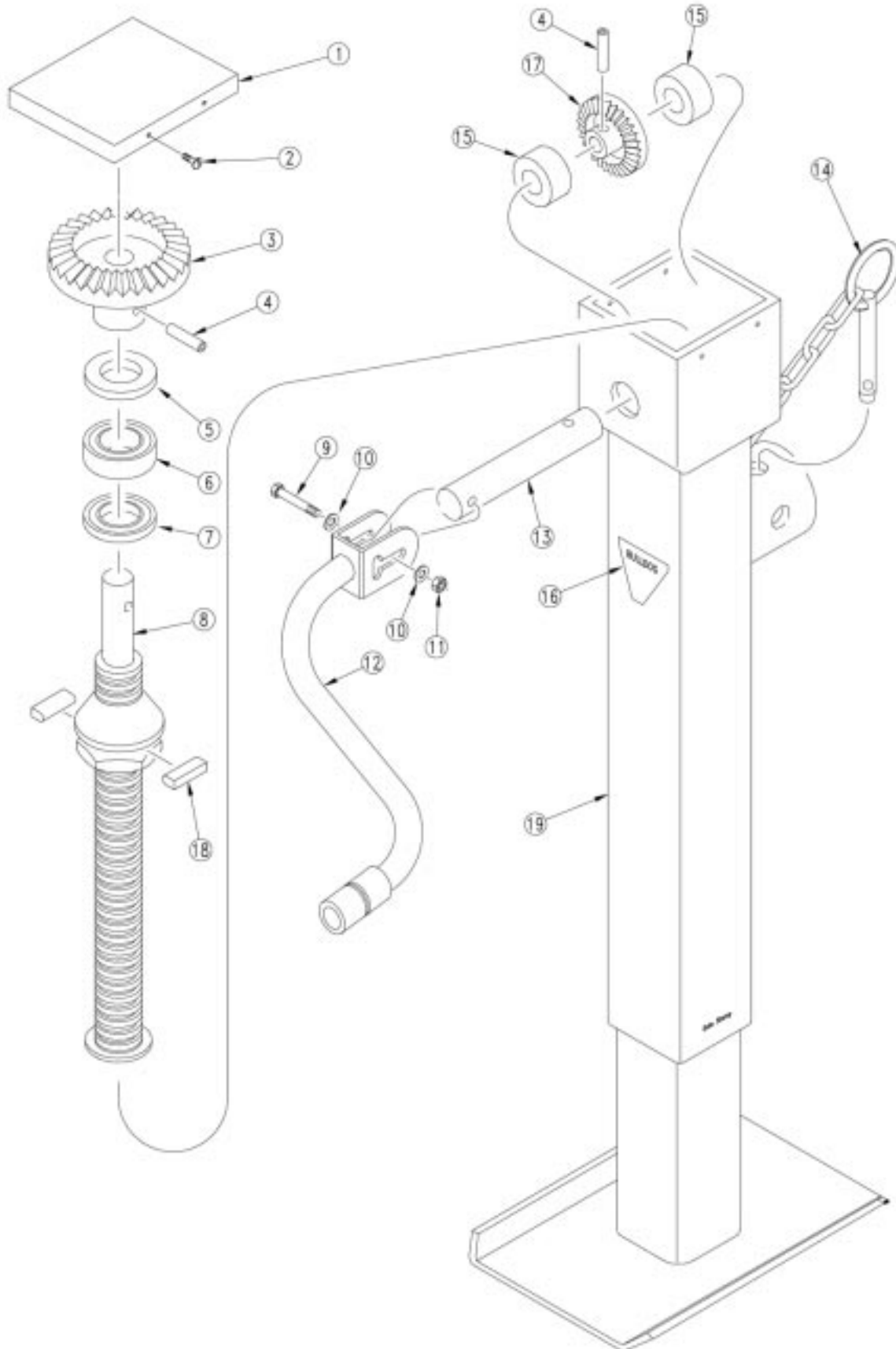
17231

Hitch To Mainframe

Ref.	Part No.	Part Description	Comments
1.	194-171H	2S-2600 TONGUE MAINFRAME WELDM	
2.	890-610C	SQ TB JACK 10000 LB 10 STROKE	Refer to page 2-3
3.	194-070D	SAFETY CHAIN WASHER	
4.	802-543C	HHCS 1 1/4-7X10 GR5 SPTH	
5.	802-544C	HHCS 1 1/4-7X9 GR5 SPTH	
6.	890-183C	SAFETY CHAIN 20000 LB	
7.	170-033H	SINGLE HITCH STRAP-LARGE	
8.	803-020C	NUT HEX 1/2-13 PLT	
9.	804-015C	WASHER LOCK SPRING 1/2 PLT	
10.	804-017C	WASHER FLAT 1/2 USS PLT	
11.	196-136H	CLEVIS HITCH WELDMNT	
12.	807-073C	SPRING HOSE LOOP HEAVY	
13.	802-039C	HHCS 1/2-13X3 GR5	
14.	804-030C	WASHER LOCK 1 1/4 SPRING PLT	
15.	803-034C	NUT HEX 1 1/4-7 PLT	
16.	170-034H	SINGLE HITCH STRAP-SMALL	

Legend: ● = 1st revision; ● = 2nd revision; ● = 3rd revision; ● = use up existing stock; ⊗ = not interchangeable; ⊗ ① ● = for example: revision 2 is not interchangeable w/revision 1

Rotating Square Hammerblow Jack (890-610C)



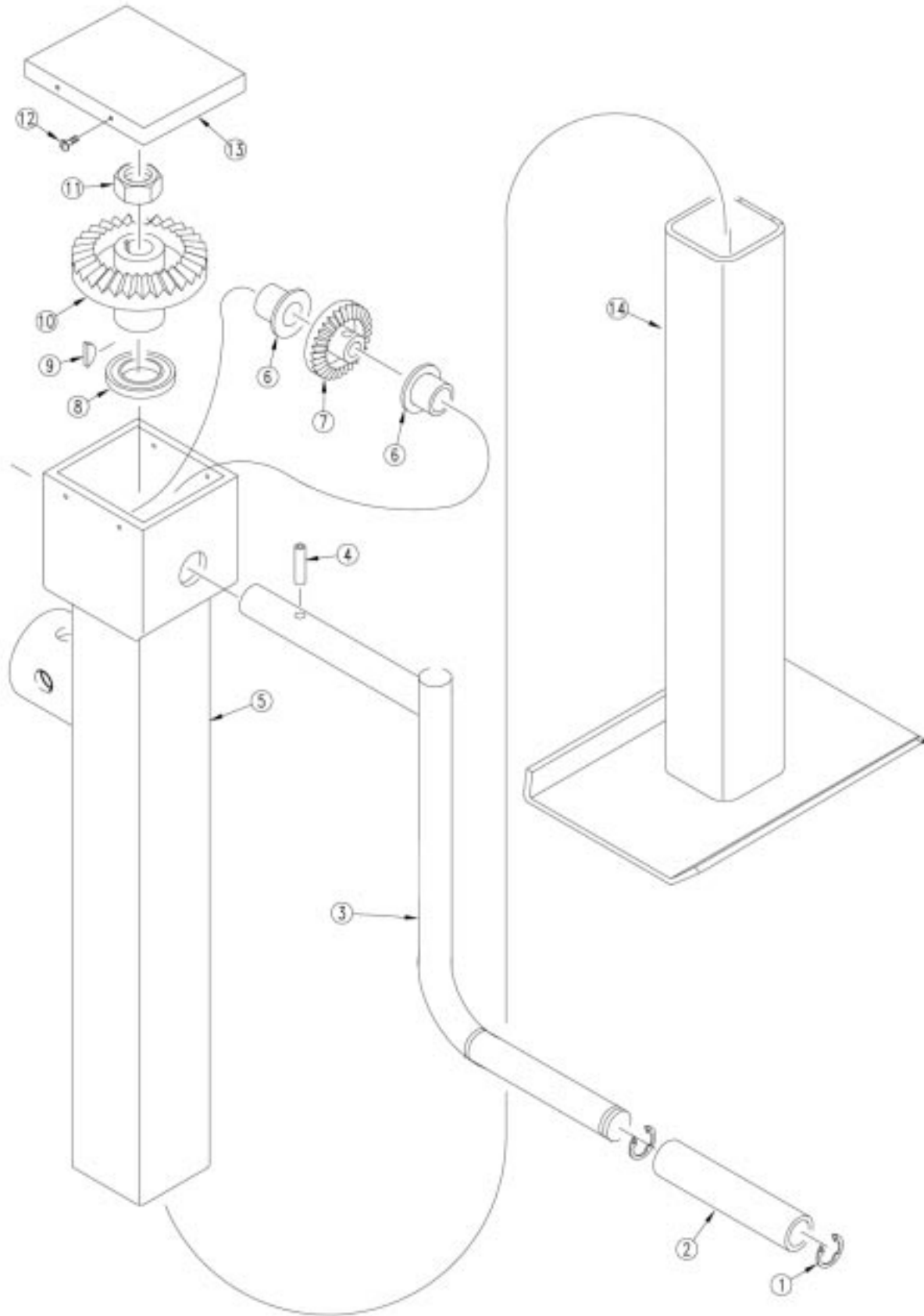
20213

Rotating Square Hammerblow Jack (890-610C)

Ref.	Part No.	Part Description	Comments
1.	017802	HB VIKING COVER	
2.	017806	HB COVER SCREW	
3.	020023	HB BEVEL GEAR	
4.	009062	HB GROOVE PIN .25 X 1.5	
5.	016053	HB WEAR PLATE	
6.	001015	HB THRUST BEARING	
7.	016048	HB BEARING SEAT	
8.	712205	HB SCREW & NUT ASSY	
9.	802-114C	HHCS 3/8-16X2 1/2 GR5	
10.	825-002C	WASHER FLAT 3/8	
11.	803-013C	NUT LOCK 3/8-16 PLT	
12.	701140	HB CRANK, NARROW CLEVIS	
13.	640069X	HB SWQ 180 FL-B-TSX W/O LABEL	
14.	006125	HB CROSS SHAFT	
15.	701029X	HB PIN & CHAIN ASSY	
16.	017012	HB BEARING SLEEVE	
17.	015796	HB BULLDOG 12000LB LABEL	
18.	020022	HB BEVEL GEAR PINION	
19.	009052	HB RETAINING PIN	

Legend: ① = 1st revision; ② = 2nd revision; ③ = 3rd revision; ● = use up existing stock; ⊗ = not interchangeable; ⊗ ① ② = for example: revision 2 is not interchangeable w/revision 1

Bulter Jack Assembly (890-610C)



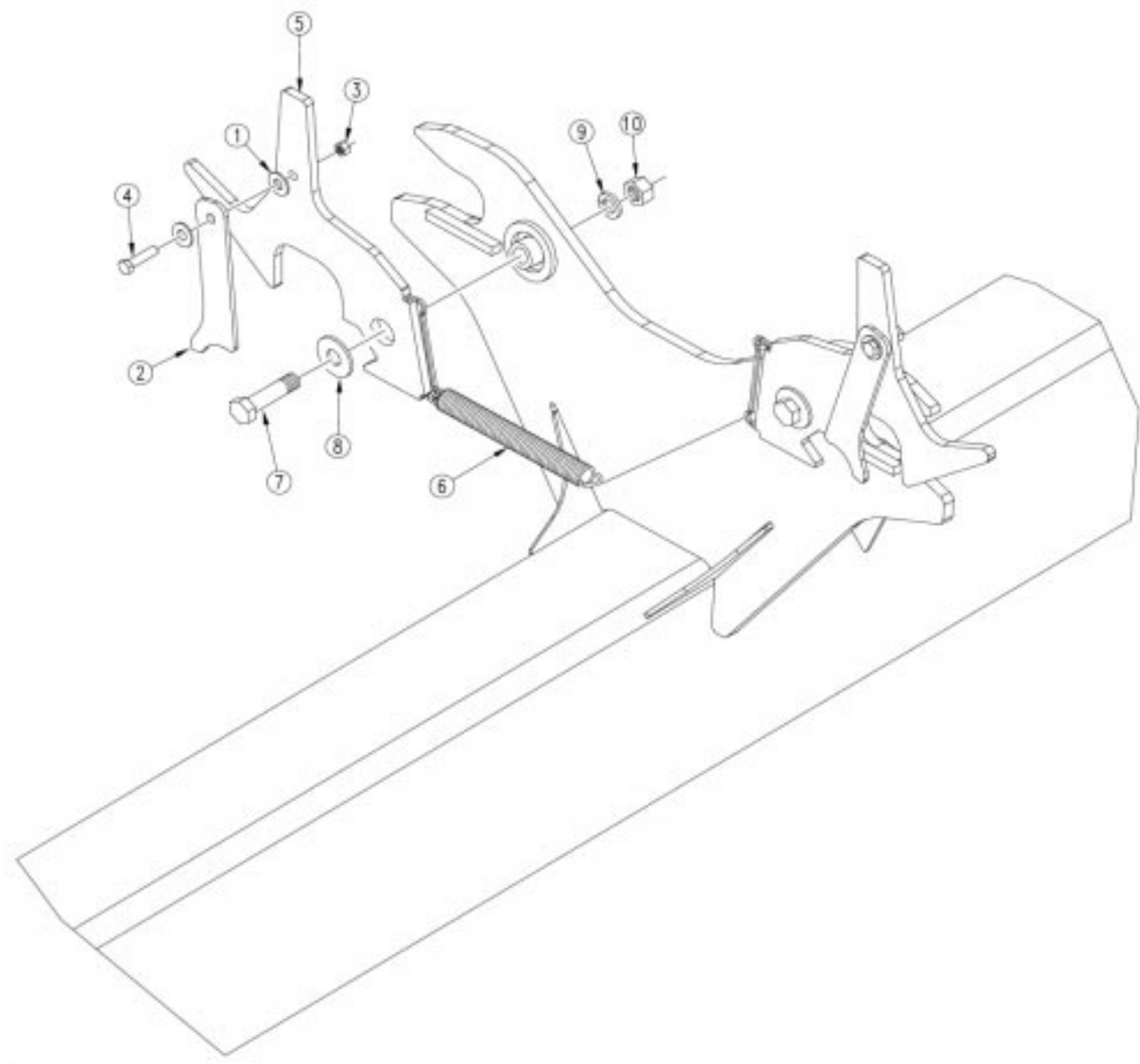
13324

Bulter Jack Assembly (890-610C)

Ref.	Part No.	Part Description	Comments
1.	10-80054	BUTLER GRIP CLIP	
2.	2H-30081	BUTLER PVC GRIP	
3.	2H-30080	BUTLER CRANK ASSEMBLY	
4.	10-80147	BUTLER GROOVE PIN	
5.	2H-200GP	BUTLER GEAR BOX	
6.	10-70020	BUTLER BUSHING	
7.	10-50058	BUTLER PINION GEAR	
8.	10-80012	BUTLER THRUST BEARING	
9.	800-046C	WOODRUFF KEY #606	
10.	10-50057	BUTLER BEVEL GEAR	
11.	10-80028	NUT HEX 7/8-14 LOCK	
12.	801-052C	SCR P.H. 8X3/8 TYPEB THD FORM	
13.	20-20028	BUTLER COVER	
14.	2H-300GP	BUTLER INNER LEG ASSEMBLY	

Legend: ① = 1st revision; ② = 2nd revision; ③ = 3rd revision; ● = use up existing stock; ⊗ = not interchangeable; ⊗ ① ② = for example: revision 2 is not interchangeable w/revision 1

Transport Latch



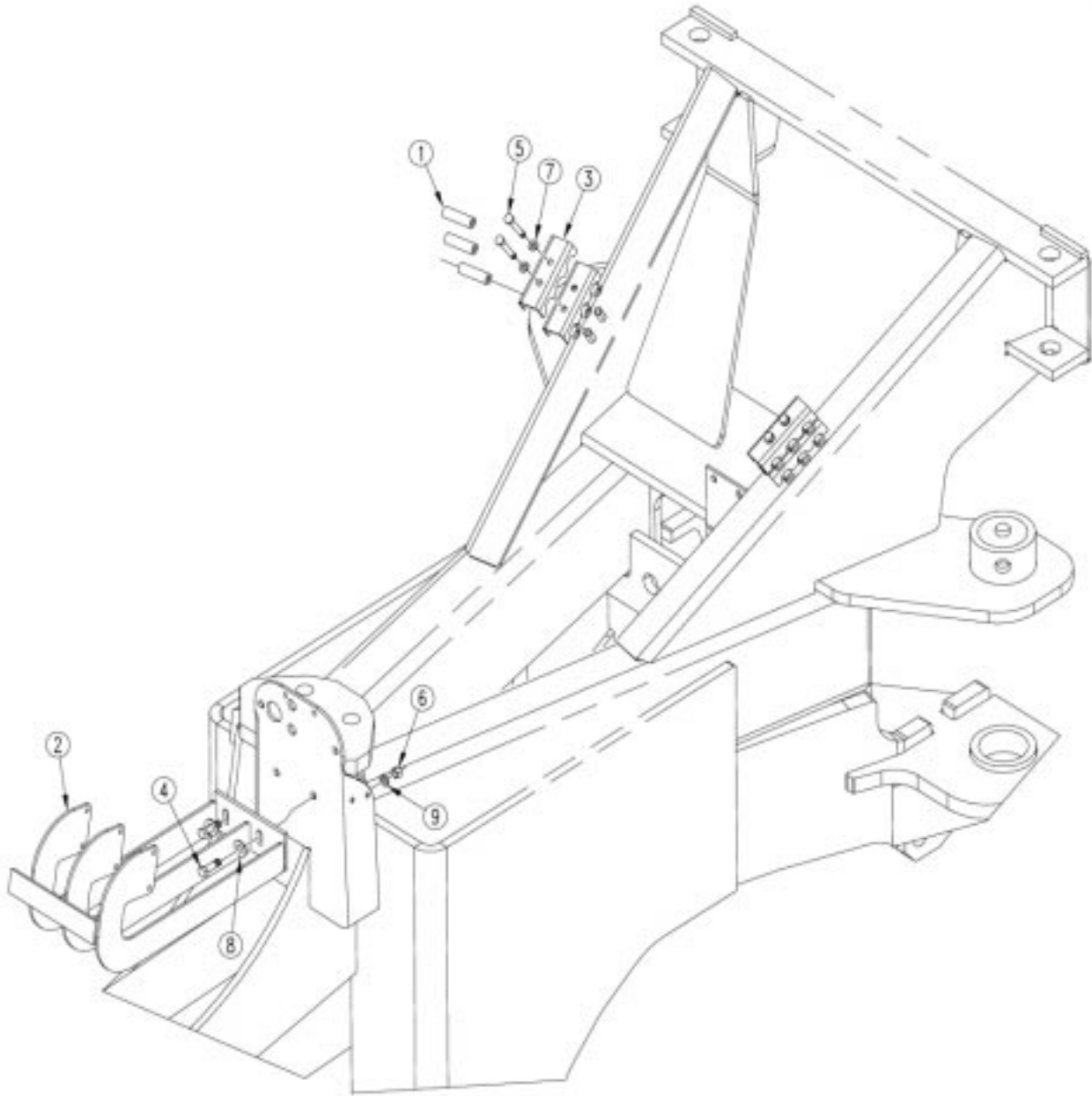
17232

Transport Latch

Ref.	Part No.	Part Description	Comments
1.	804-011C	WASHER FLAT 3/8 USS PLT	
2.	194-381D	LATCH PAWL	
3.	803-013C	NUT LOCK 3/8-16 PLT	
4.	802-079C	HHCS 3/8-16X1 1/4 GR5	
5.	194-167H	2S-2600 LATCH	
6.	807-177C	SPRING EXT 1 OD X .110 X 6.5	
7.	802-058C	HHCS 5/8-11X2 1/2 GR5	
8.	804-019C	WASHER FLAT 5/8 USS PLT	
9.	804-022C	WASHER LOCK SPRING 5/8 PLT	
10.	803-021C	NUT HEX 5/8-11 PLT	

Legend: ① = 1st revision; ② = 2nd revision; ③ = 3rd revision; ● = use up existing stock; ⊗ = not interchangeable; ⊗ ① ② = for example: revision 2 is not interchangeable w/revision 1

Mainframe (S/N DD 1079 +)



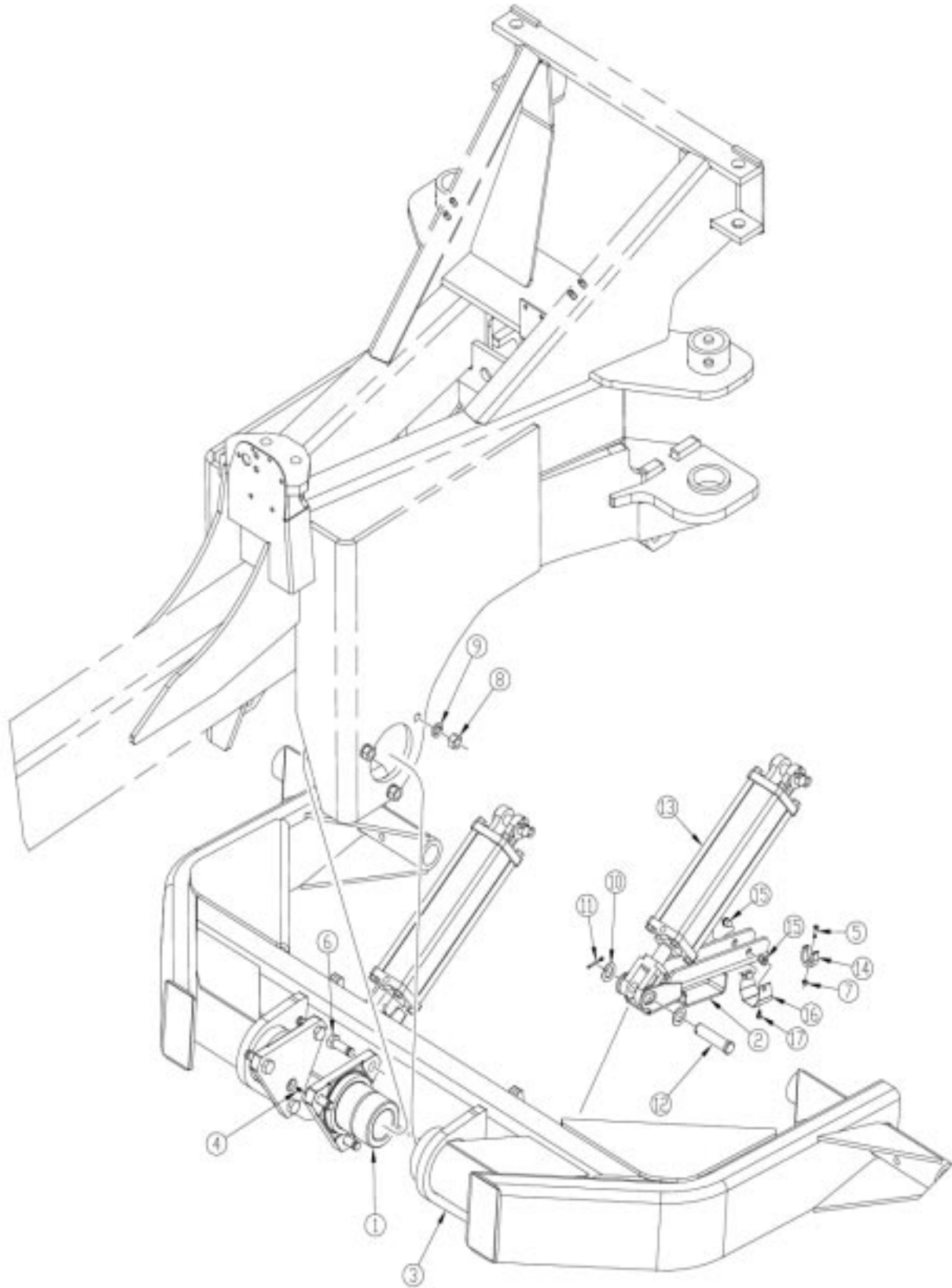
17233

Mainframe (S/N DD 1079 +)

Ref.	Part No.	Part Description	Comments
1.	113-370D	1/4 MARKER HYD HOSE GUARD	
2.	194-134H	VALVE MOUNT BRACKET	
3.	196-112D	HOSE CLAMP BRACKET	
4.	802-079C	HHCS 3/8-16X1 1/4 GR5	
5.	802-138C	HHCS 5/16-18X2 1/4 GR5	
6.	803-014C	NUT HEX 3/8-16 PLT	
7.	804-009C	WASHER LOCK SPRING 5/16 PLT	
8.	804-011C	WASHER FLAT 3/8 USS PLT	
9.	804-013C	WASHER LOCK SPRING 3/8 PLT	

Legend: ● = 1st revision; ● = 2nd revision; ● = 3rd revision; ● = use up existing stock; ⊗ = not interchangeable; ⊗ ① ● = for example: revision 2 is not interchangeable w/revision 1

Transport Axle To Mainframe



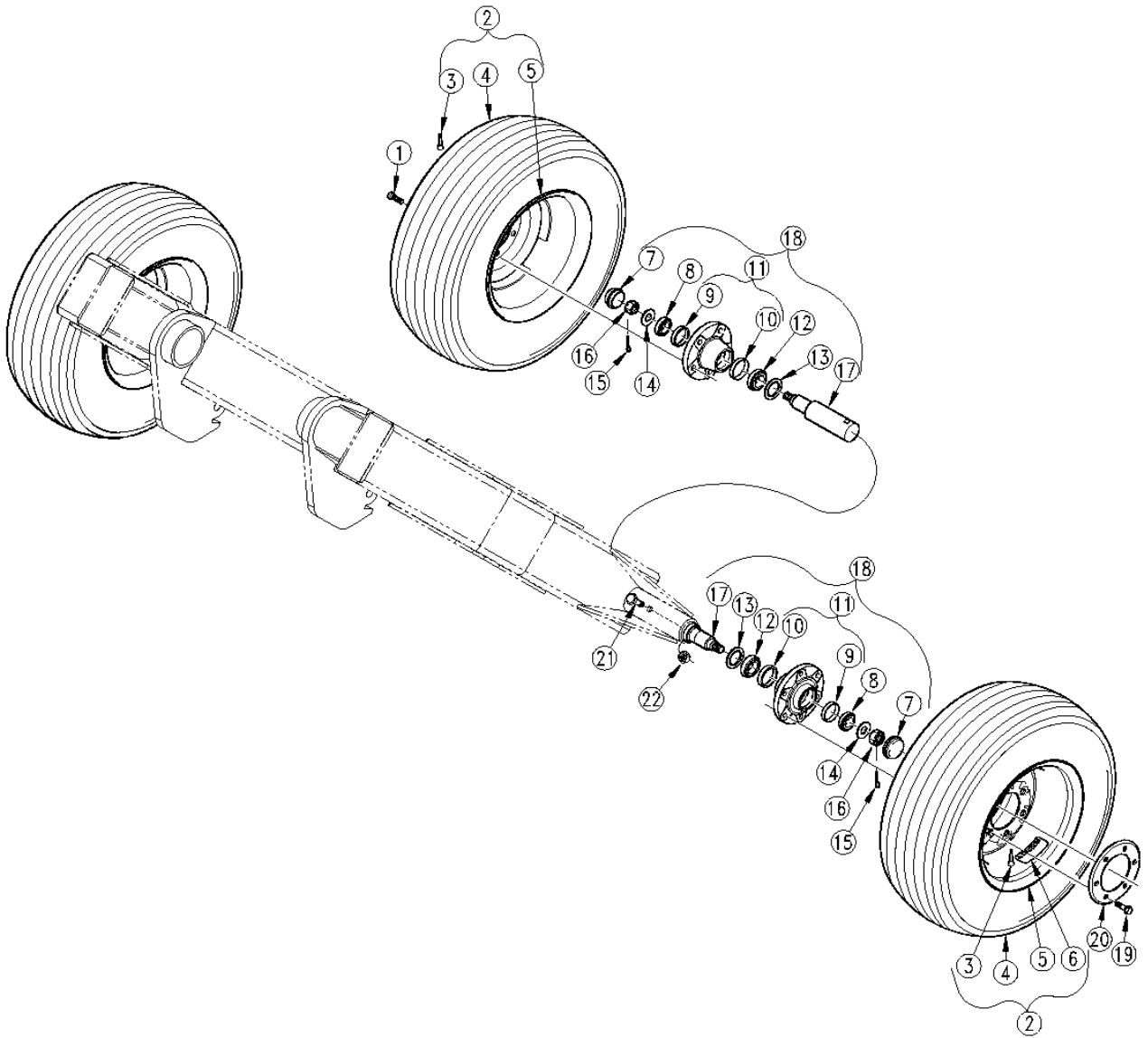
17234

Transport Axle To Mainframe

Ref.	Part No.	Part Description	Comments
1.	148-402D	3-BOLT PIVOT BUSH 4 1/2 ID TB	
2.	194-113H	TRANSPORT AXLE CYL LOCK	
3.	194-172H	2S-2600 TRANSPORT AXLE WELDM	
4.	800-001C	GREASE ZERK STRAIGHT 1/4-28	
5.	801-068C	FSHCS 1/4-20X1 PLT	
6.	802-212C	HHCS 3/4-10X2 1/2 GR5	
7.	803-006C	NUT HEX 1/4-20 PLT	
8.	803-027C	NUT HEX 3/4-10 PLT	
9.	804-023C	WASHER LOCK SPRING 3/4 PLT	
10.	804-082C	WASHER MACH 1.75 X 1.00 X 18GA	
11.	805-104C	PIN COTTER 3/16 X 1 1/2 PLT	
12.	805-124C	PIN CLEVIS 1 X 3 11/16 GR5 PLT	
13.	810-316C	CYL 3.5X12X1.25 ROD (TIE ROD)	Refer to page 11-17 for breakdown.
14.	817-308C	PLASTIC CLIP	
15.	194-402D	PLASTIC CYL LOCK BUMPER	
16.	194-401D	LOCK SPRING CLIP	
17.	802-283C	HHCS 1/4-20X1/2 GR2	

Legend: ● = 1st revision; ● = 2nd revision; ● = 3rd revision; ● = use up existing stock; ⊗ = not interchangeable; ⊗ ① ● = for example: revision 2 is not interchangeable w/revision 1

Transport Tires & Hub



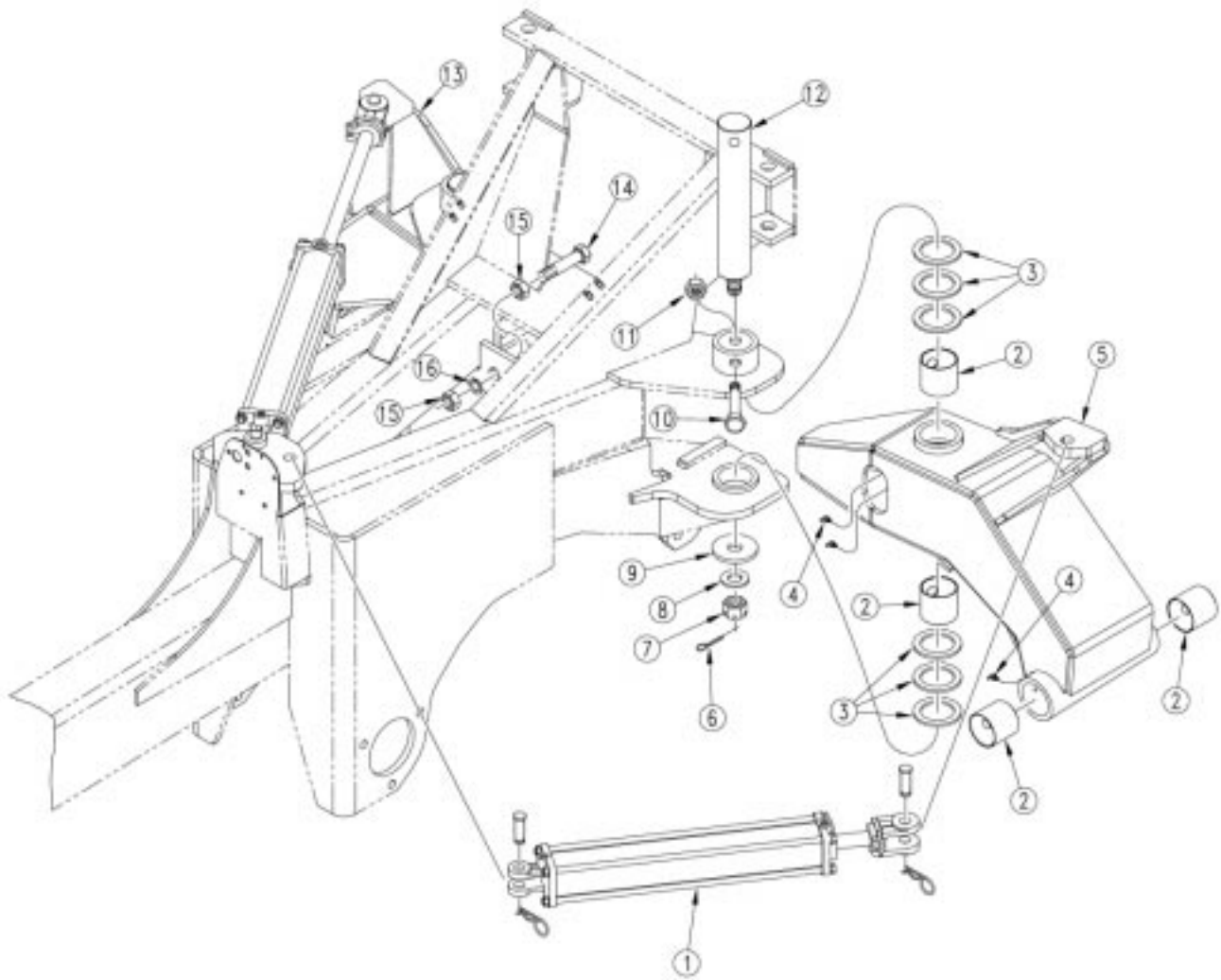
17235

Transport Tires & Hub

Ref.	Part No.	Part Description	Comments
1.	802-104C	BOLT WHEEL 1/2-20X1 90-DEG	
2.	155-012K	TRANSPORT WHEEL & TIRE ASSY	Includes items 3 through 6
3.	816-035C	VALVE STEM TR415X.625X1 1/4 LG	
4.	814-031C	TIRE 11L-15SL 12 PLY TUBELESS	
5.	814-023C	WHEEL 15 DIA X 10 WIDE X 6 BLT	
6.	818-752C	DECAL CAUTION TIRE 52 PSI	
7.	200-001D	HUB GREASE CAP	
8.	822-021C	BEARING CONE LM-67048	
9.	822-020C	BEARING CUP LM-67010	
10.	822-053C	BEARING CUP #LM 501310	
11.	815-094C	HUB 6 BOLT 4570# W/CUPS PAINTD	Includes items 9 & 10
12.	822-048C	BEARING CONE #LM 501349	
13.	816-265C	SEAL 1.875 ID X 3.00 OD QDS	
14.	181-064D	7/8 SPINDLE WASHER, HARDENED	
15.	805-016C	PIN COTTER 3/16 X 1 1/4 PLT	
16.	803-029C	NUT HEX SLOTTED 7/8-14 PLT	
17.	815-089C	SPINDLE SGL 1.98X11.00	
18.	815-090C	HUB & SPINDLE 6 BOLT 4570 LB	Includes items 7 through 17
19.	802-399C	HFS 1/2-20X1 1/2 GR5	
20.	152-215D	WHEEL REINFORCING RING	Only on outside dual gauge wheels
21.	802-153C	HHCS 5/8-11X3 3/4 GR5	
22.	803-024C	NUT LOCK 5/8-11 PLT	

Legend: ● = 1st revision; ● = 2nd revision; ● = 3rd revision; ● = use up existing stock; ⊗ = not interchangeable; ⊗ ① ● = for example: revision 2 is not interchangeable w/revision 1

Toolbar To Mainframe



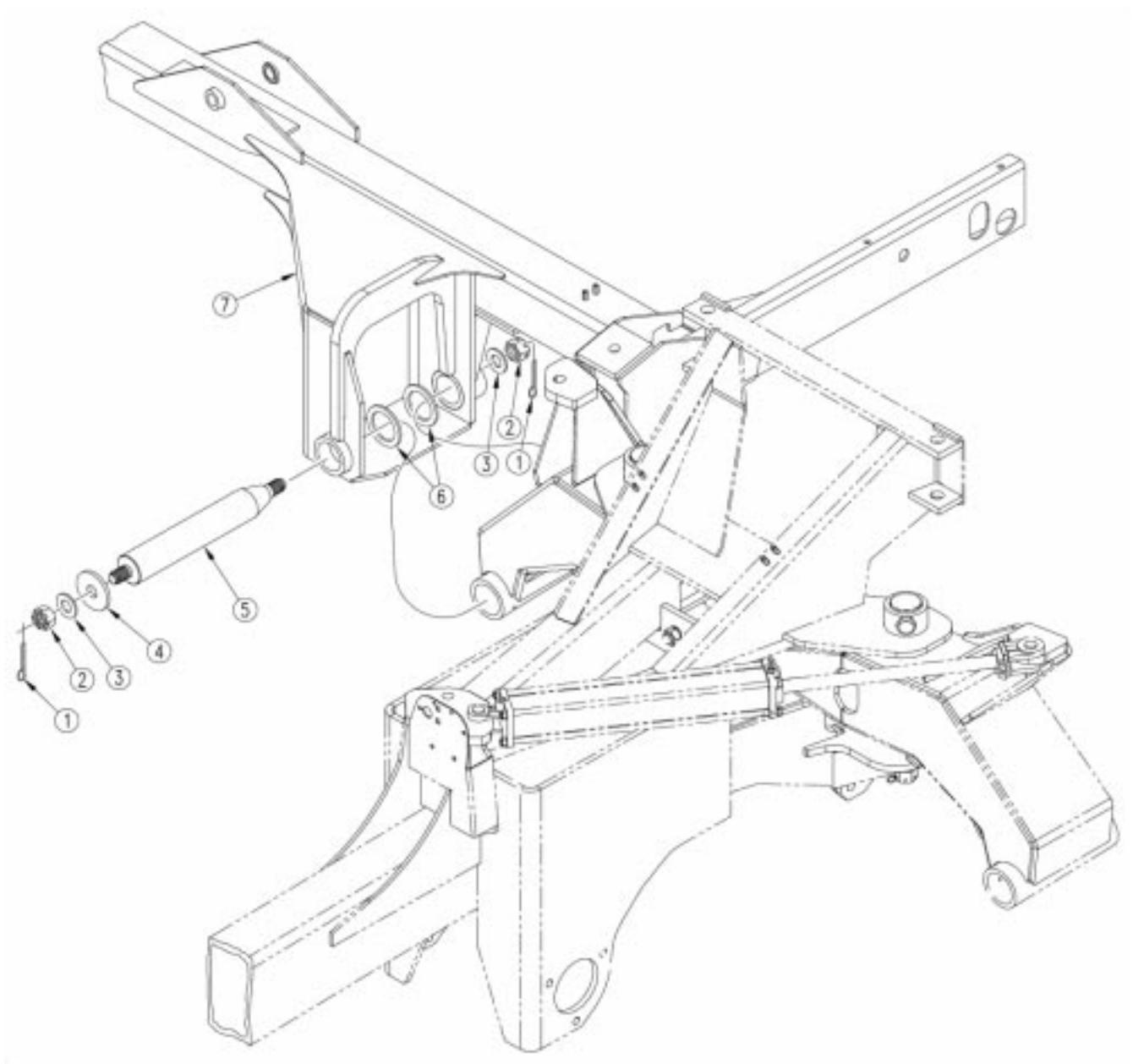
17236

Toolbar To Mainframe

Ref.	Part No.	Part Description	Comments
1.	810-298C	CYL 3.5X20X1.5 ROD (TIE ROD)	Refer to page 11-13
2.	890-193C	STEEL BUSHING 3 1/4X3IDX3LONG	
3.	194-270D	TOOLBAR SPACER WASHER	
4.	800-073C	GREASE ZERK 1/4-28 X 90-DEG	
5.	194-163H	2S-2600 TOOLBAR LH	
6.	805-085C	PIN COTTER 5/16 X 2 1/2	
7.	803-079C	NUT HEX SLOTTED 1 1/4 - 7	
8.	804-035C	WASHER FLAT 1 1/4 USS PLT	
9.	197-001D	BOX HINGE PIVOT WASHER	
10.	802-178C	HHCS 7/8-9X5 1/2 GR5	
11.	803-028C	NUT NY-LOK 7/8-9 PLT	
12.	194-268D	TOOLBAR VERTICAL PIVOT PIN	
13.	194-164H	2S-2600 TOOLBAR RH	
14.	802-426C	HHCS 1 1/4-7X3 1/2 GR5	
15.	803-032C	NUT HEX JAM 1 1/4-7 PLT	
16.	804-030C	WASHER LOCK 1 1/4 SPRING PLT	

Legend: ● = 1st revision; ● = 2nd revision; ● = 3rd revision; ● = use up existing stock; ⊗ = not interchangeable; ⊗ ① ● = for example: revision 2 is not interchangeable w/revision 1

Toolbar Pivots To Box Frames



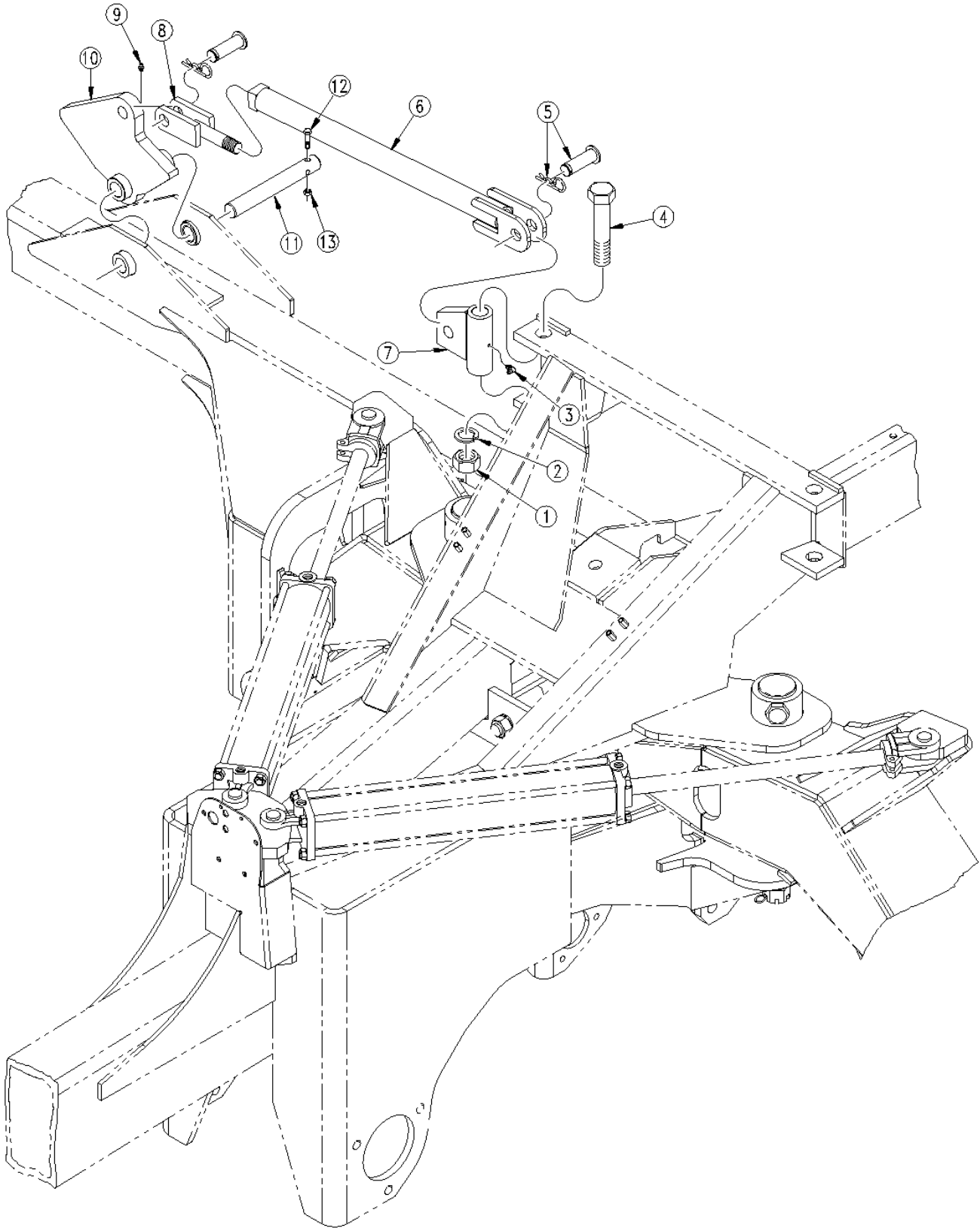
17237

Toolbar Pivots To Box Frames

Ref.	Part No.	Part Description	Comments
1.	805-085C	PIN COTTER 5/16 X 2 1/2	
2.	803-079C	NUT HEX SLOTTED 1 1/4 - 7	
3.	804-035C	WASHER FLAT 1 1/4 USS PLT	
4.	197-001D	BOX HINGE PIVOT WASHER	
5.	194-269D	TOOLBAR HORIZONTAL PIVOT PIN	
6.	194-270D	TOOLBAR SPACER WASHER	
7.	194-161H	2S-2600 RH WING FRAME	Shown
	194-160H	2S-2600 LH WING FRAME	

Legend: ① = 1st revision; ② = 2nd revision; ③ = 3rd revision; ● = use up existing stock; ⊗ = not interchangeable; ⊗ ① ② = for example: revision 2 is not interchangeable w/revision 1

Flex Limiter



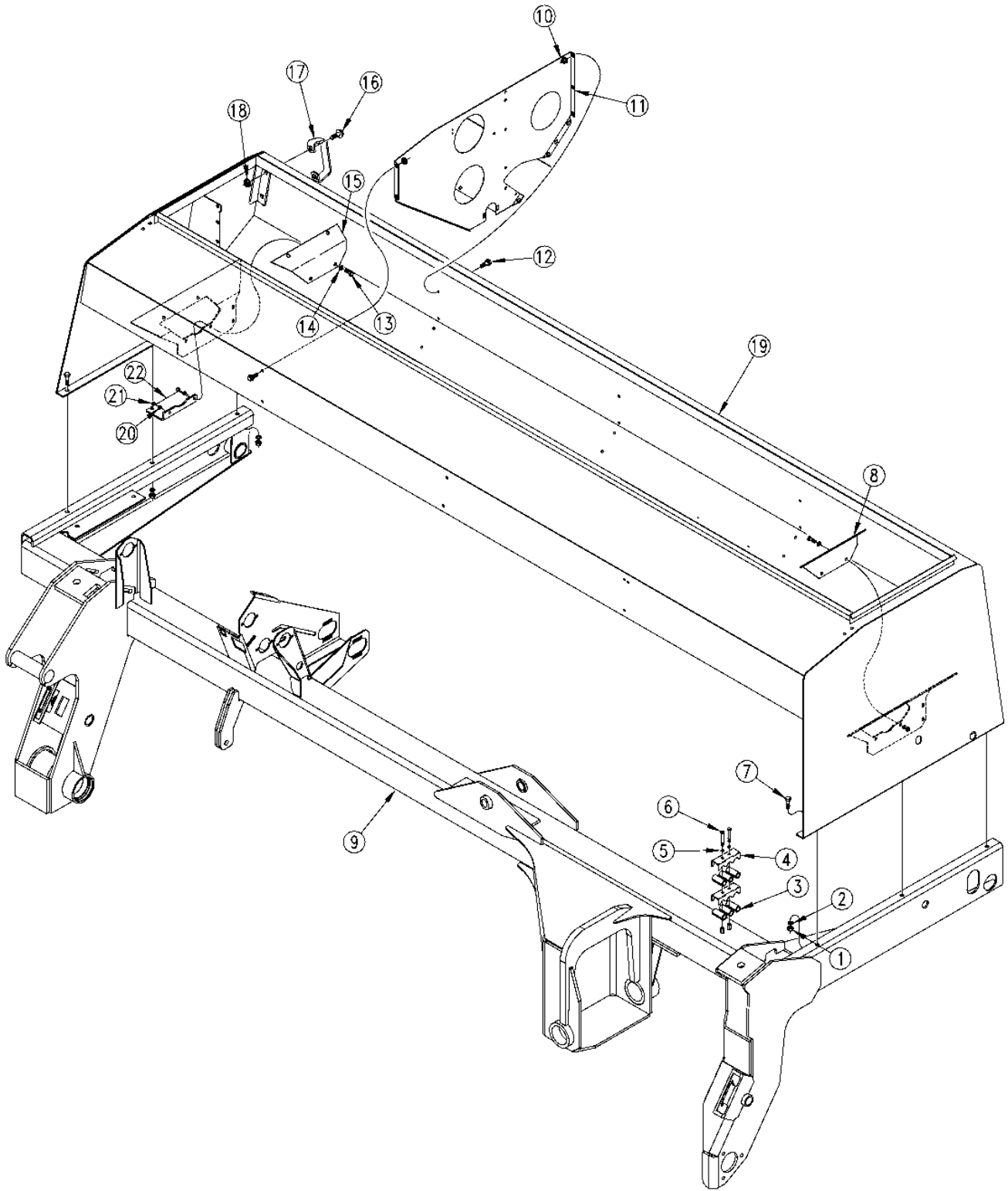
17239

Flex Limiter

Ref.	Part No.	Part Description	Comments
1.	803-034C	NUT HEX 1 1/4-7 PLT	
2.	804-030C	WASHER LOCK 1 1/4 SPRING PLT	
3.	800-073C	GREASE ZERK 1/4-28 X 90-DEG	
4.	802-544C	HHCS 1 1/4-7X9 GR5 SPTH	
5.	805-004C	PIN CLEVIS 1 X 2 3/4 USABLE LG	
6.	194-152H	ADJUSTMENT LINK TUBE	
7.	194-158H	FLEX CONTROL UPPER PIVOT LUG	
8.	194-157H	CLEVIS, 1 PIN DIA X 1-8 RH THD	
9.	800-001C	GREASE ZERK STRAIGHT 1/4-28	
10.	194-162H	WING FLEX LIMIT LUG RH	Shown
	194-154H	WING FLEX LIMIT LUG LH	
11.	401-154D	PIN 1 1/4 TOP CYLINDER WING	
12.	802-114C	HHCS 3/8-16X2 1/2 GR5	
13.	803-013C	NUT LOCK 3/8-16 PLT	

Legend: ● = 1st revision; ● = 2nd revision; ● = 3rd revision; ● = use up existing stock; ⊗ = not interchangeable; ⊗ ① ● = for example: revision 2 is not interchangeable w/revision 1

Box To Box Frame



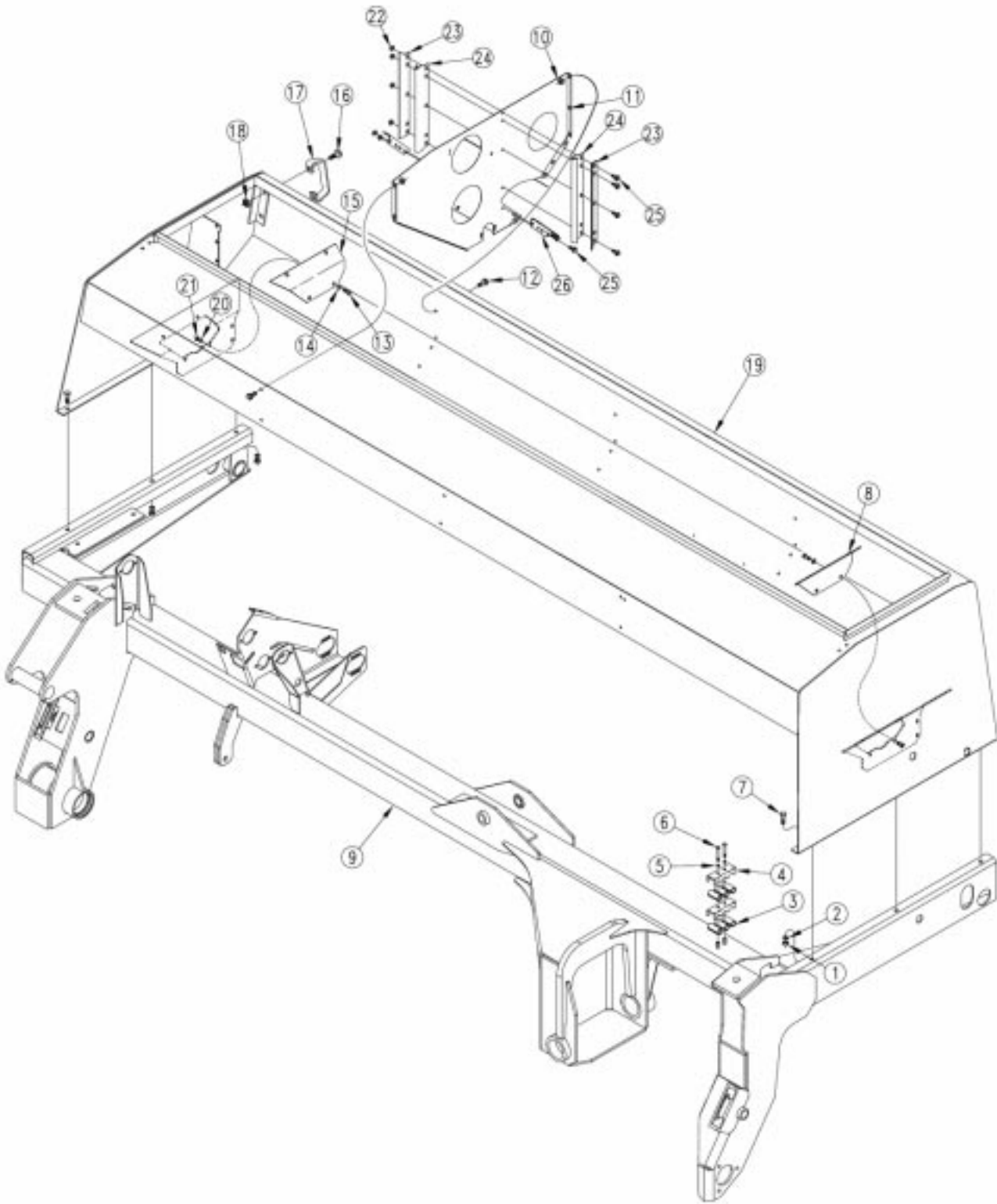
17238

Box To Box Frame

Ref.	Part No.	Part Description	Comments
1.	803-020C	NUT HEX 1/2-13 PLT	
2.	804-015C	WASHER LOCK SPRING 1/2 PLT	
3.	113-370D	1/4 MARKER HYD HOSE GUARD	
4.	196-112D	HOSE CLAMP BRACKET	
5.	804-009C	WASHER LOCK SPRING 5/16 PLT	
6.	802-138C	HHCS 5/16-18X2 1/4 GR5	
7.	802-034C	HHCS 1/2-13X1 1/4 GR5	
8.	195-101D	INTERIOR ENDPANEL COVER LH	
9.	194-160H	2S-2600 LH WING FRAME	
	194-161H	2S-2600 RH WING FRAME	Shown
10.	803-199C	NUT HEX FLANGE 5/16-18 PLT	
11.	195-100D	3S BOX PARTITION	
12.	802-387C	HFS 5/16-18X3/4 GR5	
13.	802-079C	HHCS 3/8-16X1 1/4 GR5	
14.	804-011C	WASHER FLAT 3/8 USS PLT	
15.	195-102D	INTERIOR ENDPANEL COVER RH	
16.	802-203C	HFSS 1/2-13X1 1/2 GR5	
17.	119-190D	HANDLE	
18.	803-169C	NUT HEX FLG. LOCK 1/2-13 PLT.	
19.	175-145H	13' EW SEED BOX	
20.	804-013C	WASHER LOCK SPRING 3/8 PLT	
21.	803-014C	NUT HEX 3/8-16 PLT	
22.	148-613D	1000 WIRING SUPPORT ANGLE	

Legend: ● = 1st revision; ● = 2nd revision; ● = 3rd revision; ● = use up existing stock; ⊗ = not interchangeable; ⊗ ① ● = for example: revision 2 is not interchangeable w/revision 1

Box To Box Frame Fertilizer



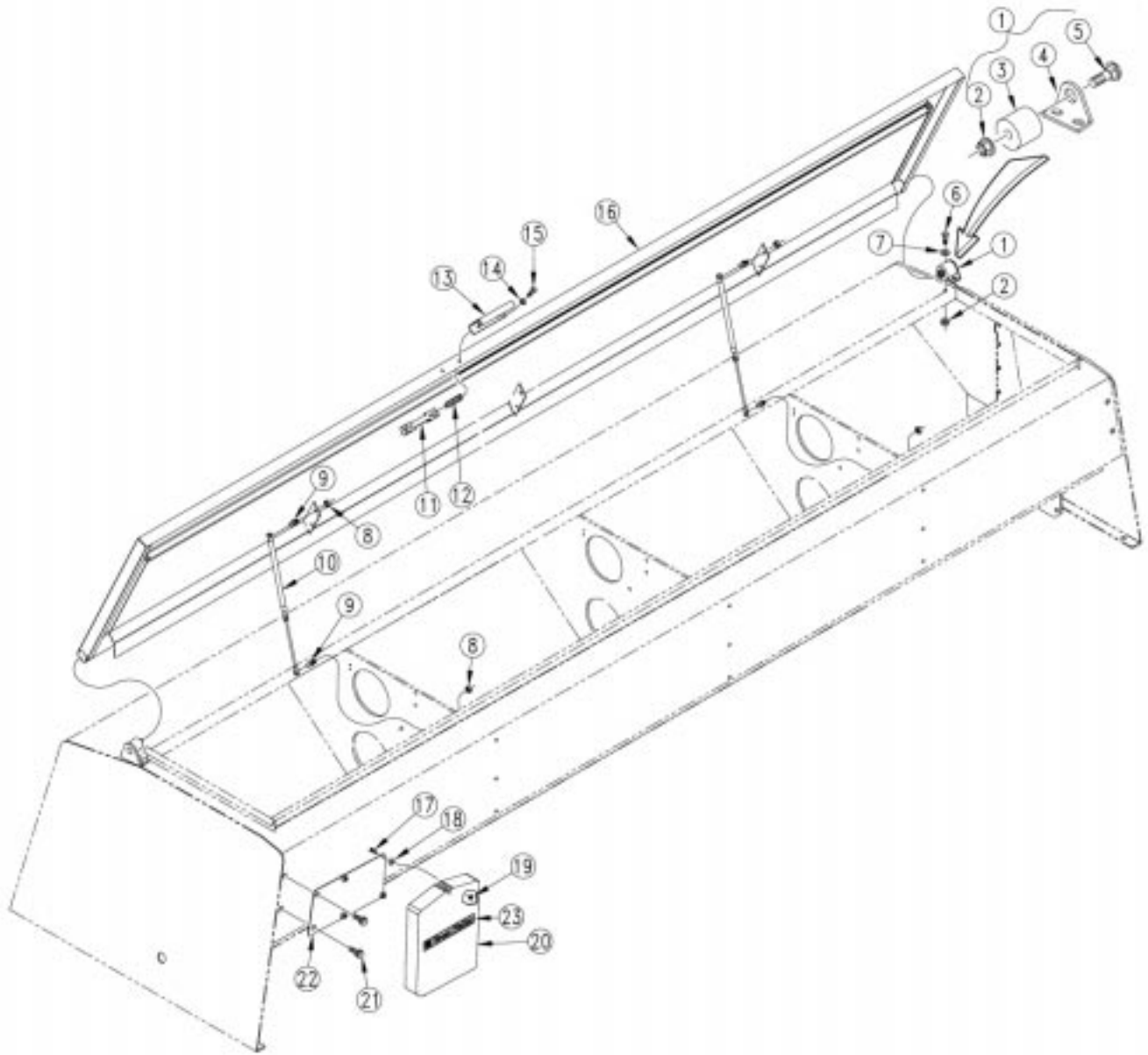
19311

Box To Box Frame Fertilizer

Ref.	Part No.	Part Description	Comments
1.	803-020C	NUT HEX 1/2-13 PLT	
2.	804-015C	WASHER LOCK SPRING 1/2 PLT	
3.	113-370D	1/4 MARKER HYD HOSE GUARD	
4.	196-112D	HOSE CLAMP BRACKET	
5.	804-009C	WASHER LOCK SPRING 5/16 PLT	
6.	802-138C	HHCS 5/16-18X2 1/4 GR5	
7.	802-034C	HHCS 1/2-13X1 1/4 GR5	
8.	195-101D	INTERIOR ENDPANEL COVER LH	
9.	194-160H	2S-2600 LH WING FRAME	
	194-161H	2S-2600 RH WING FRAME	Shown.
10.	803-199C	NUT HEX FLANGE 5/16-18 PLT	
11.	195-100D	3S BOX PARTITION	
12.	802-387C	HFS 5/16-18X3/4 GR5	
13.	802-079C	HHCS 3/8-16X1 1/4 GR5	
14.	804-011C	WASHER FLAT 3/8 USS PLT	
15.	195-102D	INTERIOR ENDPANEL COVER RH	
16.	802-203C	HFSS 1/2-13X1 1/2 GR5	
17.	119-190D	HANDLE	
18.	803-169C	NUT HEX FLG. LOCK 1/2-13 PLT.	
19.	175-219H	2600 SEED BOX	
20.	804-013C	WASHER LOCK SPRING 3/8 PLT	
21.	803-014C	NUT HEX 3/8-16 PLT	
22.	803-177C	NUT HEX LOCK 5/16-18 FLG.	
23.	195-207D	DIVIDER CLIP OUTER	
24.	195-206D	DIVIDER CLIP INNER	
25.	802-442C	HFSS 5/16-18X1 1/4	
26.	195-205D	DIVIDER ANGLE BRACKET	

Legend: ● = 1st revision; ● = 2nd revision; ● = 3rd revision; ● = use up existing stock; ⊗ = not interchangeable; ⊗ ① ● = for example: revision 2 is not interchangeable w/revision 1

Lid To Box



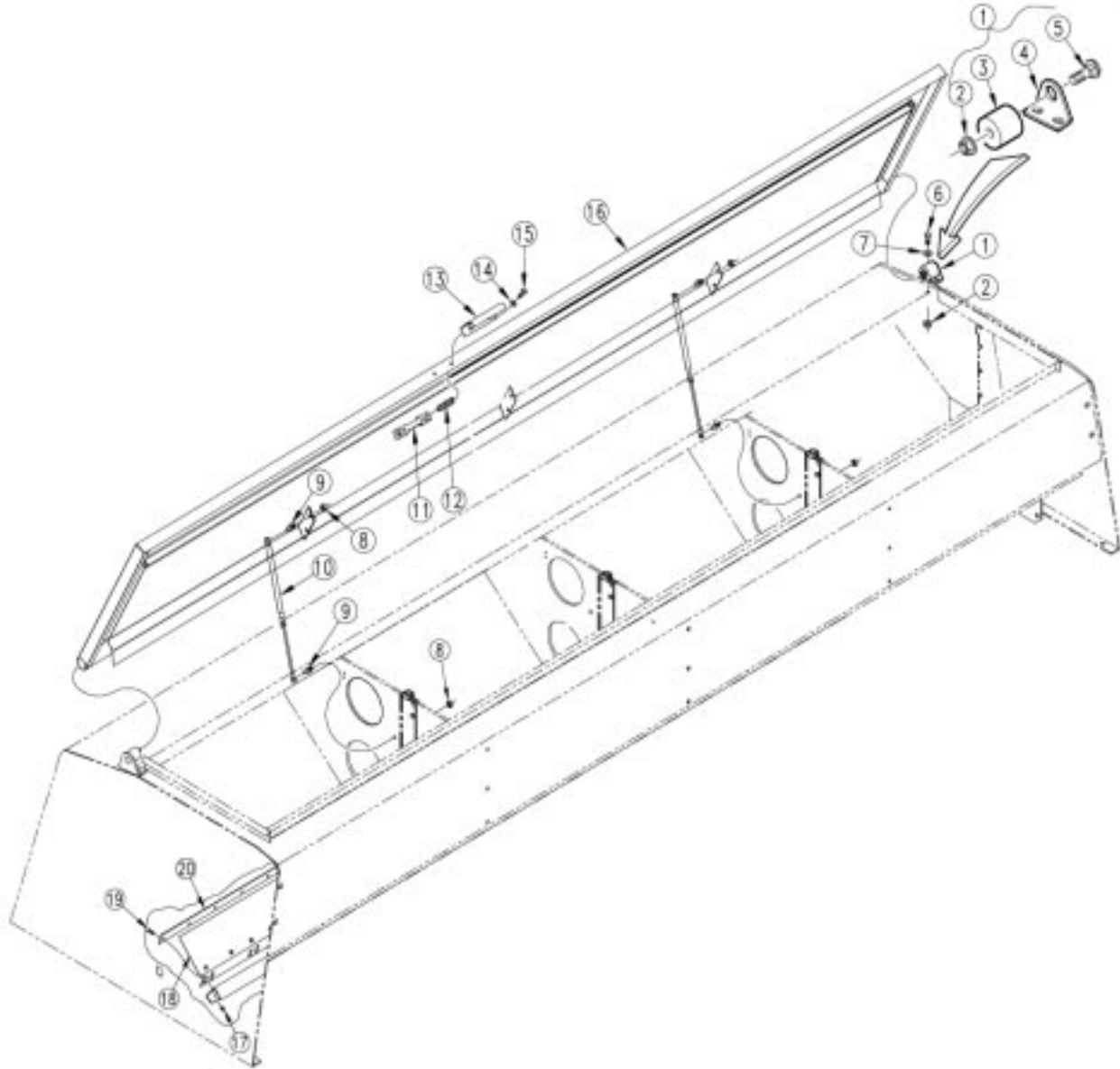
17255

Lid To Box

Ref.	Part No.	Part Description	Comments
1.	175-180S	13' EW LID HINGE ASSEMBLY	
2.	803-209C	NUT FLANGE LOCK 3/8-16 PLT	
3.	313-186D	LID HINGE PIVOT	
4.	313-176D	LID HINGE BASE PLATE	
5.	802-411C	RHSNB 3/8-16X2 GR5	
6.	802-017C	HHCS 3/8-16X1 GR5	
7.	804-011C	WASHER FLAT 3/8 USS PLT	
8.	803-011C	NUT LOCK 5/16-18 PLT	
9.	800-121C	BALL STUD 10MM X 5/16-18 UNC	
10.	890-221C	12-20 x 90 LB GAS SPRING	
11.	119-153D	LATCH CASTING MACHINED	
12.	807-106C	SPRING .540 O.D.X 1 1/4 X.054W	
13.	119-154D	LID HANDLE	
14.	804-036C	WASHER FLAT 5/16 SAE PLT	
15.	802-425C	HHCS 5/16-18X1 1/4 NYL	
16.	175-146H	13' EW SEED BOX LID	
17.	802-004C	HHCS 1/4-20X3/4 GR5	
18.	817-042C	MINI END WHEEL PRESS WHEEL	
19.	803-293C	NUT HEX FLNG T-LOCK 1/4-20 PLT	
20.	817-516C	MANUAL PAK 1" W/ GASKET	
21.	802-203C	HFSS 1/2-13X1 1/2 GR5	
22.	248-251D	MANUAL PAK MOUNTING PLATE	
23.	838-482C	DECAL GP PLANTING COMPONENTS	

Legend: ● = 1st revision; ● = 2nd revision; ● = 3rd revision; ● = use up existing stock; ⊗ = not interchangeable; ⊗ ① ● = for example: revision 2 is not interchangeable w/revision 1

Lid To Box Fertilizer



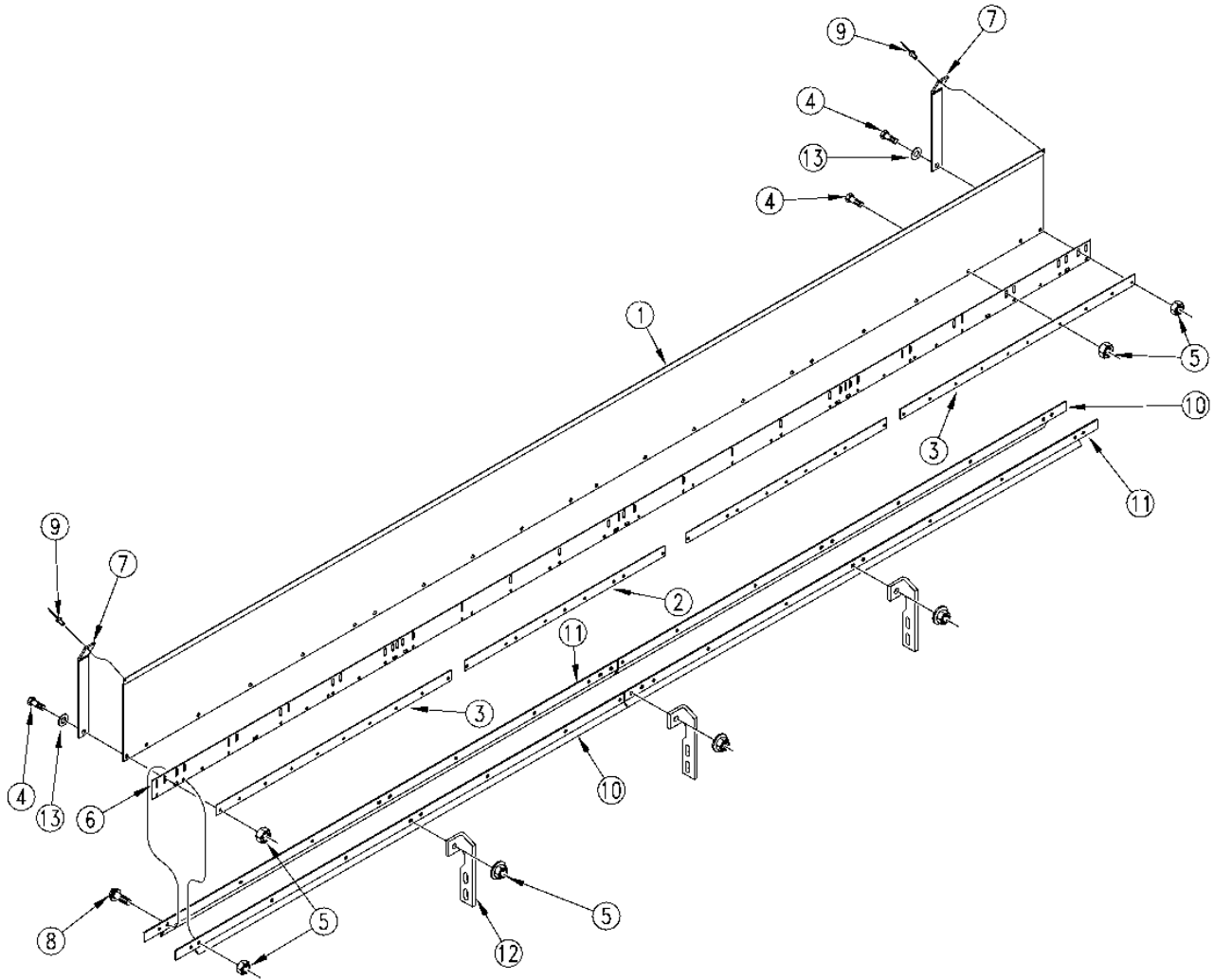
19312

Lid To Box Fertilizer

Ref.	Part No.	Part Description	Comments
1.	175-180S	13' EW LID HINGE ASSEMBLY	
2.	803-209C	NUT FLANGE LOCK 3/8-16 PLT	
3.	313-186D	LID HINGE PIVOT	
4.	313-176D	LID HINGE BASE PLATE	
5.	802-411C	RHSNB 3/8-16X2 GR5	
6.	802-017C	HHCS 3/8-16X1 GR5	
7.	804-011C	WASHER FLAT 3/8 USS PLT	
8.	803-011C	NUT LOCK 5/16-18 PLT	
9.	800-121C	BALL STUD 10MM X 5/16-18 UNC	
10.	890-308C	9 1/4-15 X 70LB GAS SPRING	
11.	119-153D	LATCH CASTING MACHINED	
12.	807-106C	SPRING .540 O.D.X 1 1/4 X.054W	
13.	119-154D	LID HANDLE	
14.	804-036C	WASHER FLAT 5/16 SAE PLT	
15.	802-425C	HHCS 5/16-18X1 1/4 NYL	
16.	175-146H	13' EW SEED BOX LID	
17.	803-088C	NUT HEX LOCK 1/4-20 FLG	
18.	195-177S	SEED/FERT FLAP SUBASSY	
19.	802-375C	HFSS 1/4-20X1 GR5	
20.	195-198D	HINGE CLAMP STRIP ENDS	
	195-197D	HINGE CLAMP STRIP CTR	

Legend: ● = 1st revision; ● = 2nd revision; ● = 3rd revision; ● = use up existing stock; ⊗ = not interchangeable; ⊗ ① ● = for example: revision 2 is not interchangeable w/revision 1

Spill Flap Fertilizer (175-190S)



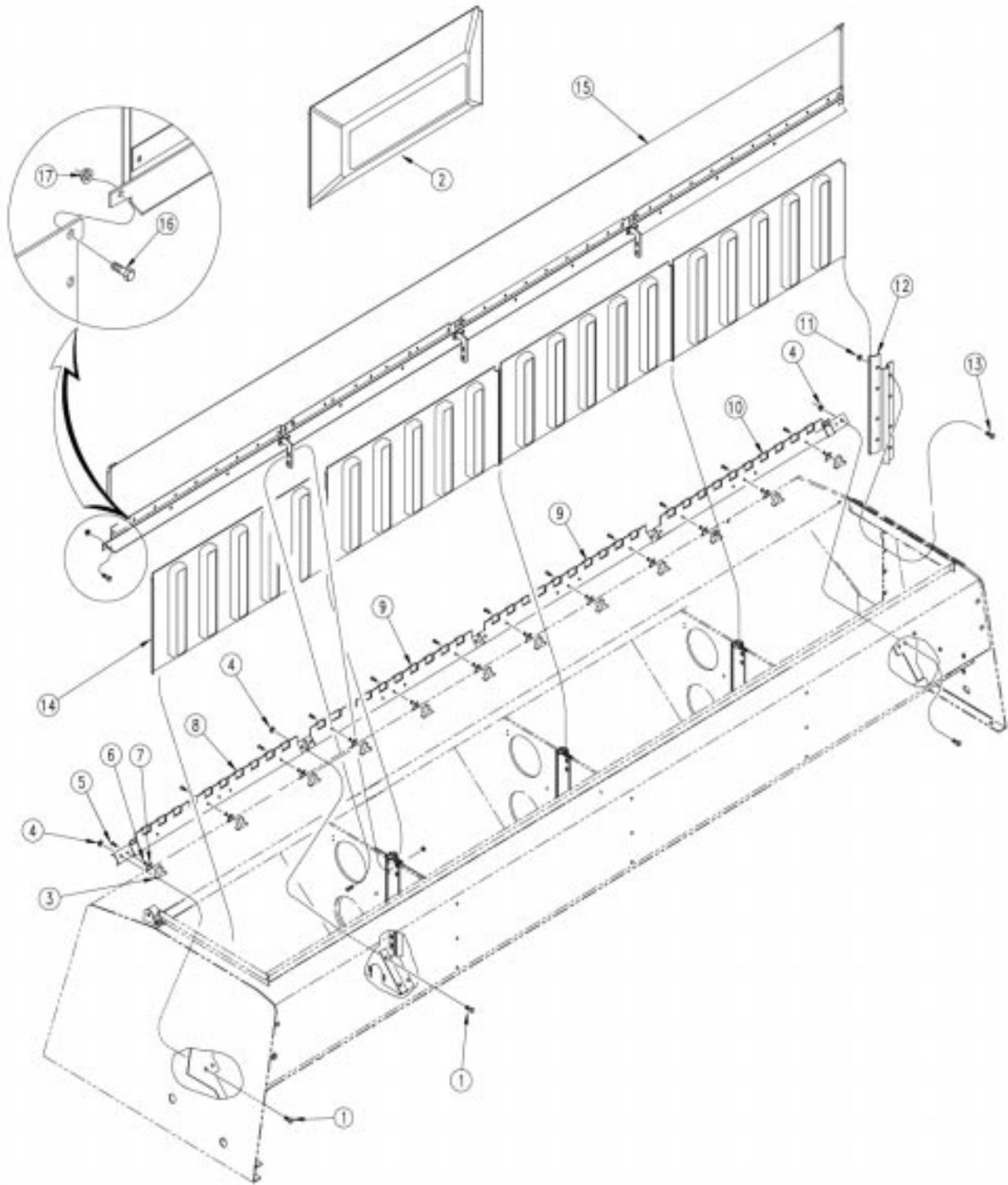
16579

Spill Flap Fertilizer (175-190S)

Ref.	Part No.	Part Description	Comments
1.	175-331D	1300 SPILL FLAP	
2.	195-197D	HINGE CLAMP STRIP CTR	
3.	175-327D	1300 HINGE CLAMP STRIP END	
4.	802-078C	HHCS 1/4-20X5/8 GR5	
5.	803-088C	NUT HEX LOCK 1/4-20 FLG	
6.	816-291C	RUBBER BELTING HINGE 13 EW	
7.	816-278C	RUBBER BELTING SEAL STRIP	
8.	802-375C	HFSS 1/4-20X1 GR5	
9.	800-012C	RIVET SS 1/8 DIA	
10.	175-325D	1300 DIVIDER CLAMP ANGLE SHORT	
11.	175-326D	1300 DIVIDER CLAMP ANGLE LONG	
12.	195-192D	TOP BAR PARTITION BRACE	
13.	804-007C	WASHER FLAT 1/4 SAE PLT	

Legend: ① = 1st revision; ② = 2nd revision; ③ = 3rd revision; ● = use up existing stock; ⊗ = not interchangeable; ⊗ ① ② = for example: revision 2 is not interchangeable w/revision 1

Box Dividers Fertilizer



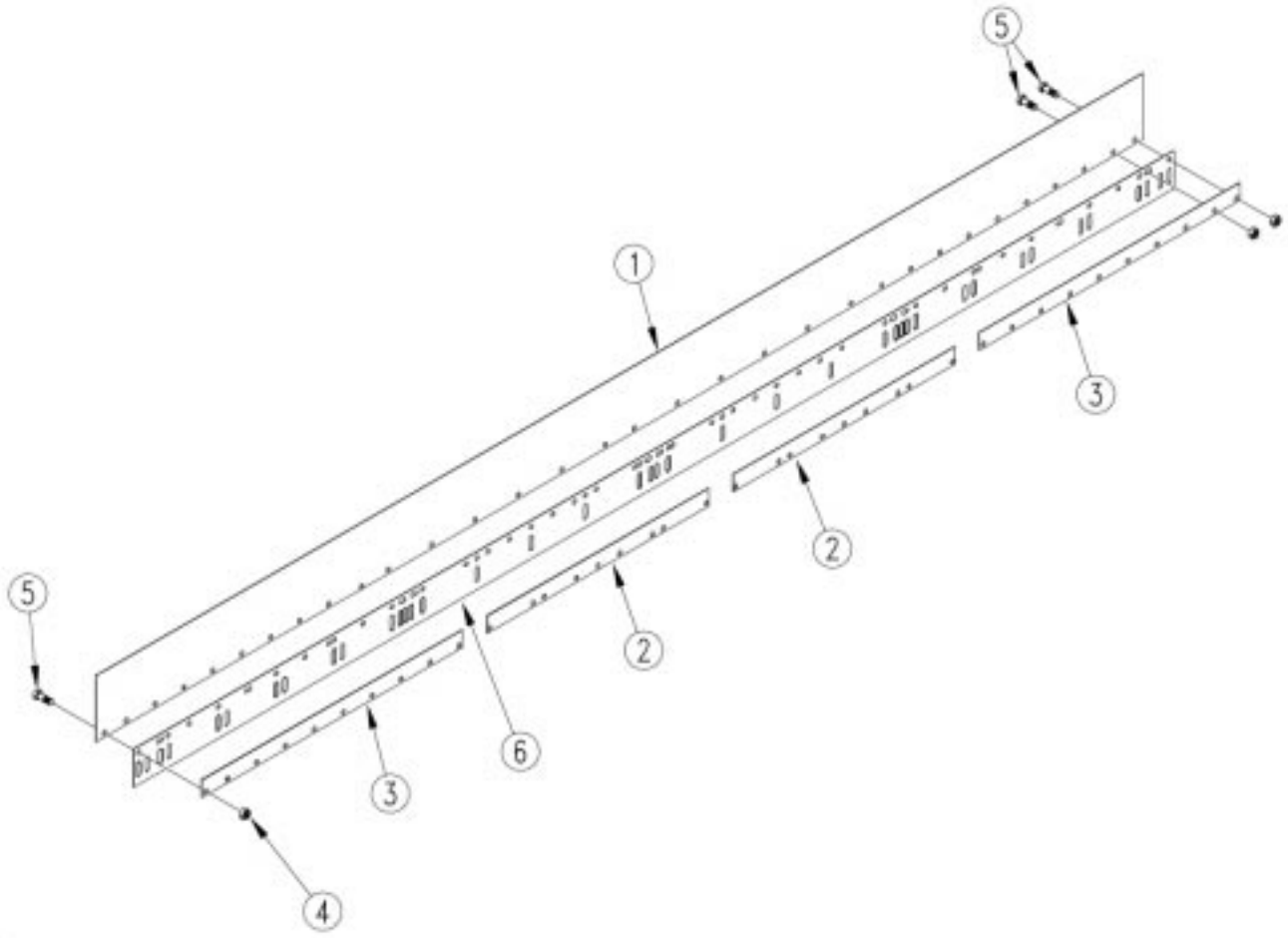
19314

Box Dividers Fertilizer

Ref.	Part No.	Part Description	Comments
1.	802-017C	HHCS 3/8-16X1 GR5	
2.	817-322C	DIVIDER INSERT 33 X 4.5 OFFSET	
3.	817-324C	KNOB 1/4-20 FEMALE THD	
4.	803-209C	NUT FLANGE LOCK 3/8-16 PLT	
5.	802-005C	HHCS 1/4-20X1 GR5	
6.	803-007C	NUT LOCK 1/4-20 PLT	
7.	195-208D	RETAINER CLIP	
8.	195-182H	DIVIDER BOTTOM BRACKET LH	
9.	195-181H	DIVIDER BOTTOM BRACKET CTR	
10.	195-183H	DIVIDER BOTTOM BRACKET RH	
11.	803-199C	NUT HEX FLANGE 5/16-18 PLT	
12.	195-194D	DIVIDER CLIP, END MOUNTED	
13.	802-387C	HFS 5/16-18X3/4 GR5	
14.	817-321C	DIVIDER INSERT 33 X NO OFFSET	
15.	175-190S	1300 SPILL FLAP SUB ASSEMBLY	
16.	802-375C	HFSS 1/4-20X1 GR5	
17.	803-088C	NUT HEX LOCK 1/4-20 FLG	

Legend: ● = 1st revision; ● = 2nd revision; ● = 3rd revision; ● = use up existing stock; ⊗ = not interchangeable; ⊗ ① ● = for example: revision 2 is not interchangeable w/revision 1

Seed/Fertilizer Flap (175-191S)



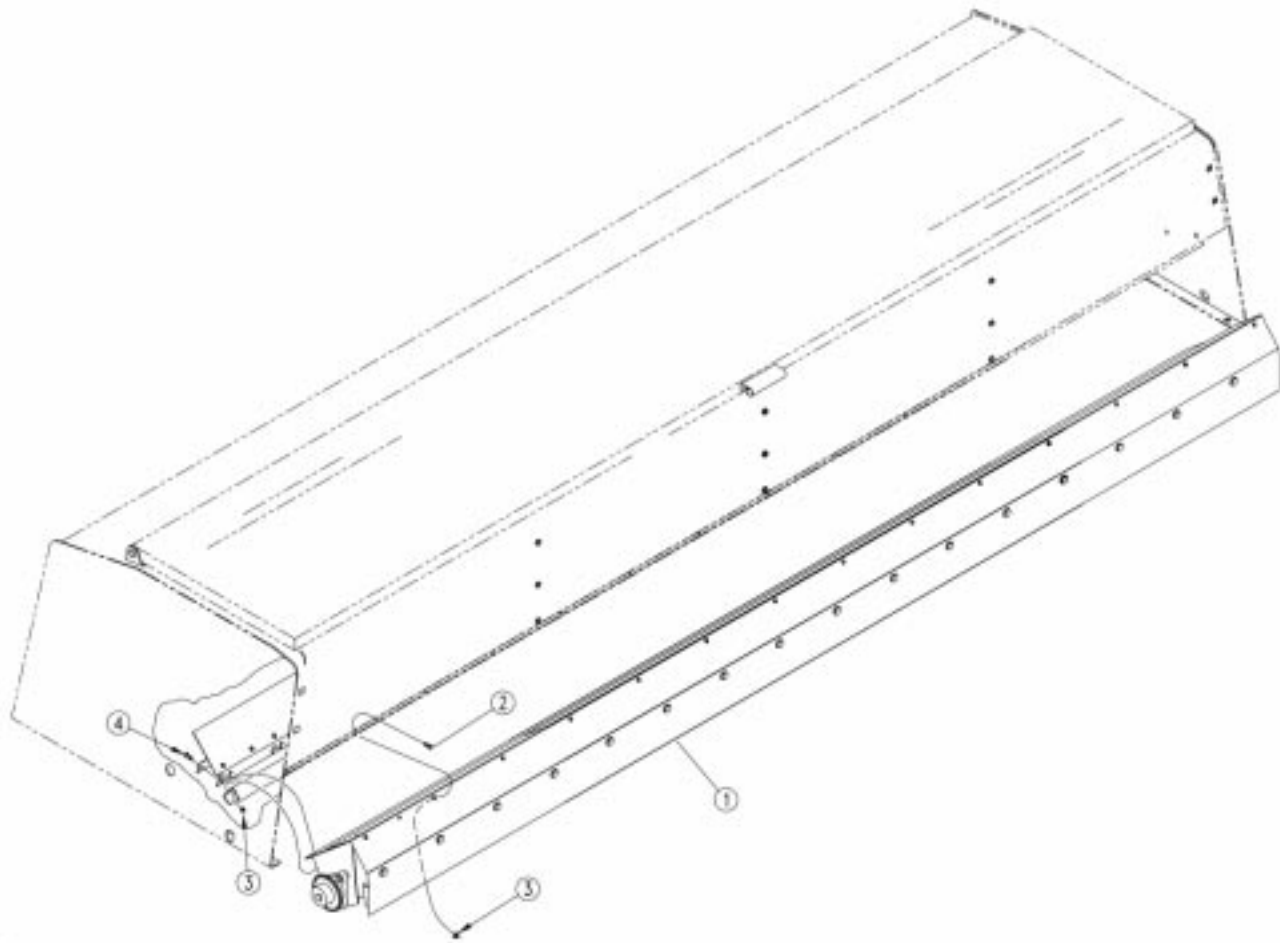
16578

Seed/Fertilizer Flap (175-191S)

Ref.	Part No.	Part Description	Comments
1.	175-332D	1300 SEED/FERT SELECT FLAP	
2.	195-197D	HINGE CLAMP STRIP CTR	
3.	175-327D	1300 HINGE CLAMP STRIP END	
4.	803-007C	NUT LOCK 1/4-20 PLT	
5.	802-078C	HHCS 1/4-20X5/8 GR5	
6.	816-291C	RUBBER BELTING HINGE 13 EW	

Legend: ● = 1st revision; ● = 2nd revision; ● = 3rd revision; ● = use up existing stock; ⊗ = not interchangeable; ⊗ ① ● = for example: revision 2 is not interchangeable w/revision 1

Fertilizer Tray To Box



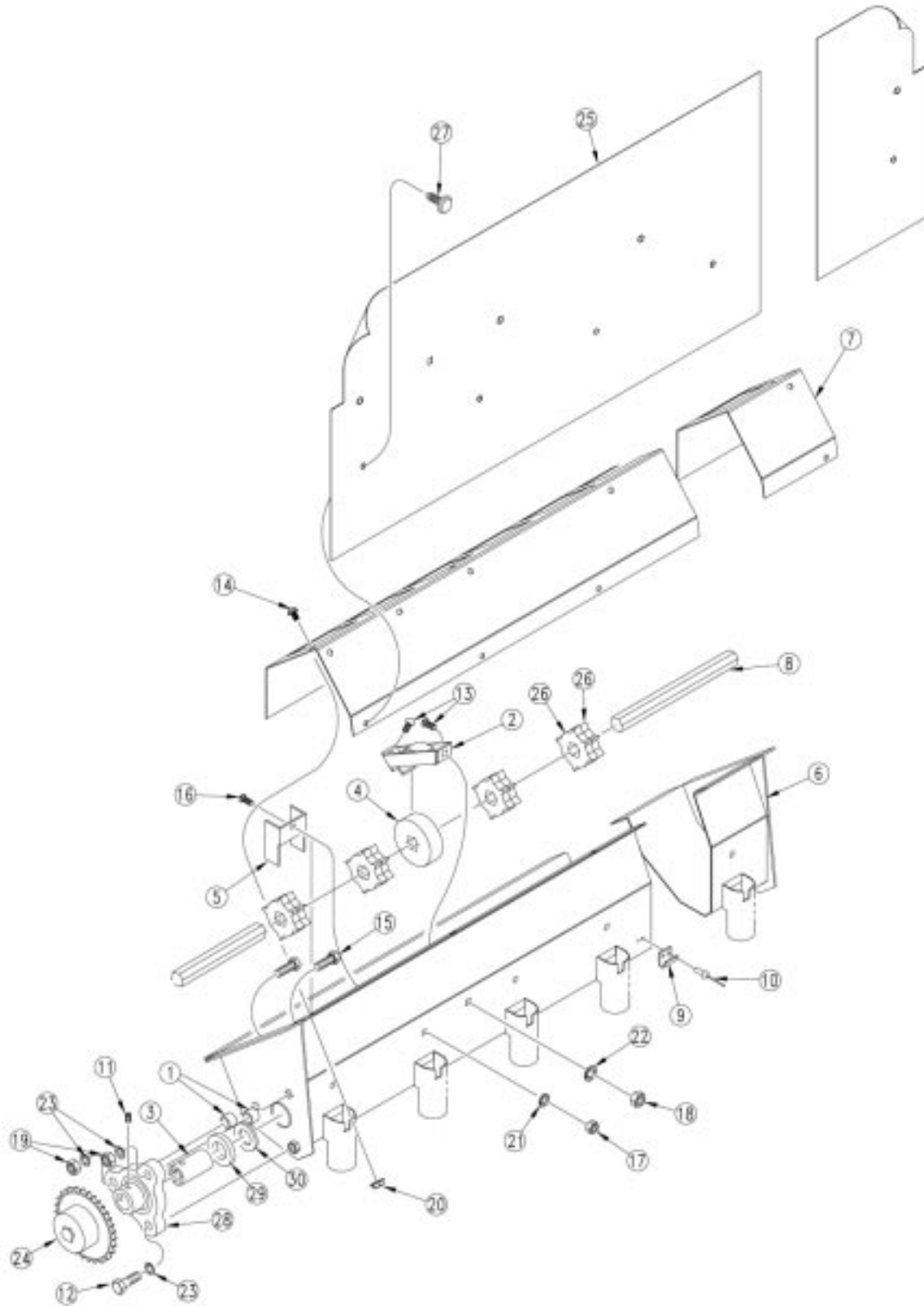
19316

Fertilizer Tray To Box

Ref.	Part No.	Part Description	Comments
1.	175-187K	1300 FERT TRAY ASSEMBLY 6	Shown.
	175-188K	1300 FERT TRAY ASSEMBLY 7 1/2	
	175-189K	1300 FERT TRAY ASSEMBLY 10	
	195-223K	2600 RH FERT TRAY ASSY 6	
	195-224K	2600 RH FERT TRAY ASSY 7 1/2	
	195-225K	2600 RH FERT TRAY ASSY 10	
2.	802-196C	HFSS 1/4-20X5/8 GR5	
3.	803-088C	NUT HEX LOCK 1/4-20 FLG	
4.	802-375C	HFSS 1/4-20X1 GR5	

Legend: ① = 1st revision; ② = 2nd revision; ③ = 3rd revision; ● = use up existing stock; ⊗ = not interchangeable; ⊗ ① ② = for example: revision 2 is not interchangeable w/revision 1

Fertilizer Tray



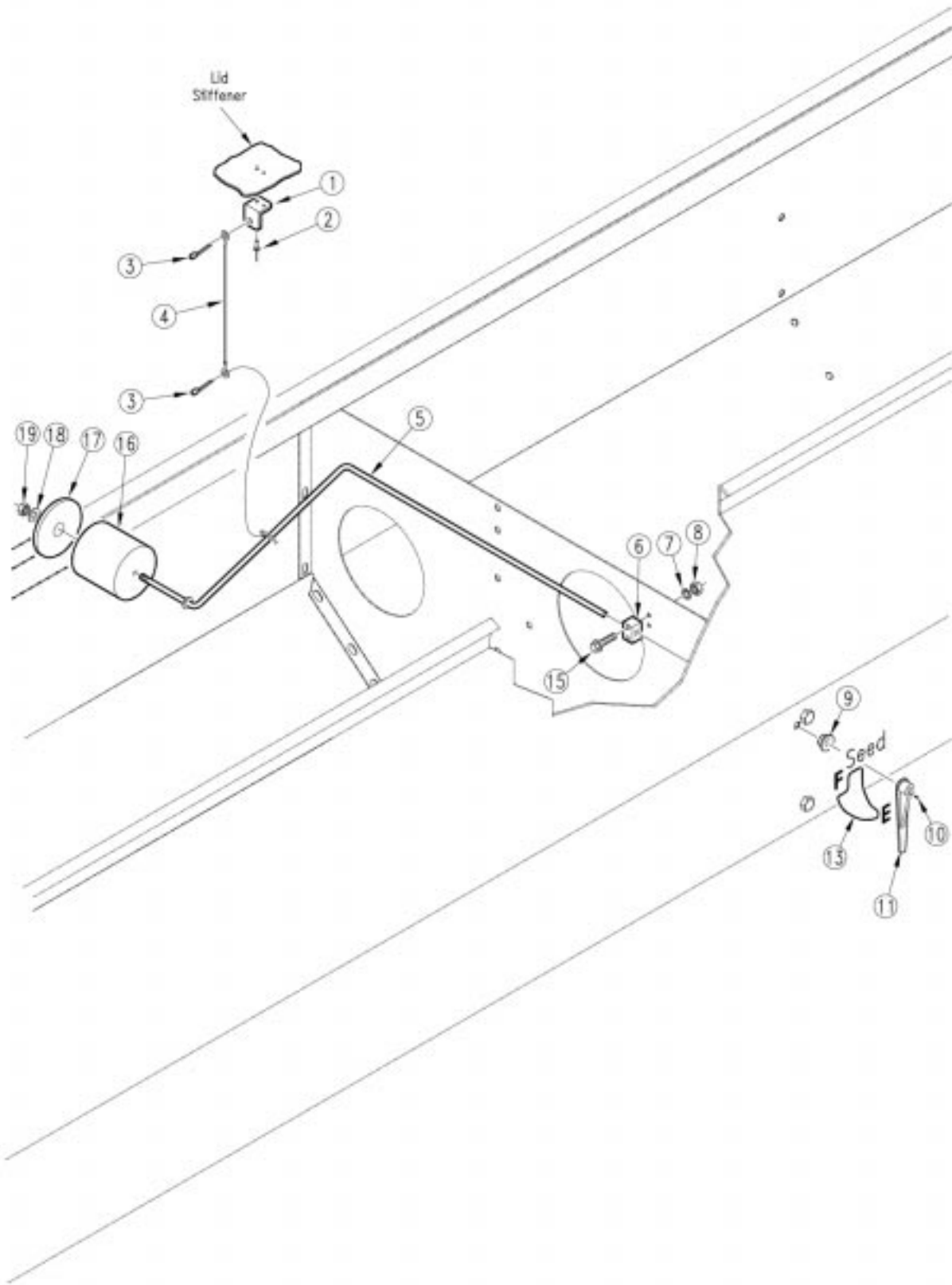
19317

Fertilizer Tray

Ref.	Part No.	Part Description	Comments
1.	141-084D	TRAY BEARING SPACER	
2.	175-102H	13' EW FERT BEARING RETAINER	
3.	191-001D	MF FERT .75 HEX BORE BUSHING	
4.	191-002D	MF FERT HEX BORE PLASTIC BUSH	
5.	191-018D	MF FERT STAR RETAINER SIDE PLT	
6.	175-183H	1300 FERT TRAY WELDMENT 6	
	175-182H	1300 FERT TRAY WELDMENT 7 1/2	
	175-184H	1300 FERT TRAY WELDMENT 10	
7.	175-338D	1300 FERT TRAY ADAPTER PANEL	
8.	175-341D	1300 AGITATOR SHAFT	
9.	800-032C	LATCH STRIKE	
10.	800-012C	RIVET SS 1/8 DIA	
11.	801-009C	SCREW SET 1/4-28 SH X 1/2 LG	
12.	802-079C	HHCS 3/8-16X1 1/4 GR5	
13.	802-092C	RHSNB 5/16-18X3/4 GR5	
14.	802-148C	HFSS 1/4-20X1/2 GR5	
15.	802-252C	RHSNB 3/8-16X1 3/4 GR5	
16.	802-633C	RHSNB 1/4-20X5/8 PLT	
17.	803-006C	NUT HEX 1/4-20 PLT	
18.	803-008C	NUT HEX 5/16-18 PLT	
19.	803-014C	NUT HEX 3/8-16 PLT	
20.	803-088C	NUT HEX LOCK 1/4-20 FLG	
21.	804-006C	WASHER LOCK SPRING 1/4 PLT	
22.	804-009C	WASHER LOCK SPRING 5/16 PLT	
23.	804-013C	WASHER LOCK SPRING 3/8 PLT	
24.	808-086C	SPKT 40B30 X 3/4 HEXBORE W/ SS	
25.	816-292C	VINYL FERT DEW SHIELD 13 EW	
26.	817-053C	6 POINT FERT METERING WHEEL	
27.	817-323C	NYLON RATCHET FASTENER	
28.	822-083C	BEARING 3-HOLE FLANGE 1 1/4	
29.	890-026C	FELT SEAL	
30.	804-048C	WASHER MACH 2.50 X1.75 X .075	

Legend: ● = 1st revision; ● = 2nd revision; ● = 3rd revision; ● = use up existing stock; ⊗ = not interchangeable; ⊗ ① ● = for example: revision 2 is not interchangeable w/revision 1

Seed Level Indicator



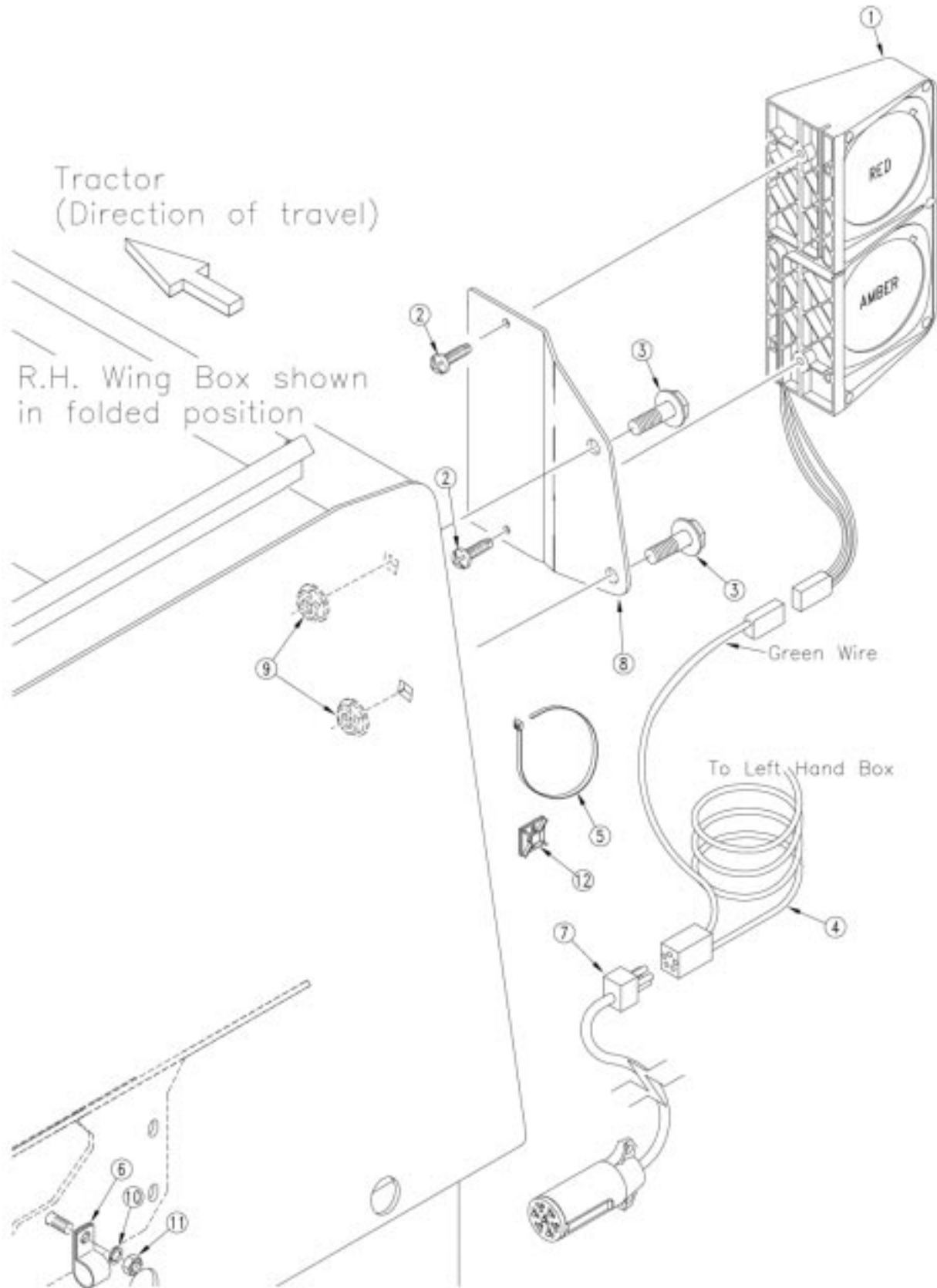
17311

Seed Level Indicator

Ref.	Part No.	Part Description	Comments
1.	197-091D	SEED LEVEL CHAIN BRACKET	
2.	800-101C	RIVET POP 1/8 .125 AD42BSLF	
3.	805-067C	PIN COTTER 1/8 X 3/4	
4.	890-305C	CABLE 3/64 X 11 5/8 W/ EYELETS	
5.	195-124H	3S SEED LEVEL ROD	
6.	817-202C	SEED LEVEL ARM MOUNT	
7.	804-004C	WASHER INTERNAL STAR #10 PLT	
8.	803-001C	NUT HEX 10-24 PLT	
9.	817-086C	SEED LEVEL BUSHING	
10.	801-154C	SCR HEX THD FRM #8 X 1/2	
11.	817-350C	SEED LEVEL INDICATOR	
12.	818-295C	DECAL LETTER E	No longer available. Order part no. 838-237C.
13.	⊗ 838-237C	DECAL SEED LEVEL LH	
	Ⓜ 818-392C	DECAL SEED LEVEL, NOTCHED	
14.	818-296C	DECAL LETTER F	No longer available. Order part no. 838-237C.
15.	801-096C	HFS 10-24 X 1 1/8 PLTD	
16.	197-089D	FOAM FLOAT	
17.	197-096D	FOAM FLOAT WASHER	
18.	804-075C	WASHER FLAT 1/4 USS PLT	
19.	803-003C	NUT HEX SS 1/4-20 NYLOCK	

Legend: Ⓜ = 1st revision; ⊗ = 2nd revision; ⊕ = 3rd revision; ● = use up existing stock; ⊗ = not interchangeable; ⊗ ⊕ ⊗ = for example: revision 2 is not interchangeable w/revision 1

Lights



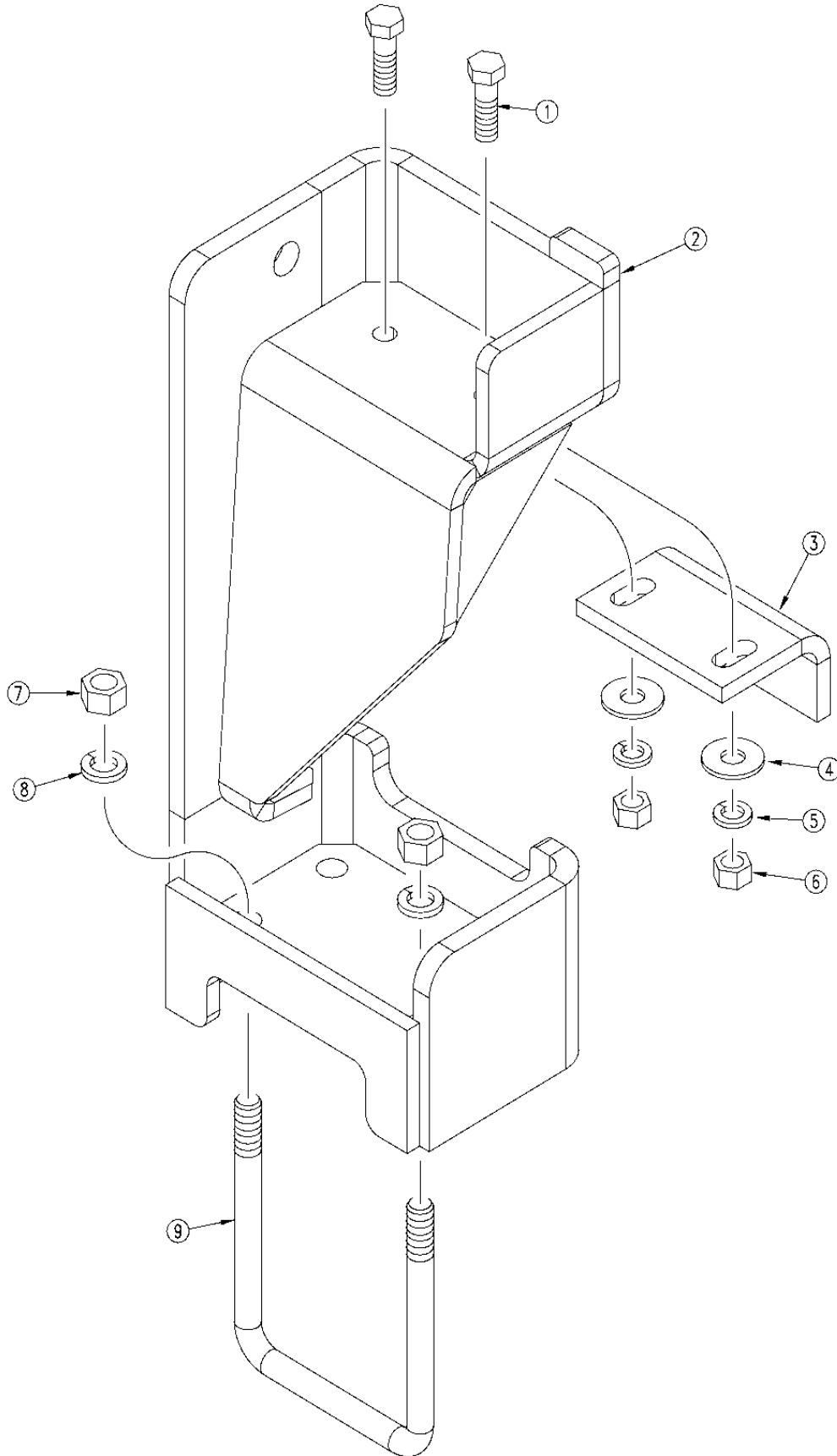
15449

Lights

Ref.	Part No.	Part Description	Comments
1.	890-312C	DUAL AG LIGHTS	
	890-311C	DUAL AG LIGHTS	Shown
2.	801-151C	SCR HEX SELF TAP 1/4-20X1TYPEF	
3.	802-203C	HFSS 1/2-13X1 1/2 GR5	
4.	890-430C	LIGHT HARNESS, 20' WISHBONE	
5.	800-149C	CABLE TIE 6 LONG REL.	
6.	800-064C	HOSE CLIP 13/16 ID	
7.	890-313C	AG LIGHT WIRING HARNESS-28'	
8.	195-112D	PLATE, AG LIGHT RH	Shown
	195-165D	PLATE, AG LIGHT LH	
9.	803-169C	NUT HEX FLG. LOCK 1/2-13 PLT	
10.	804-013C	WASHER LOCK SPRING 3/8 PLT	
11.	803-014C	NUT HEX 3/8-16 PLT	

Legend: ● = 1st revision; ● = 2nd revision; ● = 3rd revision; ● = use up existing stock; ⊗ = not interchangeable; ⊗ ① ● = for example: revision 2 is not interchangeable w/revision 1

Weight Bracket



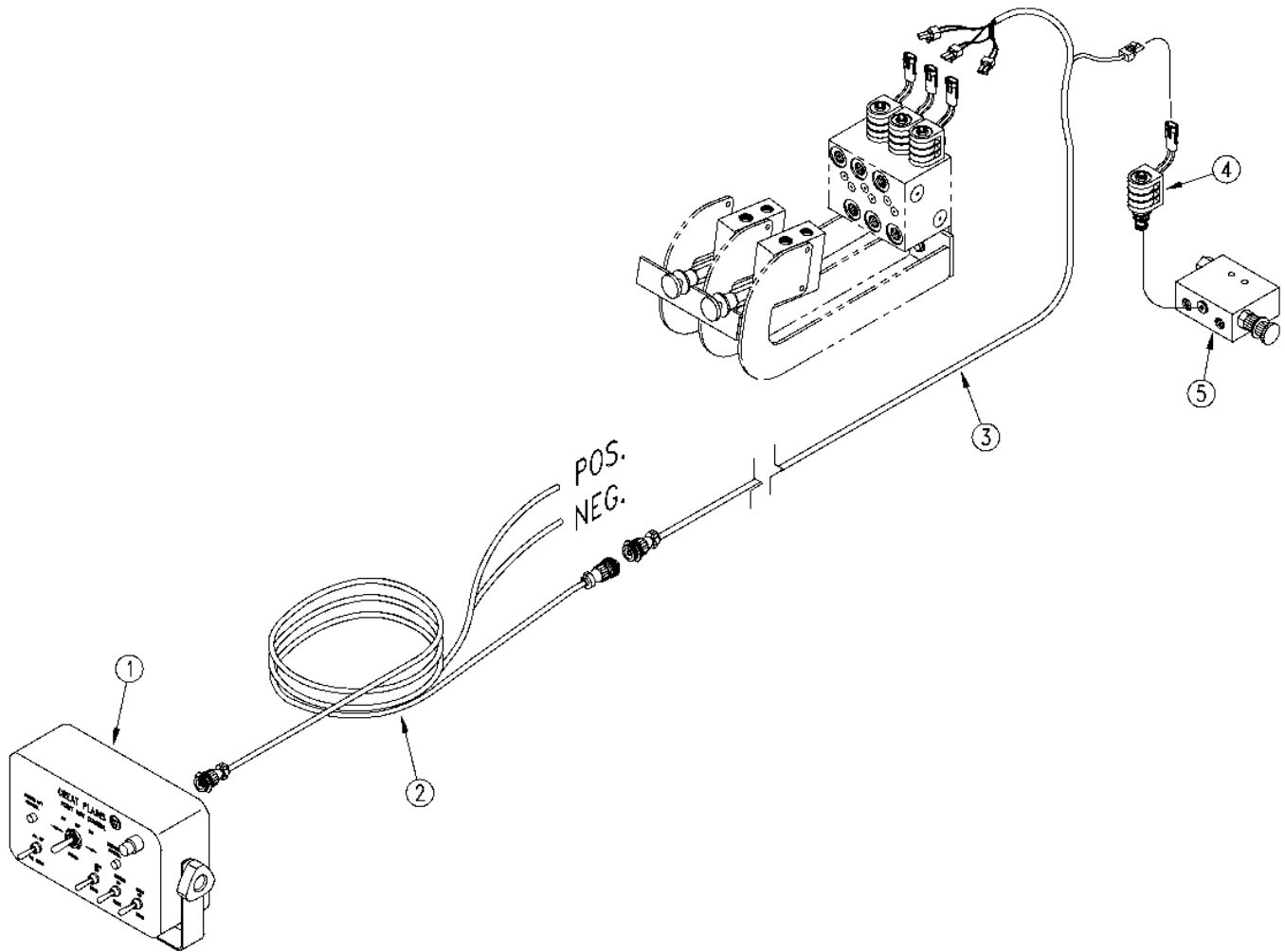
24414

Weight Bracket

Ref.	Part No.	Part Description	Comments
1.	802-055C	HHCS 5/8-11X2 GR5	
2.	171-101H	WEIGHT BRACKET WELDMENT-LH	
	171-102H	WEIGHT BRACKET WELDMENT-RH	
3.	171-043D	WEIGHT BRACKET ADJ LEG	
4.	804-019C	WASHER FLAT 5/8 USS PLT	
5.	804-022C	WASHER LOCK SPRING 5/8 PLT	
6.	803-021C	NUT HEX 5/8-11 PLT	
7.	803-027C	NUT HEX 3/4-10 PLT	
8.	804-023C	WASHER LOCK SPRING 3/4 PLT	
9.	806-093C	U-BOLT 3/4-10 6 1/32 X 7 3/4	

Legend: ① = 1st revision; ② = 2nd revision; ③ = 3rd revision; ● = use up existing stock; ⊗ = not interchangeable; ⊗ ① ② = for example: revision 2 is not interchangeable w/revision 1

Point Row Control Box With Cables



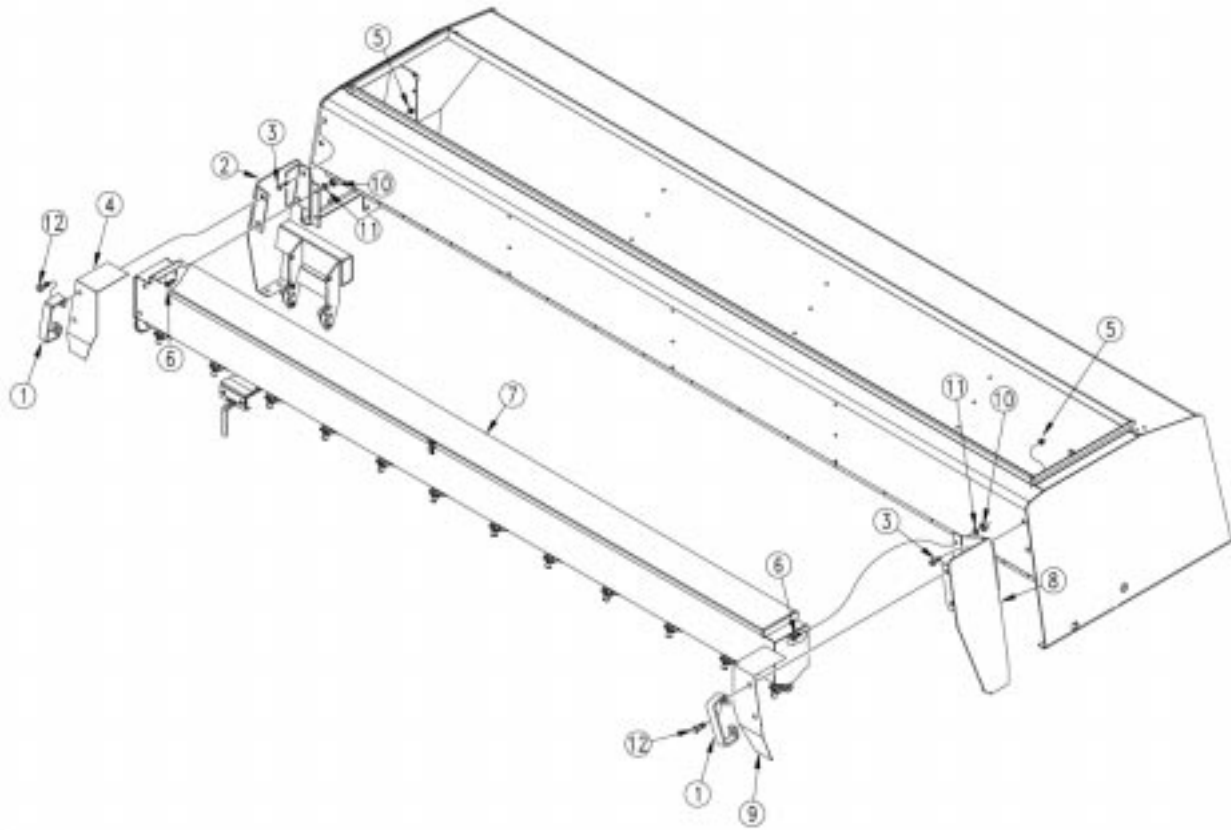
22972

Point Row Control Box With Cables

Ref.	Part No.	Part Description	Comments
1.	823-185C	POINT ROW CONTROL BOX	
2.	823-190C	POINT ROW CABLE W/ POWER LEAD	
3.	823-175C	3 SECT POINT ROW WIRE HARNESS	
4.	810-408C	BYPASS CARTRIDGE AND SOLENOID	
5.	810-432C	HYDRAULIC BYPASS VALVE	

Legend: ● = 1st revision; ● = 2nd revision; ● = 3rd revision; ● = use up existing stock; ⊗ = not interchangeable; ⊗ ① ● = for example: revision 2 is not interchangeable w/revision 1

Small Seeds Box Mounting



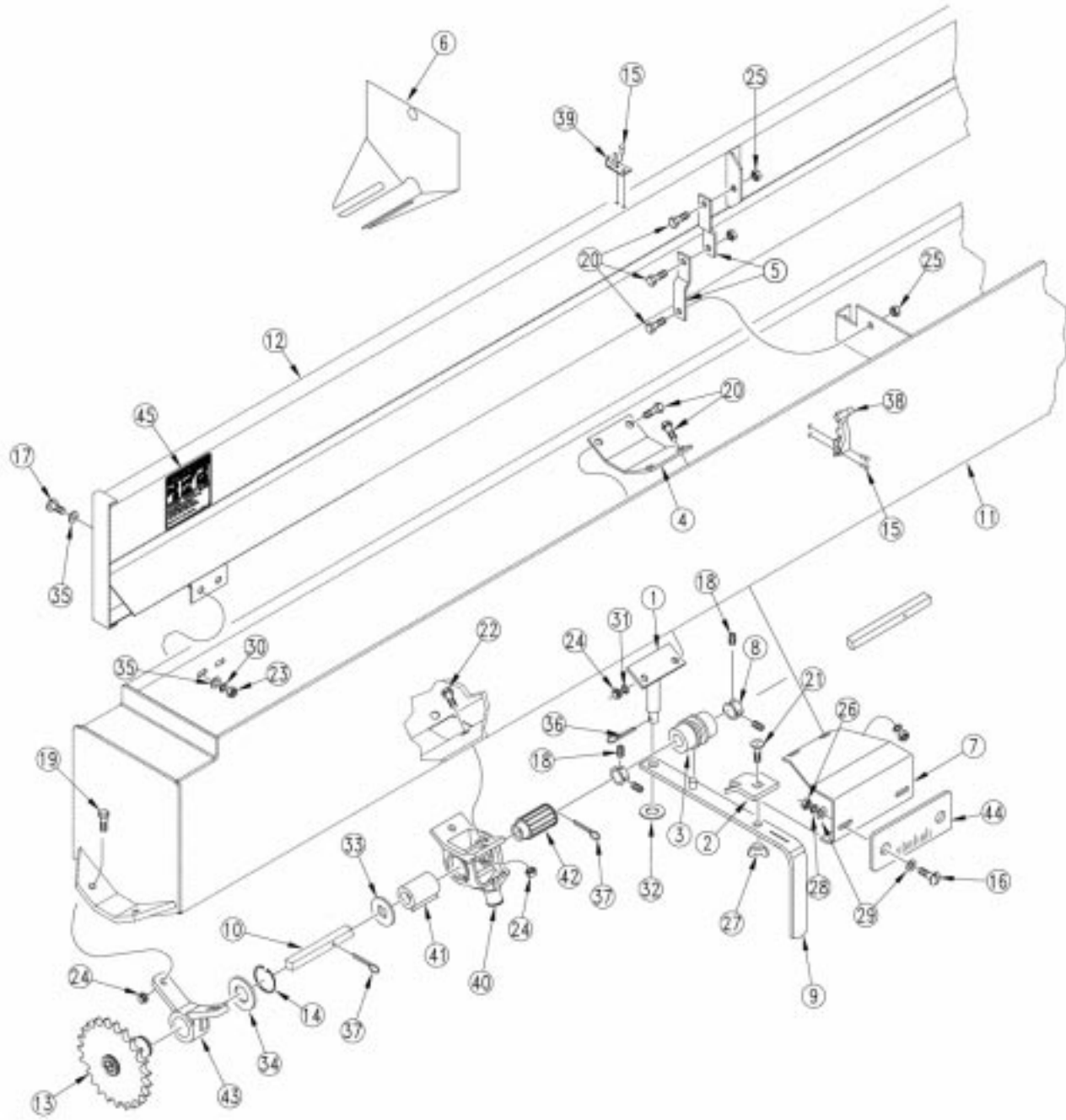
19320

Small Seeds Box Mounting

Ref.	Part No.	Part Description	Comments
1.	119-190D	HANDLE	
2.	133-161H	SML SDS RH MOUNT WLDM W/ DRIVE	
	133-159H	SML SDS LH MOUNT WLDM W/ DRIVE	Shown.
3.	802-034C	HHCS 1/2-13X1 1/4 GR5	
4.	123-491D	HANDLE MOUNT LH CHAIN GUARD	
5.	803-169C	NUT HEX FLG. LOCK 1/2-13 PLT.	
6.	802-388C	HFS 3/8-16X1 GR5	
7.	133-152K	2600 SML SDS LH BOX ASY 6 IN	Shown.
	133-153K	2600 SML SDS RH BOX ASY 6 IN	
	133-154K	2600 SML SDS LH BOX ASY 7.5 IN	
	133-155K	2600 SML SDS RH BOX ASY 7.5 IN	
	133-156K	2600 SML SDS LH BOX ASY 10 IN	
	133-157K	2600 SML SDS RH BOX ASY 10 IN	
8.	133-160H	SML SDS RH MOUNT WLDM	Shown.
	133-158H	SML SDS LH MOUNT WLDM	
9.	123-492D	HANDLE MOUNT RH CHAIN GUARD	
10.	803-014C	NUT HEX 3/8-16 PLT	
11.	804-013C	WASHER LOCK SPRING 3/8 PLT	
12.	802-203C	HFSS 1/2-13X1 1/2 GR5	

Legend: ● = 1st revision; ● = 2nd revision; ● = 3rd revision; ● = use up existing stock; ⊗ = not interchangeable; ⊗ ① ● = for example: revision 2 is not interchangeable w/revision 1

Small Seeds Box Components



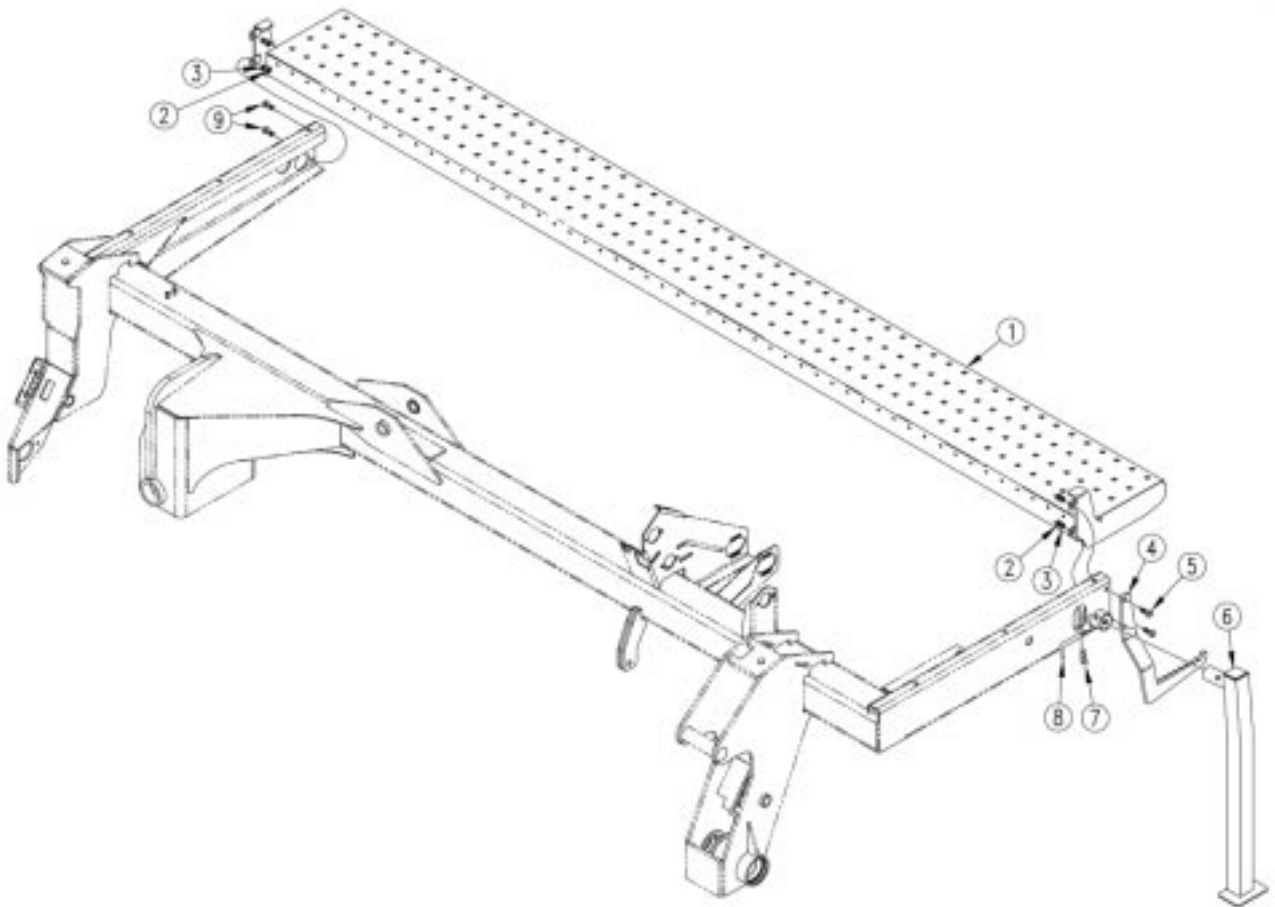
16593

Small Seeds Box Components

Ref.	Part No.	Part Description	Comments
1.	123-050H	ADJUSTMENT HANDLE PIVOT	
2.	123-113D	LOCK TAB	
3.	123-116D	SEED ADJUSTMENT SPOOL	
4.	123-118D	SEED ADJUSTMENT SUPPORT	
5.	123-356D	10' EWNT SGS LID LATCH	
6.	123-409D	RMVBL SMALL SEED BOX PARTITION	
7.	123-410D	GAUGE MOUNTING BRACKET	
8.	890-349C	3/8 SHAFT LOCKING COLLAR	
9.	123-476H	REAR SEED RATE ADJ HANDLE WLD	
10.	123-575D	1300 SML SDS CUP SHAFT 6 IN	
	123-576D	1300 SML SDS CUP SHAFT 7.5 IN	
	123-577D	1300 SML SDS CUP SHAFT 10 IN	
11.	133-061H	1300 SML SDS BOX 6 IN	
	133-062H	1300 SML SDS BOX 7.5 IN	
	133-063H	1300 SML SDS BOX 10 IN	
12.	133-064H	1300 SML SDS LID	
13.	123-834H	SML SDS DRIVE SPKT HUB 27T	
14.	800-028C	SNAP RING .875	
15.	800-101C	RIVET POP 1/8 .125 AD42BSLF	
16.	801-001C	SCREW RD HD 8-32 X 3/8 BRASS	
17.	801-003C	SCREW RD HD SLT 10-24X1/2 PLT	
18.	801-035C	SCREW SET 5/16-18 SKT KP X 3/8	
19.	802-004C	HHCS 1/4-20X3/4 GR5	
20.	802-078C	HHCS 1/4-20X5/8 GR5	
21.	802-092C	RHSNB 5/16-18X3/4 GR5	
22.	802-148C	HFSS 1/4-20X1/2 GR5	
23.	803-001C	NUT HEX 10-24 PLT	
24.	803-006C	NUT HEX 1/4-20 PLT	
25.	803-007C	NUT LOCK 1/4-20 PLT	
26.	803-035C	NUT HEX 8-32 BRASS	
27.	803-058C	NUT WING 5/16-18	
28.	804-002C	WASHER INTERNAL STAR #8 BRASS	
29.	804-003C	WASHER FLAT #8 BRASS	
30.	804-004C	WASHER INTERNAL STAR #10 PLT	
31.	804-006C	WASHER LOCK SPRING 1/4 PLT	
32.	804-012C	WASHER FLAT 3/8 SAE PLT	
33.	804-042C	WASHER GRASS SEEDER CUP SHAFT	
34.	804-044C	WASHER MACH 1.38 X .876 X .048	
35.	804-046C	WASHER FLAT #10 SAE PLT	
36.	805-019C	PIN COTTER 5/32 X 1 PLT	
37.	805-067C	PIN COTTER 1/8 X 3/4	
38.	816-112C	RUBBER LATCH 37-11-065-10	
39.	816-113C	LATCH KEEPER 37-15-061-17	
40.	⊕ 817-504C	SML SEED FEEDER CUP ASSY	(S/N DD1123+)
	Ⓜ 817-008C	GRASS SEEDER CUP ASSEMBLY	(S/N DD1122-)
41.	817-009C	GRASS SEEDER SLEEVE	
42.	817-010C	GRASS SEEDER SPROCKET	
43.	817-026C	DRIVE SPROCKET HANGER BEARING	
44.	819-041C	SEED ADJUSTMENT GUIDE	
45.	838-467C	DECAL SMALL SEEDS DANGER	

Legend: ● = 1st revision; ⊕ = 2nd revision; ⊗ = 3rd revision; ● = use up existing stock; ⊗ = not interchangeable; ⊗ ⊕ ● = for example: revision 2 is not interchangeable w/revision 1

Walkboard, Step & Parking Stand To Frame



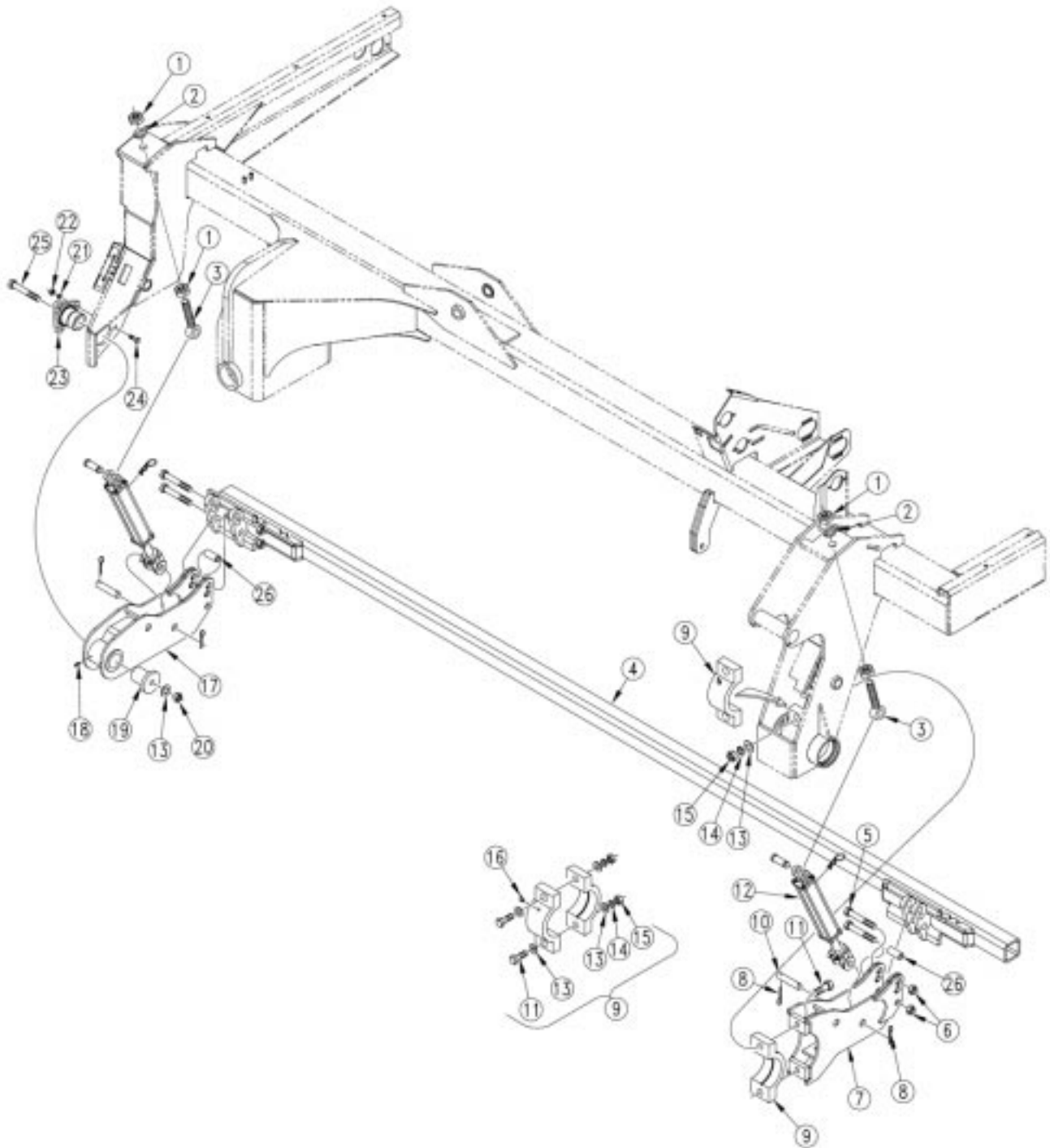
17240

Walkboard, Step & Parking Stand To Frame

Ref.	Part No.	Part Description	Comments
1.	195-193H	2S-2600 WALKBOARD	
2.	803-020C	NUT HEX 1/2-13 PLT	
3.	804-015C	WASHER LOCK SPRING 1/2 PLT	
4.	195-121D	STEP LH	Shown
	195-122D	STEP RH	
5.	802-082C	HHCS 1/2-13X1 3/4 GR5	
6.	194-135H	PARKING STAND LEG	
7.	805-032C	PIN HAIR COTTER .148 WIRE	
8.	805-197C	PIN BENT SHANK LOCK 5/8 OD	
9.	802-034C	HHCS 1/2-13X1 1/4 GR5	

Legend: ① = 1st revision; ② = 2nd revision; ③ = 3rd revision; ● = use up existing stock; ⊗ = not interchangeable; ⊗ ① ② = for example: revision 2 is not interchangeable w/revision 1

Subframes To Wing Frames



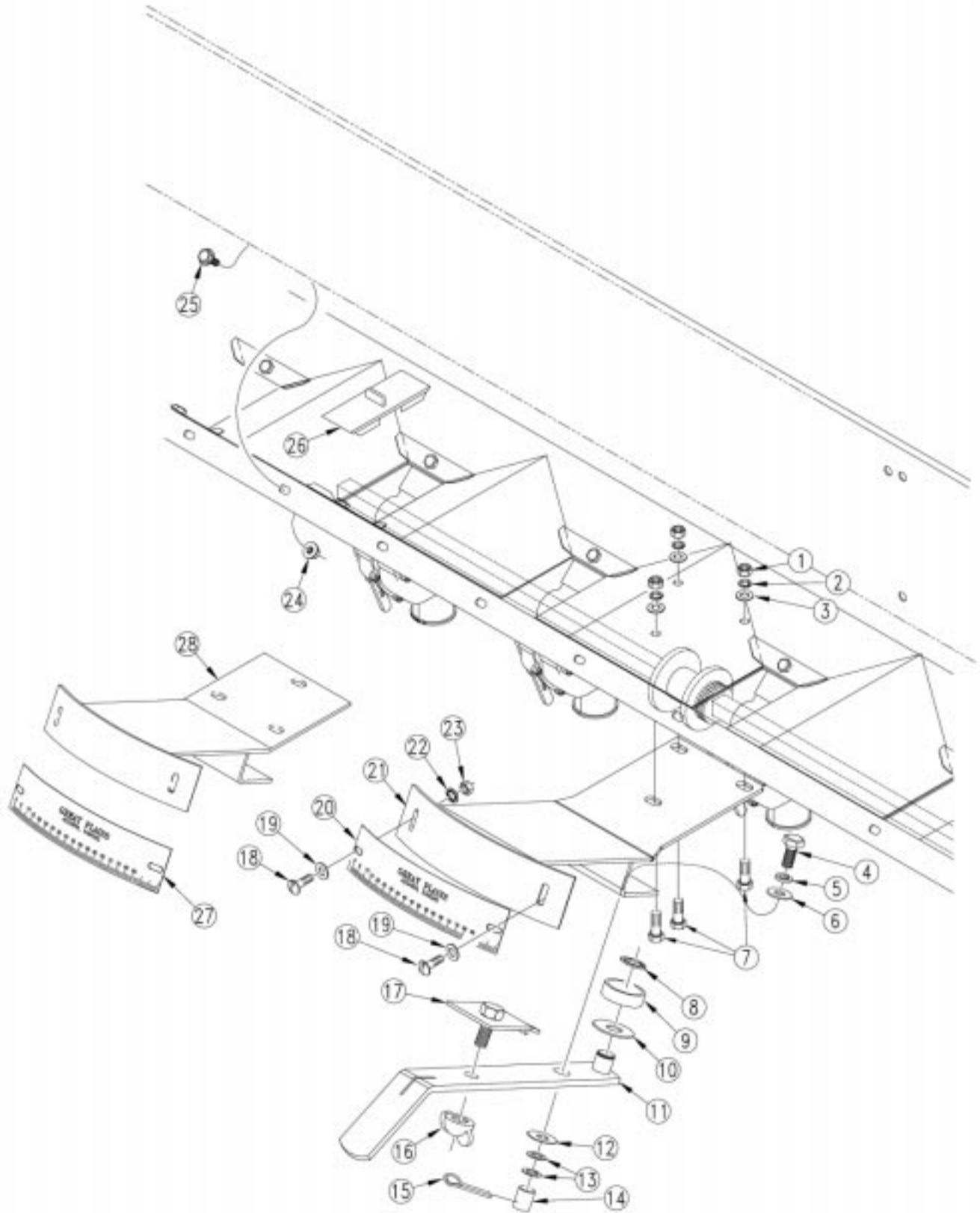
17241

Subframes To Wing Frames

Ref.	Part No.	Part Description	Comments
1.	803-031C	NUT HEX 1-8 PLT	
2.	804-027C	WASHER LOCK SPRING 1 PLT	
3.	194-129H	6 1/8 EYE BOLT	
4.	194-165H	2S-2600 OPENER SUBFRAME LH	Shown
	194-166H	2S-2600 OPENER SUBFRAME RH	
5.	802-139C	HHCS 7/8-9X7 GR5	
6.	803-028C	NUT NY-LOK 7/8-9 PLT	
7.	194-155H	SUBFRAME FLEX ARM, OUTER	
8.	805-104C	PIN COTTER 3/16 X 1 1/2 PLT	
9.	194-123K	3S BEARING ASSEMBLY	
10.	805-236C	PIN CLEVIS 1 X 3 7/8 USBLE PLT	
11.	802-204C	HHCS 3/4-10X3 3/4 GR5	
12.	810-299C	CYL 2X8X1.12 ROD (TIE ROD)	Refer to page 11-15
13.	804-025C	WASHER FLAT 3/4 SAE PLT	
14.	804-023C	WASHER LOCK SPRING 3/4 PLT	
15.	803-027C	NUT HEX 3/4-10 PLT	
16.	800-058C	GREASE ZERK 1/4-28 X 45-DEG	
17.	194-156H	SUBFRAME FLEX ARM, INNER	
18.	800-001C	GREASE ZERK STRAIGHT 1/4-28	
19.	195-188H	SUBFRAME ARM RETAINER	
20.	803-026C	NUT LOCK 3/4-10 PLT	
21.	804-015C	WASHER LOCK SPRING 1/2 PLT	
22.	803-020C	NUT HEX 1/2-13 PLT	
23.	120-247D	3 BOLT PIVOT CAST W/ BOLT HOLE	
24.	802-082C	HHCS 1/2-13X1 3/4 GR5	
25.	802-095C	HHCS 3/4-10X7 GR5	
26.	194-516D	SUBFRAME FLEX ARM SPACER, SHORT	

Legend: ● = 1st revision; ● = 2nd revision; ● = 3rd revision; ● = use up existing stock; ⊗ = not interchangeable; ⊗ ① ● = for example: revision 2 is not interchangeable w/revision 1

Adjustment Handle



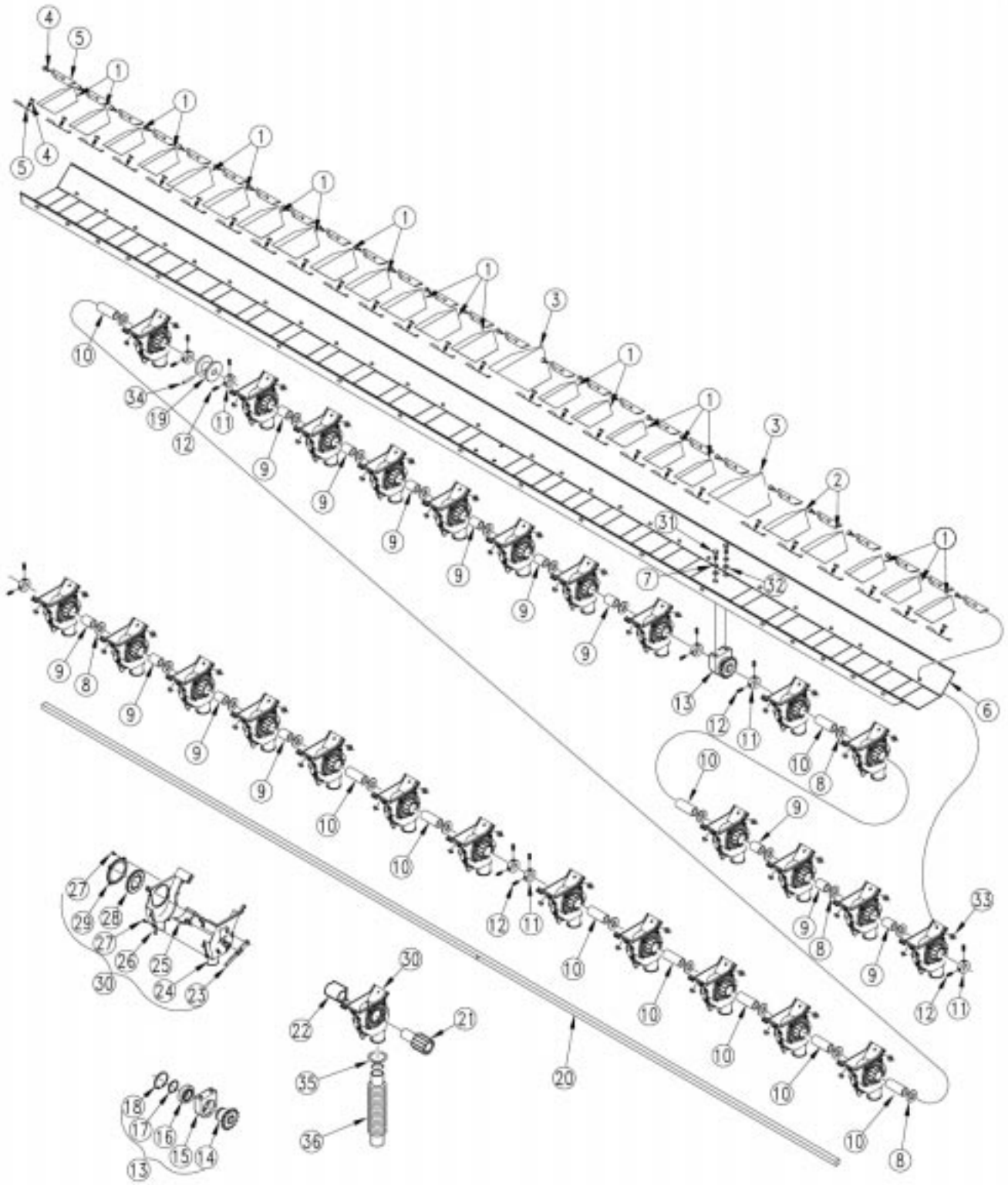
16676

Adjustment Handle

Ref.	Part No.	Part Description	Comments
1.	803-008C	NUT HEX 5/16-18 PLT	
2.	804-009C	WASHER LOCK SPRING 5/16 PLT	
3.	804-036C	WASHER FLAT 5/16 SAE PLT	
4.	802-014C	HHCS 3/8-16X3/4 GR5	
5.	804-013C	WASHER LOCK SPRING 3/8 PLT	
6.	804-012C	WASHER FLAT 3/8 SAE PLT	
7.	802-007C	HHCS 5/16-18X3/4 GR5	
8.	800-003C	SNAP RING EXT 17 MM	
9.	822-008C	BEARING ADJ HANDLE 6203 2RS	
10.	804-001C	WASHER ADJ HANDLE BRG	
11.	118-443H	SEED RATE ADJ HANDLE WLDMNT	
12.	804-021C	WASHER FLAT 5/8 SAE PLT	
13.	804-040C	WASHER MACH 1.00 X .625 X 18GA	
14.	109-069D	ADJUSTMENT HANDLE PIVOT	
15.	805-016C	PIN COTTER 3/16 X 1 1/4 PLT	
16.	803-016C	NUT WING 1/2-13 PLT	
17.	109-025H	ADJ LOCK PLATE ASS'Y - 1 1/2 W	
18.	801-001C	SCREW RD HD 8-32 X 3/8 BRASS	
19.	804-003C	WASHER FLAT #8 BRASS	
20.	819-109C	REAR SEED ADJ GUIDE 6 3/4 LONG	
21.	195-253H	REAR SEED RATE ADJ MOUNT WLDMT	
22.	804-002C	WASHER INTERNAL STAR #8 BRASS	
23.	803-035C	NUT HEX 8-32 BRASS	
24.	803-088C	NUT HEX LOCK 1/4-20 FLG	
25.	802-196C	HFSS 1/4-20X5/8 GR5	
26.	817-087C	1 3/4 WIDE FEEDER CUP PLUG	
27.	819-001C	NAME PLATE ADJ. GUIDE LONG	
28.	118-444H	SEED RATE ADJ WLDMNT	

Legend: ● = 1st revision; ● = 2nd revision; ● = 3rd revision; ● = use up existing stock; ⊗ = not interchangeable; ⊗ ① ● = for example: revision 2 is not interchangeable w/revision 1

6" Feeder Cup Spacing LH



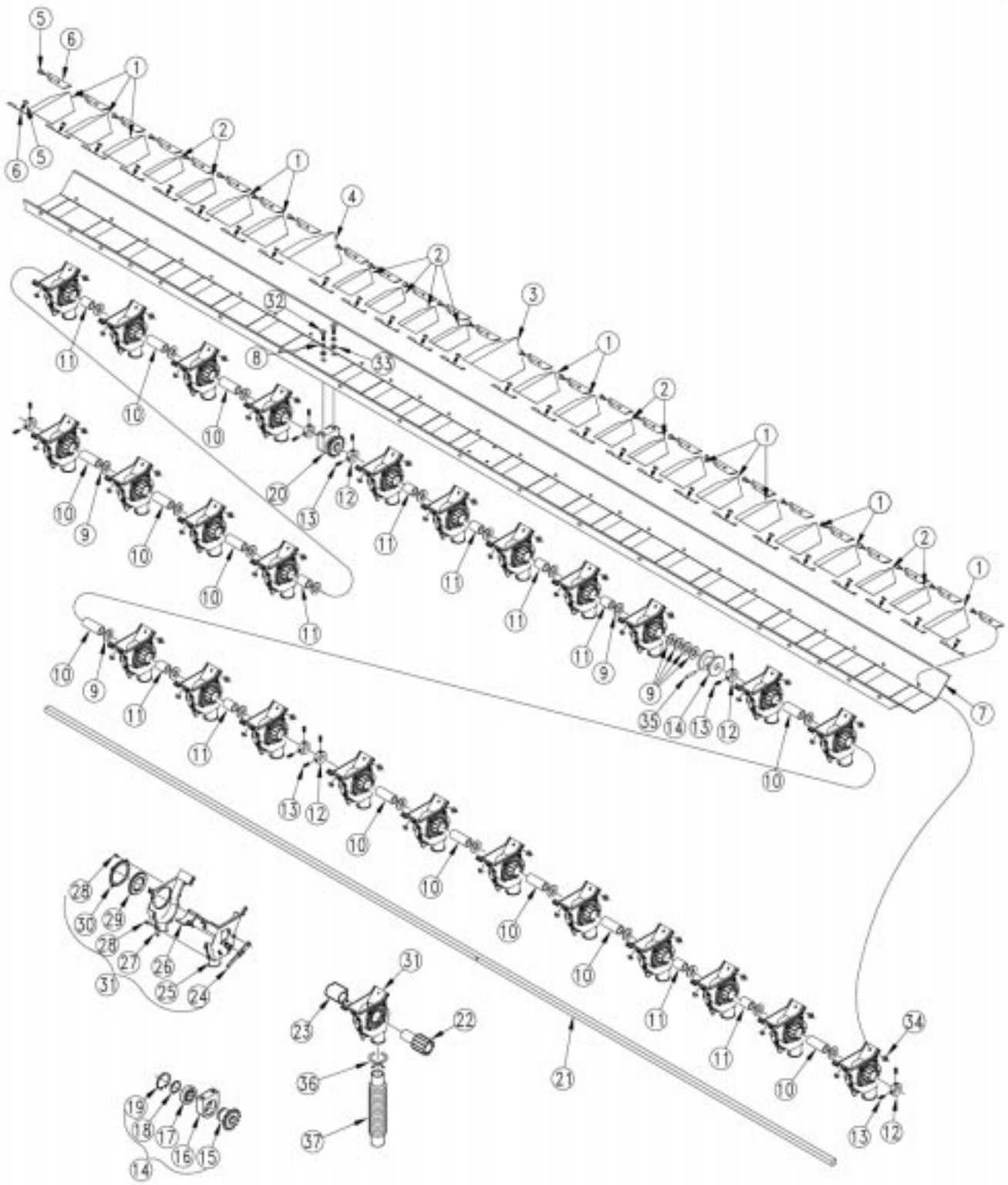
17242

6" Feeder Cup Spacing LH

Ref.	Part No.	Part Description	Comments
1.	118-431D	3 BOX DIVIDER FOR 4 7/8 ROW	
2.	118-433D	4 BOX DIVIDER FOR 5 7/8 ROW	
3.	118-432D	6 5/8 BOX DVDER FOR 8 1/2 ROW	
4.	802-004C	HHCS 1/4-20X3/4 GR5	
5.	118-341D	2SNT SEED BOX DIVIDER CLIP	
6.	195-244D	2600-6 26RW FEEDER CUP TRAY LH	
7.	804-012C	WASHER FLAT 3/8 SAE PLT	
8.	804-031C	WASHER RETAINING	
9.	118-434D	SPACER TUBE X 1.454	
10.	152-044D	2.454 FEEDER CUP SPACER	
11.	890-350C	5/8 SHAFT LOCKING COLLAR	
12.	801-035C	SCREW SET 5/16-18 SKT KP X 3/8	
13.	118-226S	FEEDER CUP BEARING ASSEMBLY	
14.	118-508D	BEARING HUB 40A15	
15.	118-336D	FEEDER CUP BEARING HOUSING	
16.	822-103C	BRG 30MM B X 55MM OD	
17.	800-004C	SNAP RING EXT BASIC 1.880	
18.	800-107C	SNAP RING INT 2.165	
19.	109-091D	MACHINED ADJUSTMENT SPOOL	
20.	175-233D	13' EW FD CUP SQ DRIVE BAR	
21.	890-190C	PM SEED CUP SPROCKET	
22.	817-074C	SEED CUP SLEEVE	
23.	817-071C	SEED CUP ADJUSTMENT HANDLE	
24.	817-069C	SEED CUP RIGHT HALF	
25.	817-070C	SEED CUP DOOR	
26.	817-068C	SEED CUP LEFT HALF	
27.	801-057C	SCR SELF TAP 8X3/8 TYPE25 BT	
28.	817-004C	NYLON WASHER-SPLIT	
29.	817-073C	SEED CUP WASHER RETAINER	
30.	817-075C	SEED CUP ASSEMBLY	
31.	802-014C	HHCS 3/8-16X3/4 GR5	
32.	804-013C	WASHER LOCK SPRING 3/8 PLT	
33.	803-194C	NUT HEX WHIZ 1/4-20 PLT	
34.	805-023C	PIN ROLL 3/16X1 1/4 PLT	
35.	800-009C	CLAMP HOSE 1 5/8 NO. 26	
36.	816239C	SEED HOSE 56 RIBS X 11 LONG	

Legend: ● = 1st revision; ● = 2nd revision; ● = 3rd revision; ● = use up existing stock; ⊗ = not interchangeable; ⊗ ① ● = for example: revision 2 is not interchangeable w/revision 1

6" Feeder Cup Spacing RH



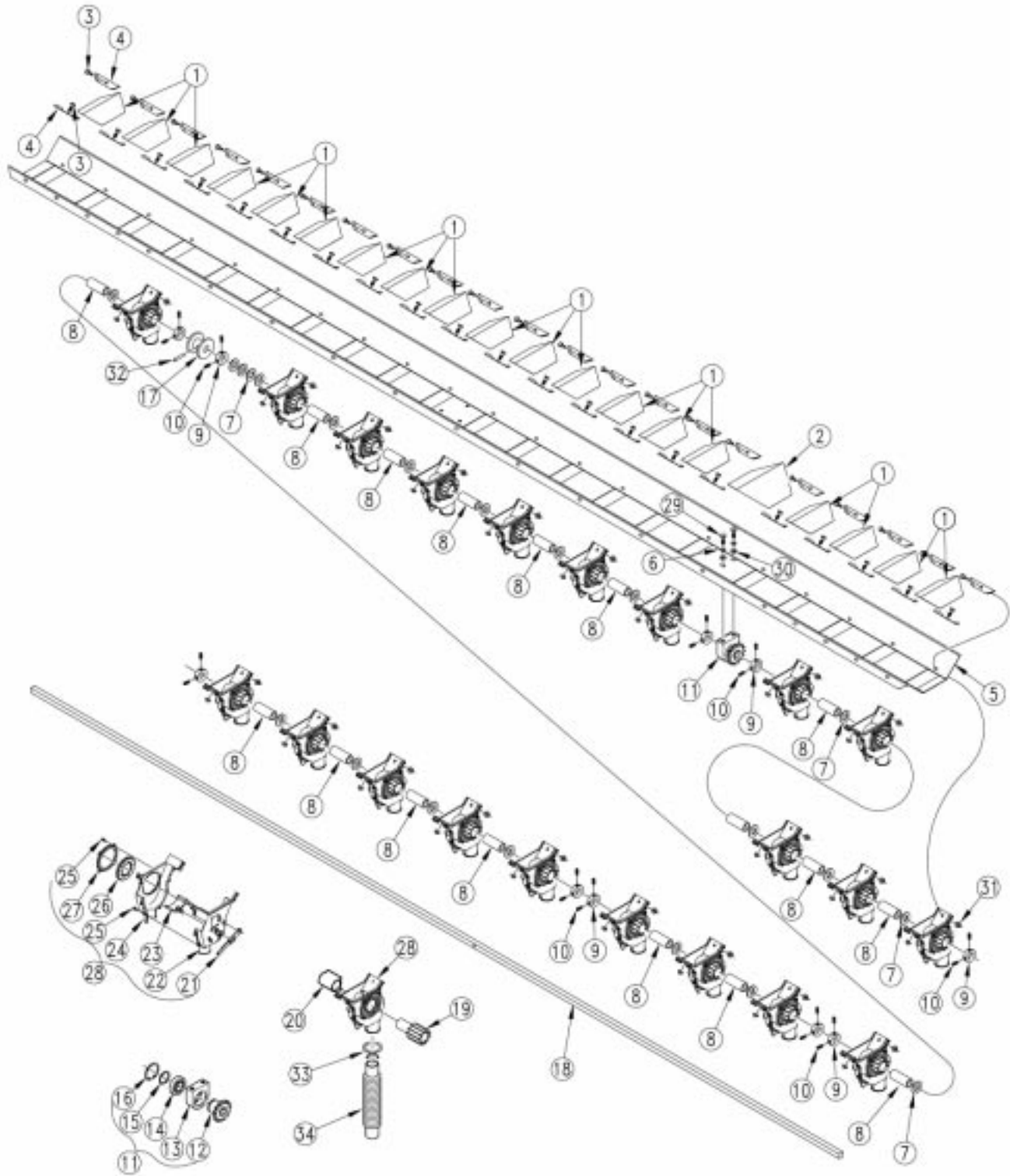
17243

6" Feeder Cup Spacing RH

Ref.	Part No.	Part Description	Comments
1.	118-433D	4 BOX DIVIDER FOR 5 7/8 ROW	
2.	118-431D	3 BOX DIVIDER FOR 4 7/8 ROW	
3.	118-437D	5 1/8 BOX DIVIDER FOR 7 ROW	
4.	118-432D	6 5/8 BOX DVDER FOR 8 1/2 ROW	
5.	802-004C	HHCS 1/4-20X3/4 GR5	
6.	118-341D	2SNT SEED BOX DIVIDER CLIP	
7.	195-236D	2600-6 26RW FEEDER CUP TRAY RH	
8.	804-012C	WASHER FLAT 3/8 SAE PLT	
9.	804-031C	WASHER RETAINING	
10.	118-434D	SPACER TUBE X 1.454	
11.	152-044D	2.454 FEEDER CUP SPACER	
12.	890-350C	5/8 SHAFT LOCKING COLLAR	
13.	801-035C	SCREW SET 5/16-18 SKT KP X 3/8	
14.	118-226S	FEEDER CUP BEARING ASSEMBLY	
15.	118-508D	BEARING HUB 40A15	
16.	118-336D	FEEDER CUP BEARING HOUSING	
17.	822-103C	BRG 30MM B X 55MM OD	
18.	800-004C	SNAP RING EXT BASIC 1.880	
19.	800-107C	SNAP RING INT 2.165	
20.	109-091D	MACHINED ADJUSTMENT SPOOL	
21.	175-233D	13' EW FD CUP SQ DRIVE BAR	
22.	890-190C	PM SEED CUP SPROCKET	
23.	817-074C	SEED CUP SLEEVE	
24.	817-071C	SEED CUP ADJUSTMENT HANDLE	
25.	817-069C	SEED CUP RIGHT HALF	
26.	817-070C	SEED CUP DOOR	
27.	817-068C	SEED CUP LEFT HALF	
28.	801-057C	SCR SELF TAP 8X3/8 TYPE25 BT	
29.	817-004C	NYLON WASHER-SPLIT	
30.	817-073C	SEED CUP WASHER RETAINER	
31.	817-075C	SEED CUP ASSEMBLY	
32.	802-014C	HHCS 3/8-16X3/4 GR5	
33.	804-013C	WASHER LOCK SPRING 3/8 PLT	
34.	803-194C	NUT HEX WHIZ 1/4-20 PLT	
35.	805-023C	PIN ROLL 3/16X1 1/4 PLT	
36.	800-009C	CLAMP HOSE 1 5/8 NO. 26	
37.	816-239C	SEED HOSE 56 RIBS X 11 LONG	

Legend: ● = 1st revision; ● = 2nd revision; ● = 3rd revision; ● = use up existing stock; ⊗ = not interchangeable; ⊗ ① ● = for example: revision 2 is not interchangeable w/revision 1

7.5" Feeder Cup Spacing LH



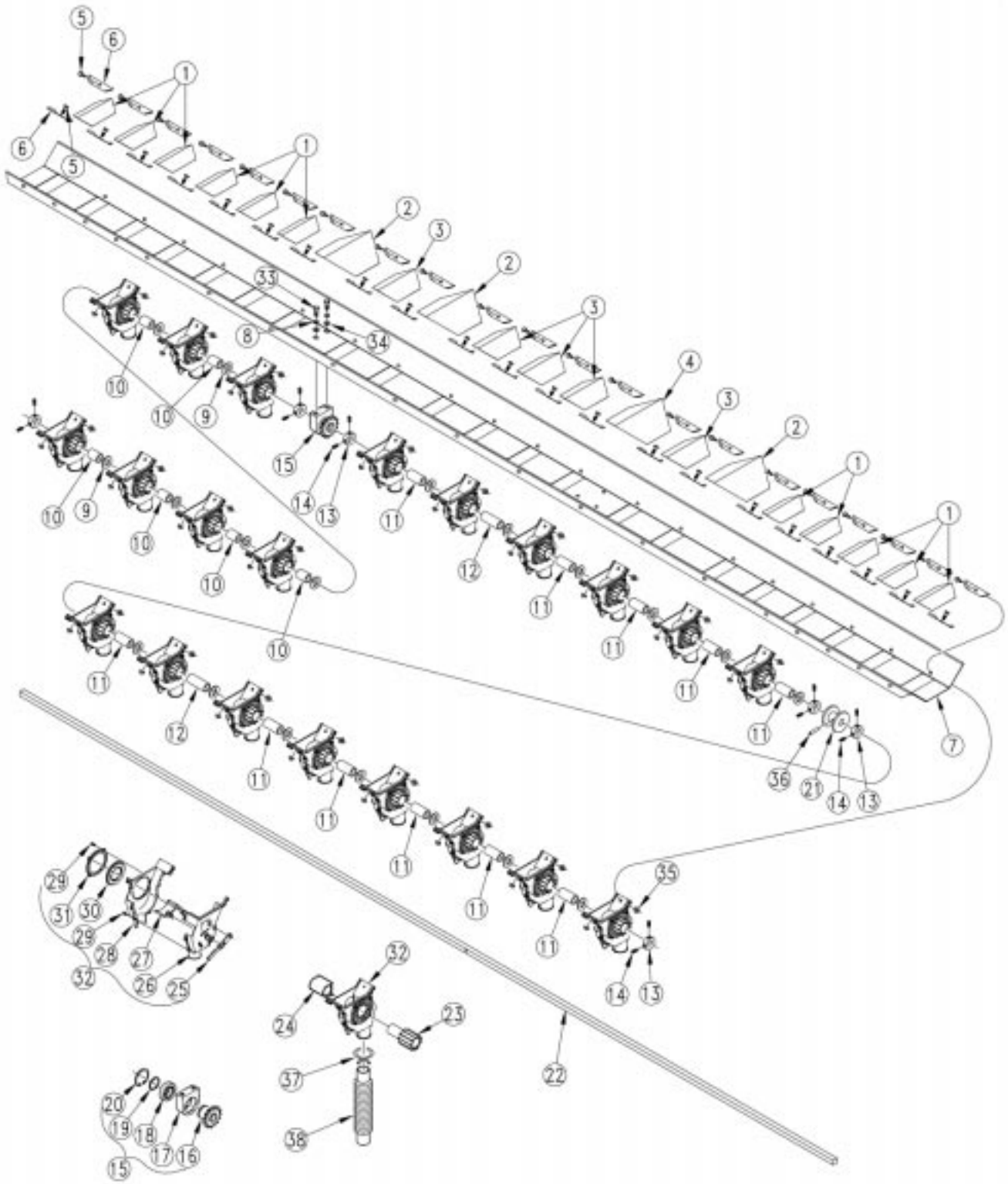
17244

7.5" Feeder Cup Spacing LH

Ref.	Part No.	Part Description	Comments
1.	118-437D	5 1/8 BOX DIVIDER FOR 7 ROW	
2.	118-467D	7 1/16 BOX DIVIDER - 7 1/2	
3.	802-004C	HHCS 1/4-20X3/4 GR5	
4.	118-341D	2SNT SEED BOX DIVIDER CLIP	
5.	195-245D	2600-7.5 26RW FEEDER CUP TRAY LH	
6.	804-012C	WASHER FLAT 3/8 SAE PLT	
7.	804-031C	WASHER RETAINING	
8.	118-438D	SPACER TUBE X 3.579	
9.	890-350C	5/8 SHAFT LOCKING COLLAR	
10.	801-035C	SCREW SET 5/16-18 SKT KP X 3/8	
11.	118-226S	FEEDER CUP BEARING ASSEMBLY	
12.	118-508D	BEARING HUB 40A15	
13.	118-336D	FEEDER CUP BEARING HOUSING	
14.	822-103C	BRG 30MM B X 55MM OD	
15.	800-004C	SNAP RING EXT BASIC 1.880	
16.	800-107C	SNAP RING INT 2.165	
17.	109-091D	MACHINED ADJUSTMENT SPOOL	
18.	175-233D	13' EW FD CUP SQ DRIVE BAR	
19.	890-190C	PM SEED CUP SPROCKET	
20.	817-074C	SEED CUP SLEEVE	
21.	817-071C	SEED CUP ADJUSTMENT HANDLE	
22.	817-069C	SEED CUP RIGHT HALF	
23.	817-070C	SEED CUP DOOR	
24.	817-068C	SEED CUP LEFT HALF	
25.	801-057C	SCR SELF TAP 8X3/8 TYPE25 BT	
26.	817-004C	NYLON WASHER-SPLIT	
27.	817-073C	SEED CUP WASHER RETAINER	
28.	817-075C	SEED CUP ASSEMBLY	
29.	802-014C	HHCS 3/8-16X3/4 GR5	
30.	804-013C	WASHER LOCK SPRING 3/8 PLT	
31.	803-194C	NUT HEX WHIZ 1/4-20 PLT	
32.	805-023C	PIN ROLL 3/16X1 1/4 PLT	
33.	800-009C	CLAMP HOSE 1 5/8 NO. 26	
34.	816-239C	SEED HOSE 56 RIBS X 11 LONG	

Legend: ● = 1st revision; ● = 2nd revision; ● = 3rd revision; ● = use up existing stock; ⊗ = not interchangeable; ⊗ ① ● = for example: revision 2 is not interchangeable w/revision 1

7.5" Feeder Cup Spacing RH



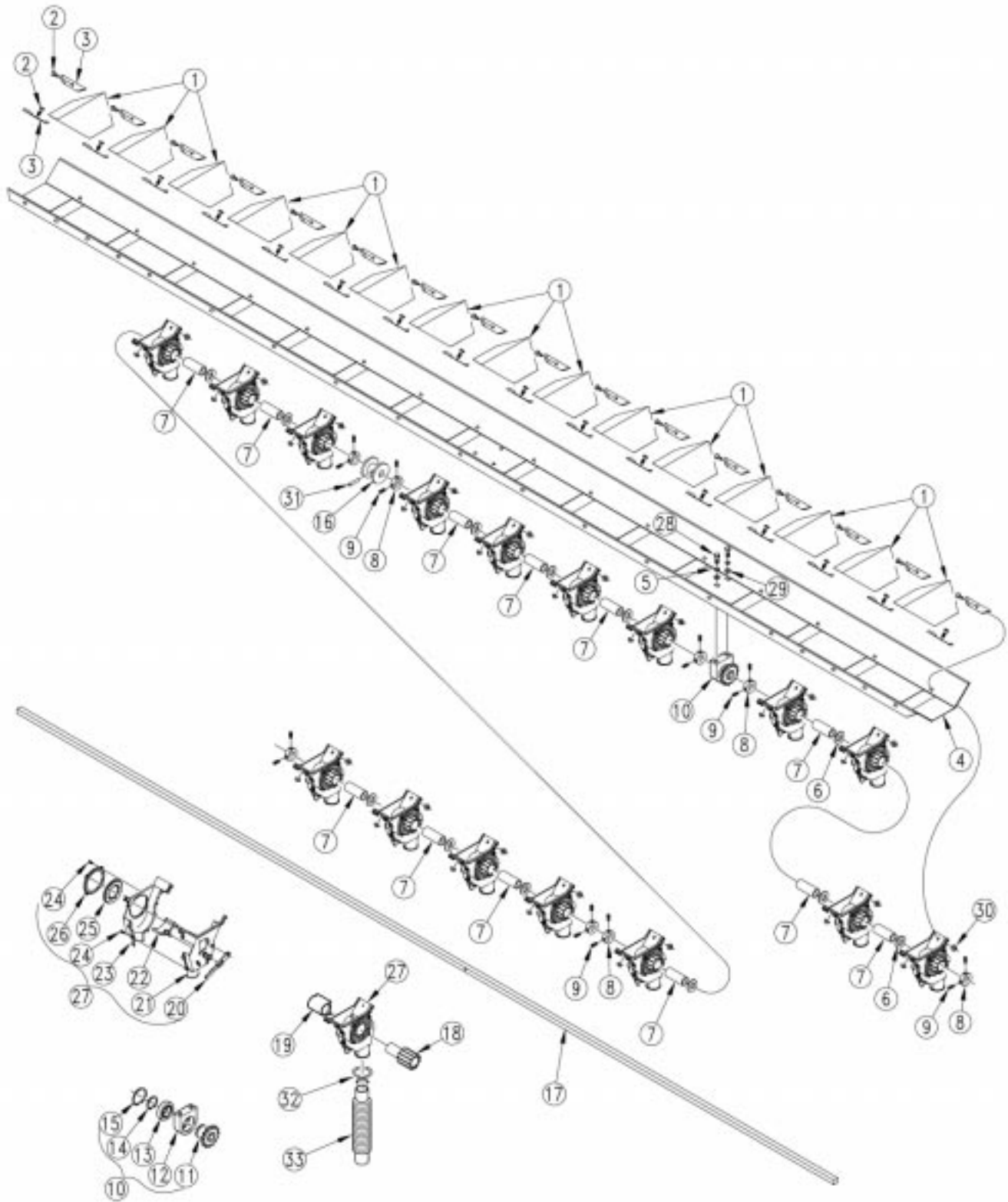
17245

7.5" Feeder Cup Spacing RH

Ref.	Part No.	Part Description	Comments
1.	118-466D	4 1/2 BOX DIVIDER - 7 1/2	
2.	118-432D	6 5/8 BOX DVDER FOR 8 1/2 ROW	
3.	118-437D	5 1/8 BOX DIVIDER FOR 7 ROW	
4.	118-338D	7 1/4 BOX DVDR FOR 7 1/2 ROW	
5.	802-004C	HHCS 1/4-20X3/4 GR5	
6.	118-341D	2SNT SEED BOX DIVIDER CLIP	
7.	195-237D	2600-7.5 21RW FEEDERCUP TRAYRH	
8.	804-012C	WASHER FLAT 3/8 SAE PLT	
9.	804-031C	WASHER RETAINING	
10.	118-468D	SPACER TUBE X 2.954	
11.	118-438D	SPACER TUBE X 3.579	
12.	118-440D	SPACER TUBE X 5.079	
13.	890-350C	5/8 SHAFT LOCKING COLLAR	
14.	801-035C	SCREW SET 5/16-18 SKT KP X 3/8	
15.	118-226S	FEEDER CUP BEARING ASSEMBLY	
16.	118-508D	BEARING HUB 40A15	
17.	118-336D	FEEDER CUP BEARING HOUSING	
18.	822-103C	BRG 30MM B X 55MM OD	
19.	800-004C	SNAP RING EXT BASIC 1.880	
20.	800-107C	SNAP RING INT 2.165	
21.	109-091D	MACHINED ADJUSTMENT SPOOL	
22.	175-233D	13' EW FD CUP SQ DRIVE BAR	
23.	890-190C	PM SEED CUP SPROCKET	
24.	817-074C	SEED CUP SLEEVE	
25.	817-071C	SEED CUP ADJUSTMENT HANDLE	
26.	817-069C	SEED CUP RIGHT HALF	
27.	817-070C	SEED CUP DOOR	
28.	817-068C	SEED CUP LEFT HALF	
29.	801-057C	SCR SELF TAP 8X3/8 TYPE25 BT	
30.	817-004C	NYLON WASHER-SPLIT	
31.	817-073C	SEED CUP WASHER RETAINER	
32.	817-075C	SEED CUP ASSEMBLY	
33.	802-014C	HHCS 3/8-16X3/4 GR5	
34.	804-013C	WASHER LOCK SPRING 3/8 PLT	
35.	803-194C	NUT HEX WHIZ 1/4-20 PLT	
36.	805-023C	PIN ROLL 3/16X1 1/4 PLT	
37.	800-009C	CLAMP HOSE 1 5/8 NO. 26	
38.	816-239C	SEED HOSE 56 RIBS X 11 LONG	

Legend: ● = 1st revision; ● = 2nd revision; ● = 3rd revision; ● = use up existing stock; ⊗ = not interchangeable; ⊗ ① ● = for example: revision 2 is not interchangeable w/revision 1

10" Feeder Cup Spacing LH



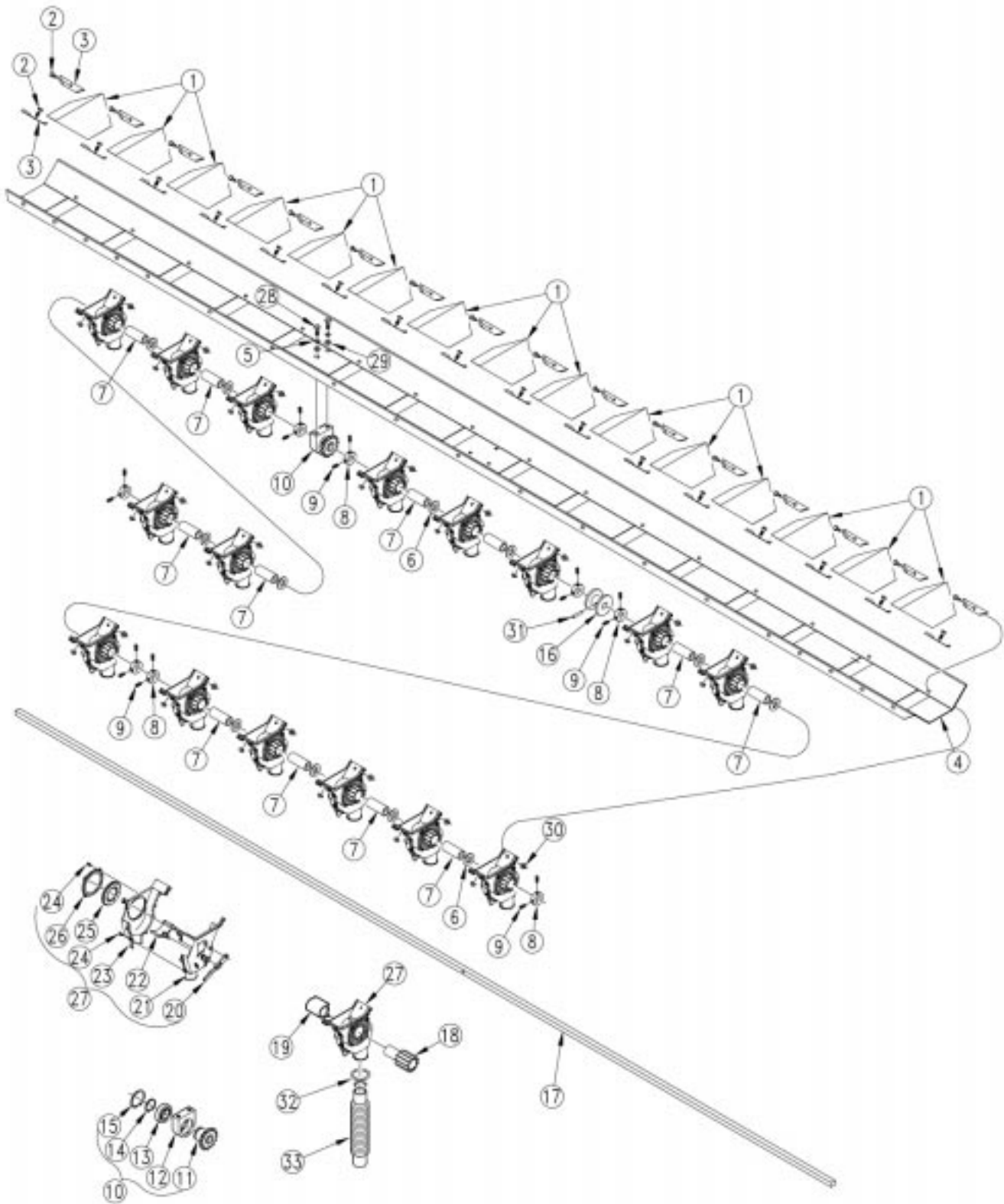
17246

10" Feeder Cup Spacing LH

Ref.	Part No.	Part Description	Comments
1.	118-338D	7 1/4 BOX DVDR FOR 7 1/2 ROW	
2.	802-004C	HHCS 1/4-20X3/4 GR5	
3.	118-341D	2SNT SEED BOX DIVIDER CLIP	
4.	195-246D	2600-10 16RW FEEDER CUP TRAYLH	
5.	804-012C	WASHER FLAT 3/8 SAE PLT	
6.	804-031C	WASHER RETAINING	
7.	175-280D	13' EW SPACER TUBE X 5.704	
8.	890-350C	5/8 SHAFT LOCKING COLLAR	
9.	801-035C	SCREW SET 5/16-18 SKT KP X 3/8	
10.	118-226S	FEEDER CUP BEARING ASSEMBLY	
11.	118-508D	BEARING HUB 40A15	
12.	118-336D	FEEDER CUP BEARING HOUSING	
13.	822-103C	BRG 30MM B X 55MM OD	
14.	800-004C	SNAP RING EXT BASIC 1.880	
15.	800-107C	SNAP RING INT 2.165	
16.	109-091D	MACHINED ADJUSTMENT SPOOL	
17.	175-233D	13' EW FD CUP SQ DRIVE BAR	
18.	890-190C	PM SEED CUP SPROCKET	
19.	817-074C	SEED CUP SLEEVE	
20.	817-071C	SEED CUP ADJUSTMENT HANDLE	
21.	817-069C	SEED CUP RIGHT HALF	
22.	817-070C	SEED CUP DOOR	
23.	817-068C	SEED CUP LEFT HALF	
24.	801-057C	SCR SELF TAP 8X3/8 TYPE25 BT	
25.	817-004C	NYLON WASHER-SPLIT	
26.	817-073C	SEED CUP WASHER RETAINER	
27.	817-075C	SEED CUP ASSEMBLY	
28.	802-014C	HHCS 3/8-16X3/4 GR5	
29.	804-013C	WASHER LOCK SPRING 3/8 PLT	
30.	803-194C	NUT HEX WHIZ 1/4-20 PLT	
31.	805-023C	PIN ROLL 3/16X1 1/4 PLT	
32.	800-009C	CLAMP HOSE 1 5/8 NO. 26	
33.	816-239C	SEED HOSE 56 RIBS X 11 LONG	

Legend: ● = 1st revision; ● = 2nd revision; ● = 3rd revision; ● = use up existing stock; ⊗ = not interchangeable; ⊗ ① ● = for example: revision 2 is not interchangeable w/revision 1

10" Feeder Cup Spacing RH



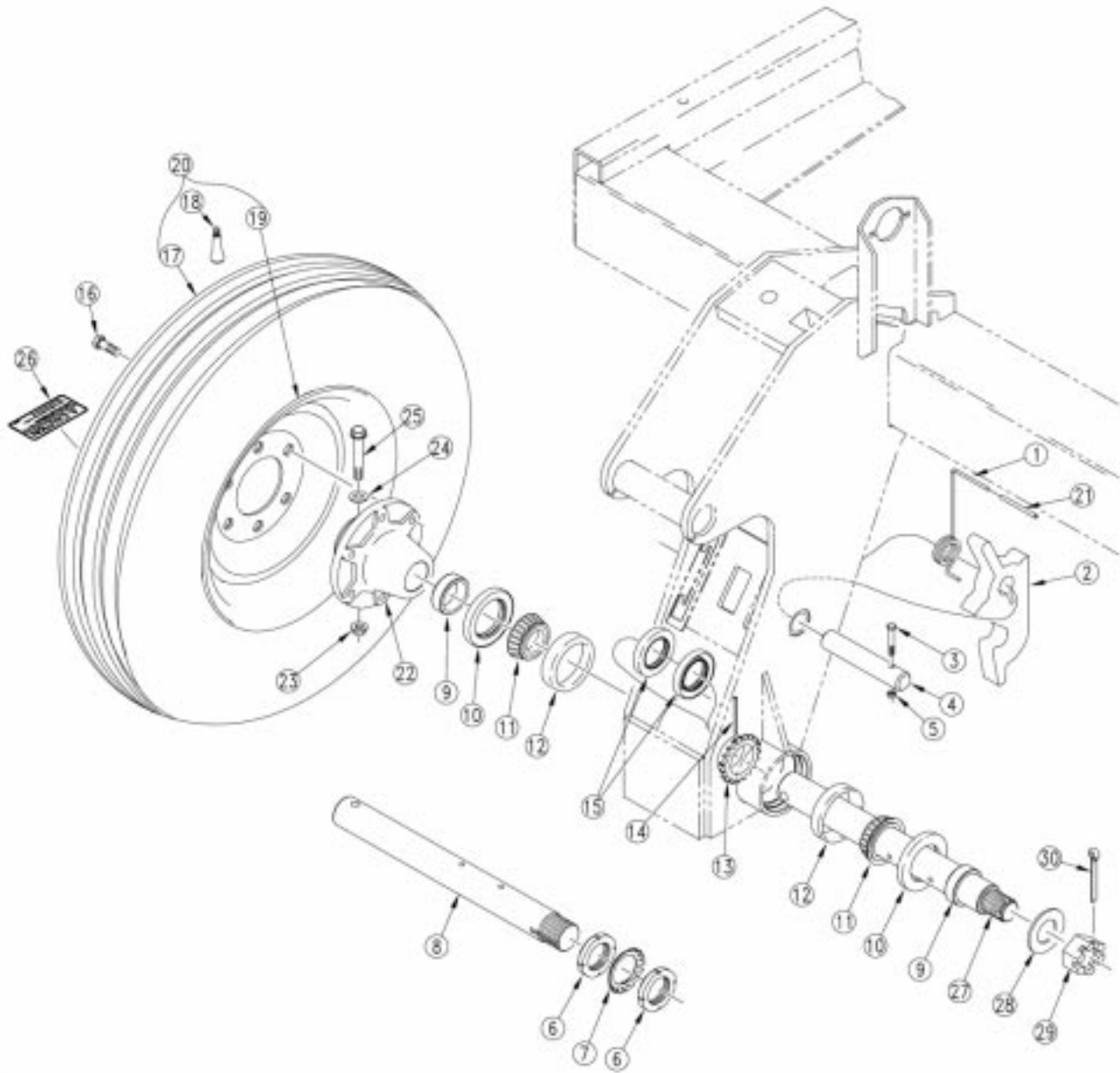
17247

10" Feeder Cup Spacing RH

Ref.	Part No.	Part Description	Comments
1.	118-338D	7 1/4 BOX DVDR FOR 7 1/2 ROW	
2.	802-004C	HHCS 1/4-20X3/4 GR5	
3.	118-341D	2SNT SEED BOX DIVIDER CLIP	
4.	195-238D	2600-10 16RW FEEDER CUP TRAYRH	
5.	804-012C	WASHER FLAT 3/8 SAE PLT	
6.	804-031C	WASHER RETAINING	
7.	175-280D	13' EW SPACER TUBE X 5.704	
8.	890-350C	5/8 SHAFT LOCKING COLLAR	
9.	801-035C	SCREW SET 5/16-18 SKT KP X 3/8	
10.	118-226S	FEEDER CUP BEARING ASSEMBLY	
11.	118-508D	BEARING HUB 40A15	
12.	118-336D	FEEDER CUP BEARING HOUSING	
13.	822-103C	BRG 30MM B X 55MM OD	
14.	800-004C	SNAP RING EXT BASIC 1.880	
15.	800-107C	SNAP RING INT 2.165	
16.	109-091D	MACHINED ADJUSTMENT SPOOL	
17.	175-233D	13' EW FD CUP SQ DRIVE BAR	
18.	890-190C	PM SEED CUP SPROCKET	
19.	817-074C	SEED CUP SLEEVE	
20.	817-071C	SEED CUP ADJUSTMENT HANDLE	
21.	817-069C	SEED CUP RIGHT HALF	
22.	817-070C	SEED CUP DOOR	
23.	817-068C	SEED CUP LEFT HALF	
24.	801-057C	SCR SELF TAP 8X3/8 TYPE25 BT	
25.	817-004C	NYLON WASHER-SPLIT	
26.	817-073C	SEED CUP WASHER RETAINER	
27.	817-075C	SEED CUP ASSEMBLY	
28.	802-014C	HHCS 3/8-16X3/4 GR5	
29.	804-013C	WASHER LOCK SPRING 3/8 PLT	
30.	803-194C	NUT HEX WHIZ 1/4-20 PLT	
31.	805-023C	PIN ROLL 3/16X1 1/4 PLT	
32.	800-009C	CLAMP HOSE 1 5/8 NO. 26	
33.	816-239C	SEED HOSE 56 RIBS X 11 LONG	

Legend: ● = 1st revision; ● = 2nd revision; ● = 3rd revision; ● = use up existing stock; ⊗ = not interchangeable; ⊗ ① ● = for example: revision 2 is not interchangeable w/revision 1

Single Gauge Wheel



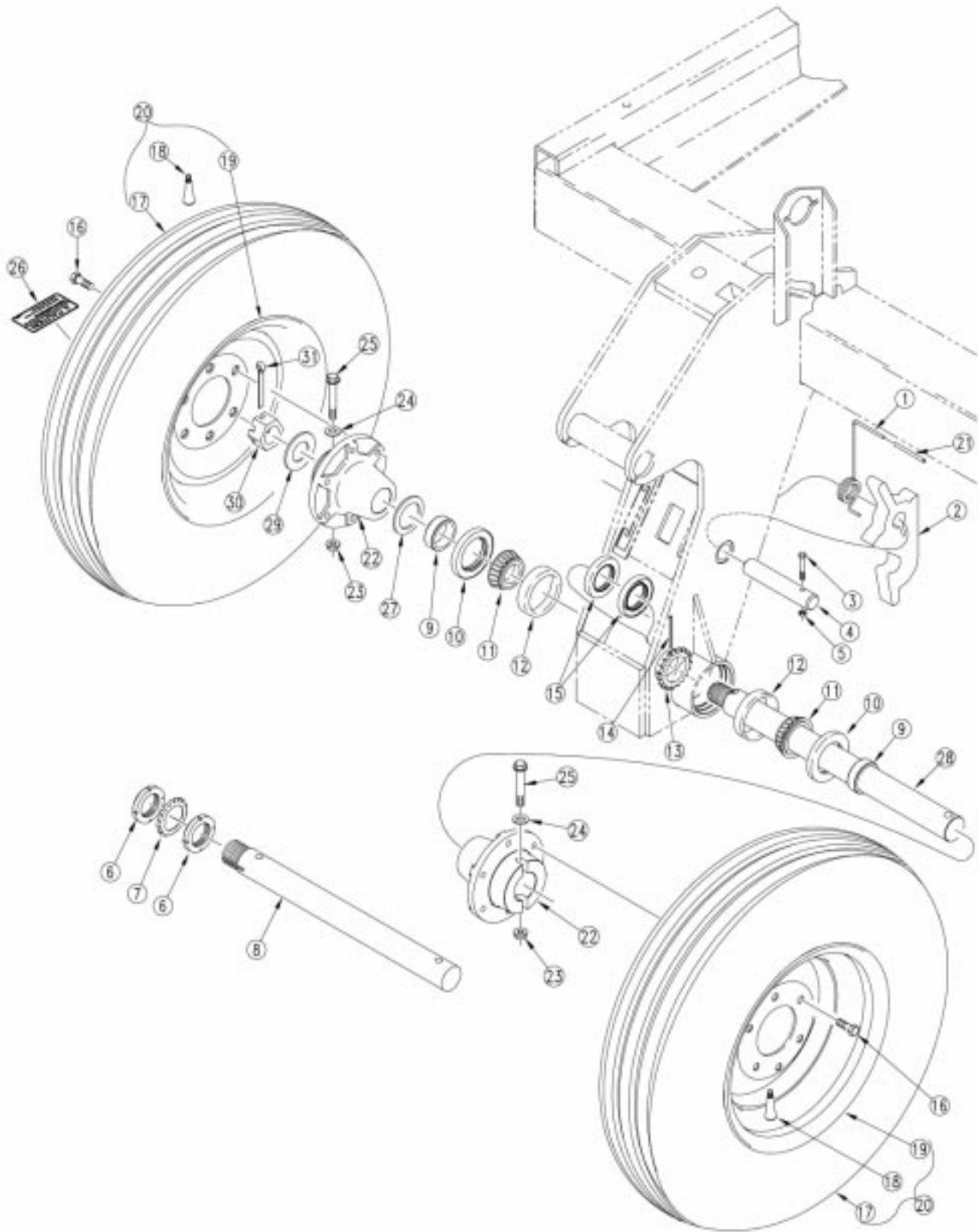
17248

Single Gauge Wheel

Ref.	Part No.	Part Description	Comments
1.	194-274D	3S TORSION SPRING HANDLE RH	Shown
	194-273D	3S TORSION SPRING HANDLE LH	
2.	195-159D	SUBFRAME LOCK HOOK	
3.	802-138C	HHCS 5/16-18X2 1/4 GR5	
4.	195-160D	GAUGE WHEEL LOCK PIN	
5.	803-011C	NUT LOCK 5/16-18 PLT	
6.	803-208C	NUT BEARING LOCK, TN-10	S/N DD1128-
7.	804-098C	WASHER BEARING LOCK, TW110	S/N DD1128-
8.	195-230D	SPNDLE 2"W/5/8 CROSS HOLE SNGL	S/N DD1128-
9.	120-198D	AXLE SPACER TUBE	
10.	816-138C	SEAL DBL LIP 2.5 ID X 3.881 OD	
11.	822-117C	BEARING CONE 2 TIM33889	
12.	822-118C	BEARING CUP 2 TIM33821	
13.	808-287C	SPKT 50B19C2B W/5/16 HOLE	S/N DD1083+
	808-097C	SPKT 40B19X2B W/5/16 HOLE	S/N DD1082-
14.	805-030C	PIN ROLL 5/16 X 3 PLT	
15.	816-012C	SEAL 3.375 X 2.0 X.438 CR20125	
16.	802-104C	BOLT WHEEL 1/2-20X1 90-DEG	
17.	814-026C	TIRE 9.5L X 15 6 PLY RIB IMP	
18.	816-035C	VALVE STEM TR415X.625X1 1/4 LG	
19.	814-008C	WHEEL 8 X 15 X 6 BOLT	
20.	161-046K	6 BOLT WHL&TIRE 6 PLY TUBELESS	
21.	816-241C	RUBBER HANDLE GRIP.2071DX3 1/2	
22.	152-390D	6-BOLT HEAVY DRIVE HUB 2 BORE	
23.	803-263C	NUT HEX FLANGE LOCK 5/8-11 PLT	
24.	804-095C	WASHER FLAT 5/8 HARD ASTM436	
25.	802-687C	HHCS 5/8-11X4 SPTHD GR8	
26.	818-751C	DECAL CAUTION TIRE 32 PSI	
27.	195-266D	SPNDL 2 X 19.20 W/ 1.5-12 THD	S/N DD1129+
28.	804-182C	WASHER HARD 1 1/2 MILCARB GR8	S/N DD1129+
29.	803-239C	NUT HEX SLOTTED 1 1/2-12	S/N DD1129+
30.	805-148C	PIN COTTER 3/8 X 3 PLT	S/N DD1129+

Legend: ● = 1st revision; ● = 2nd revision; ● = 3rd revision; ● = use up existing stock; ⊗ = not interchangeable; ⊗ ⊕ ● = for example: revision 2 is not interchangeable w/revision 1

Dual Gauge Wheel



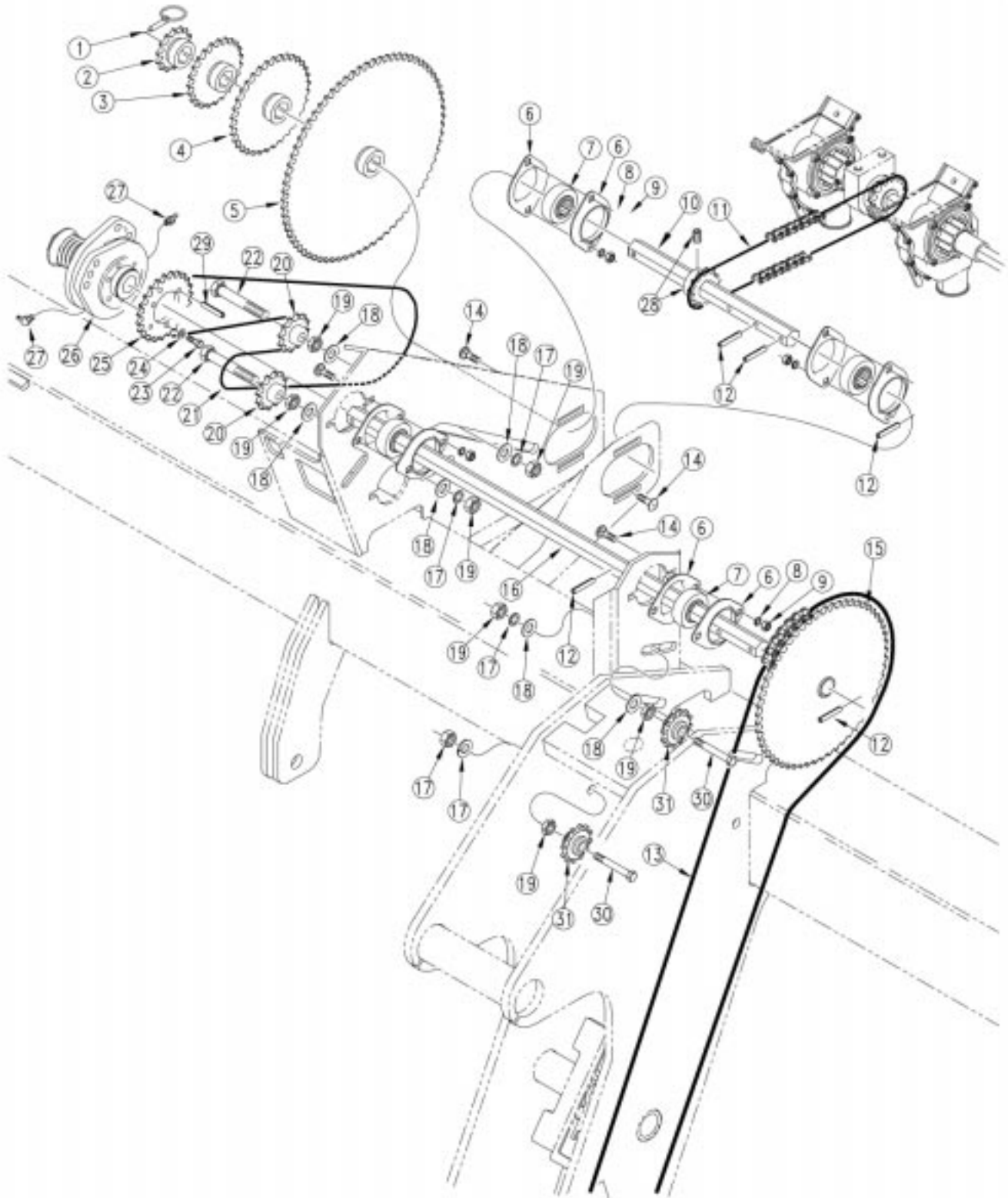
17249

Dual Gauge Wheel

Ref.	Part No.	Part Description	Comments
1.	194-274D	3S TORSION SPRING HANDLE RH	Shown
	194-273D	3S TORSION SPRING HANDLE LH	
2.	195-159D	SUBFRAME LOCK HOOK	
3.	802-138C	HHCS 5/16-18X2 1/4 GR5	
4.	195-160D	GAUGE WHEEL LOCK PIN	
5.	803-011C	NUT LOCK 5/16-18 PLT	
6.	803-208C	NUT BEARING LOCK, TN-10	S/N DD1128-
7.	804-098C	WASHER BEARING LOCK, TW110	S/N DD1128-
8.	195-229D	SPNDLE 2"W/5/8 CROSS HOLE DUAL	S/N DD1128-
9.	120-198D	AXLE SPACER TUBE	
10.	816-138C	SEAL DBL LIP 2.5 ID X 3.881 OD	
11.	822-117C	BEARING CONE 2 TIM33889	
12.	822-118C	BEARING CUP 2 TIM33821	
13.	808-287C	SPKT 50B19C2B W/5/16 HOLE	S/N DD1083+
	808-097C	SPKT 40B19X2B W/5/16 HOLE	S/N DD1082-
14.	805-030C	PIN ROLL 5/16 X 2 1/2 PLT	
15.	816-012C	SEAL 3.375 X 2.0 X.438 CR20125	
16.	802-104C	BOLT WHEEL 1/2-20X1 90-DEG	
17.	814-026C	TIRE 9.5L X 15 6 PLY RIB IMP	
18.	816-035C	VALVE STEM TR415X.625X1 1/4 LG	
19.	814-008C	WHEEL 8 X 15 X 6 BOLT	
20.	161-046K	6 BOLT WHL&TIRE 6 PLY TUBELESS	
21.	816-241C	RUBBER HANDLE GRIP.2071DX3 1/2	
22.	152-390D	6-BOLT HEAVY DRIVE HUB 2 BORE	
23.	803-263C	NUT HEX FLANGE LOCK 5/8-11 PLT	
24.	804-095C	WASHER FLAT 5/8 HARD ASTM F436	
25.	802-687C	HHCS 5/8-11X4 SPTH D GR8	
26.	818-751C	DECAL CAUTION TIRE 32 PSI	
27.	195-234D	WASHER FLAT 2 ID X 2 5/8 X 10G	S/N DD1129+
28.	195-265D	SPNDL 2 X 24.70 W/ 1.5-12 THD	S/N DD1129+
29.	804-182C	WASHER HARD 1 1/2 MILCARB GR8	S/N DD1129+
30.	803-239C	NUT HEX SLOTTED 1 1/2-12	S/N DD1129+
31.	805-148C	PIN COTTER 3/8 X 3 PLT	S/N DD1129+

Legend: ● = 1st revision; ● = 2nd revision; ● = 3rd revision; ● = use up existing stock; ⊗ = not interchangeable; ⊗ ⊕ ● = for example: revision 2 is not interchangeable w/revision 1

Left Hand Drive (S/N DD 1151-)



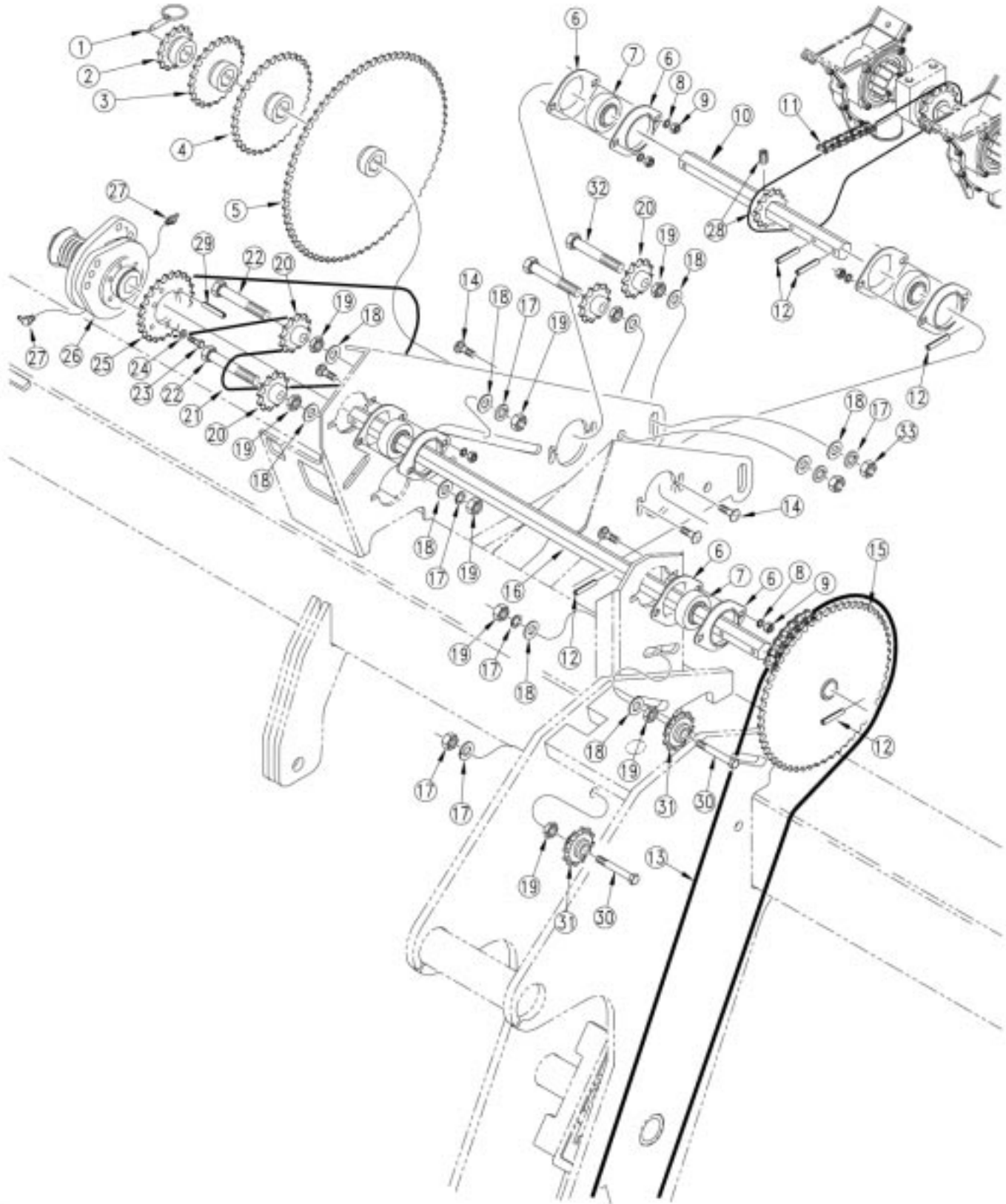
17251

Left Hand Drive (S/N DD 1151-)

Ref.	Part No.	Part Description	Comments
1.	805-240C	PIN LYNCH 3/16 X 1 9/16 LONG	
2.	808-259C	SPKT 40B14 X 7/8 HEX BORE	
3.	808-256C	SPKT 40B23 X 7/8 HEX BORE	
4.	808-257C	SPKT 40B34 X 7/8 HEX BORE	
5.	808-258C	SPKT 40B72 X 7/8 HEX BORE	
6.	822-032C	FLANGETTE 52 MST	
7.	822-119C	BRG.7/8HEX BR 52MM SPHRICAL OD	
8.	804-009C	WASHER LOCK SPRING 5/16 PLT	
9.	803-008C	NUT HEX 5/16-18 PLT	
10.	195-169D	SEED JACK SHAFT 7/8 HEX WING	
11.	136-111D	CHAIN RL #40 68 PITCHES	
12.	805-180C	PIN ROLL 1/4 X 1 1/2 LG PLT	
13.	136-175D	CHAIN RL #50 162 PITCHES	Serial #DD1083+.
	136-128D	CHAIN RL #40 190 PITCHES	Serial #DD1082-.
14.	802-282C	RHSNB 5/16-18X1 GR5	
15.	195-264H	SPKT 50A57 WITH 7/8 HEX HUB	Serial #DD1083+.
	195-139H	SPKT 40B57T WITH 7/8 HEX HUB	Serial #DD1082-.
16.	195-189D	POWER SHAFT 7/8 HEX LH	
17.	804-015C	WASHER LOCK SPRING 1/2 PLT	
18.	804-113C	WASHER FLAT 1/2 USS HARD PLT	
19.	803-036C	NUT HEX JAM 1/2-13 PLT	
20.	817-423C	NO. 50 12T IDLER SPKT.	
21.	136-122D	CHAIN RL #40 129 PITCHES	
22.	802-039C	HHCS 1/2-13X3 GR5	
23.	802-004C	HHCS 1/4-20X3/4 GR5	
24.	804-006C	WASHER LOCK SPRING 1/4 PLT	
25.	808-240C	SPKT 40A23X1.813-1.818 BR/6HOL	
26.	176-042S	JAW CLUTCH CW EXT 7/8 HEX	Refer to page 8-19
27.	800-058C	GREASE ZERK 1/4-28 X 45-DEG	
28.	808-143C	SPKT 40B12 7/8 HEX BORE W/SS	
29.	805-026C	PIN ROLL 1/4 X 3/4 PLT	
30.	802-039C	HHCS 1/2-13X3 GR5	
31.	817-423C	NO. 50 12T IDLER SPKT	Serial #DD1083+.
	817-025C	NO. 40 12T IDLER SPKT	Serial #DD1082-.

Legend: ● = 1st revision; ● = 2nd revision; ● = 3rd revision; ● = use up existing stock; ⊗ = not interchangeable; ⊗ ① ● = for example: revision 2 is not interchangeable w/revision 1

Left Hand Drive (S/N DD 1152+)



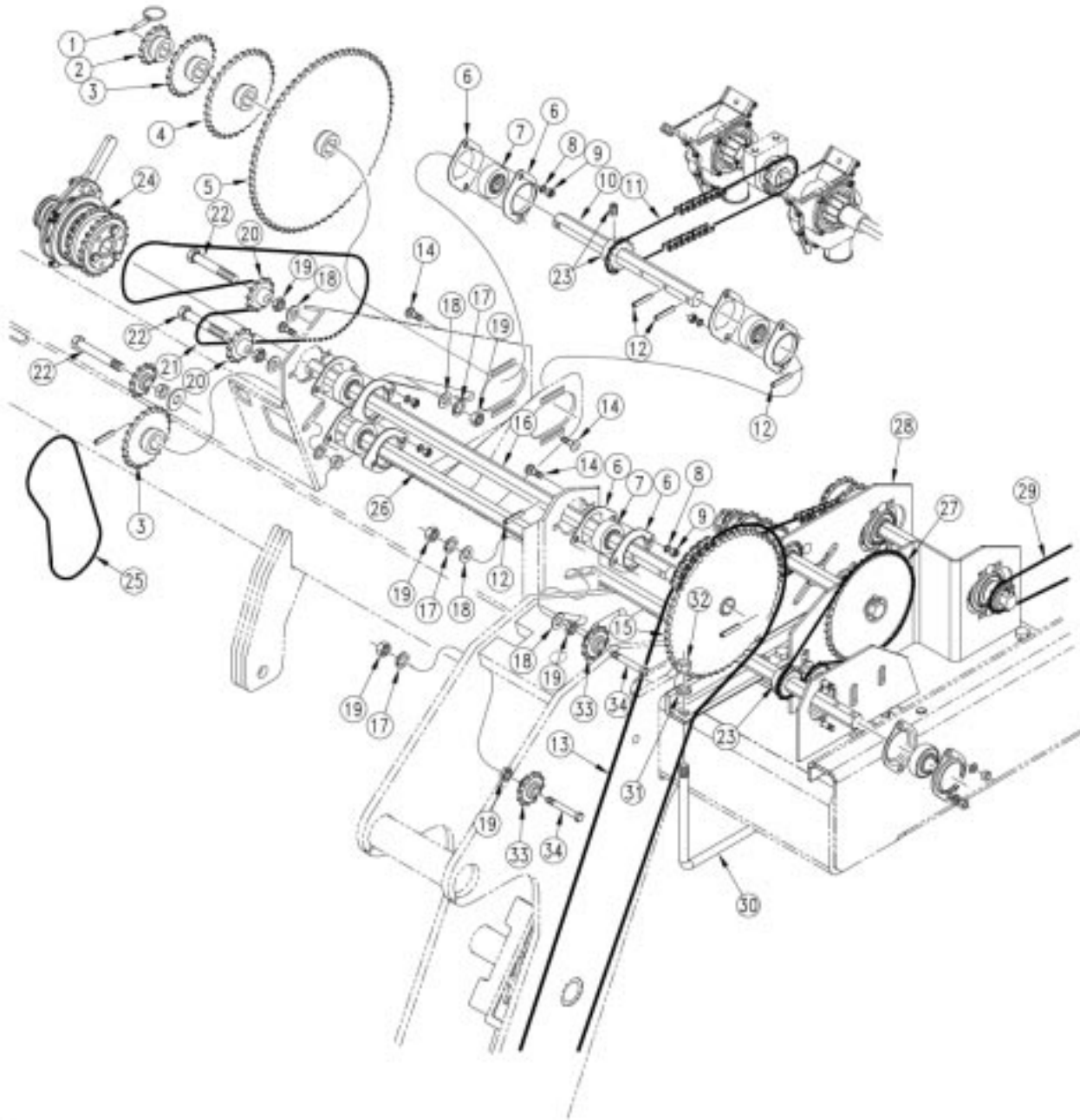
21627

Left Hand Drive (S/N DD 1152+)

Ref.	Part No.	Part Description	Comments
1.	805-240C	PIN LYNCH 3/16 X 1 9/16 LONG	
2.	808-259C	SPKT 40B14 X 7/8 HEX BORE	
3.	808-256C	SPKT 40B23 X 7/8 HEX BORE	
4.	808-257C	SPKT 40B34 X 7/8 HEX BORE	
5.	808-258C	SPKT 40B72 X 7/8 HEX BORE	
6.	822-032C	FLANGETTE 52 MST	
7.	822-119C	BRG.7/8HEX BR 52MM SPHRICAL OD	
8.	804-009C	WASHER LOCK SPRING 5/16 PLT	
9.	803-008C	NUT HEX 5/16-18 PLT	
10.	195-169D	SEED JACK SHAFT 7/8 HEX WING	
11.	136-111D	CHAIN RL #40 68 PITCHES	
12.	805-180C	PIN ROLL 1/4 X 1 1/2 LG PLT	
13.	136-175D	CHAIN RL #50 162 PITCHES	
14.	802-282C	RHSNB 5/16-18X1 GR5	
15.	195-264H	SPKT 50A57 WITH 7/8 HEX HUB	
16.	195-189D	POWER SHAFT 7/8 HEX LH	
17.	804-015C	WASHER LOCK SPRING 1/2 PLT	
18.	804-113C	WASHER FLAT 1/2 USS HARD PLT	
19.	803-036C	NUT HEX JAM 1/2-13 PLT	
20.	817-423C	NO. 50 12T IDLER SPKT.	
21.	136-122D	CHAIN RL #40 129 PITCHES	
22.	802-039C	HHCS 1/2-13X3 GR5	
23.	802-004C	HHCS 1/4-20X3/4 GR5	
24.	804-006C	WASHER LOCK SPRING 1/4 PLT	
25.	808-240C	SPKT 40A23X1.813-1.818 BR/6HOL	
26.	176-042S	JAW CLUTCH CW EXT 7/8 HEX	Refer to page 8-19
27.	800-058C	GREASE ZERK 1/4-28 X 45-DEG	
28.	808-143C	SPKT 40B12 7/8 HEX BORE W/SS	
29.	805-026C	PIN ROLL 1/4 X 3/4 PLT	
30.	802-039C	HHCS 1/2-13X3 GR5	
31.	817-423C	NO. 50 12T IDLER SPKT	
32.	802-413C	HHCS 1/2-13X4 1/2 GR5	
33.	803-169C	NUT HEX FLG. LOCK 1/2-13 PLT.	

Legend: ● = 1st revision; ● = 2nd revision; ● = 3rd revision; ● = use up existing stock; ⊗ = not interchangeable; ⊗ ① ● = for example: revision 2 is not interchangeable w/revision 1

Left Hand Drive Fertilizer (S/N DD 1151-)



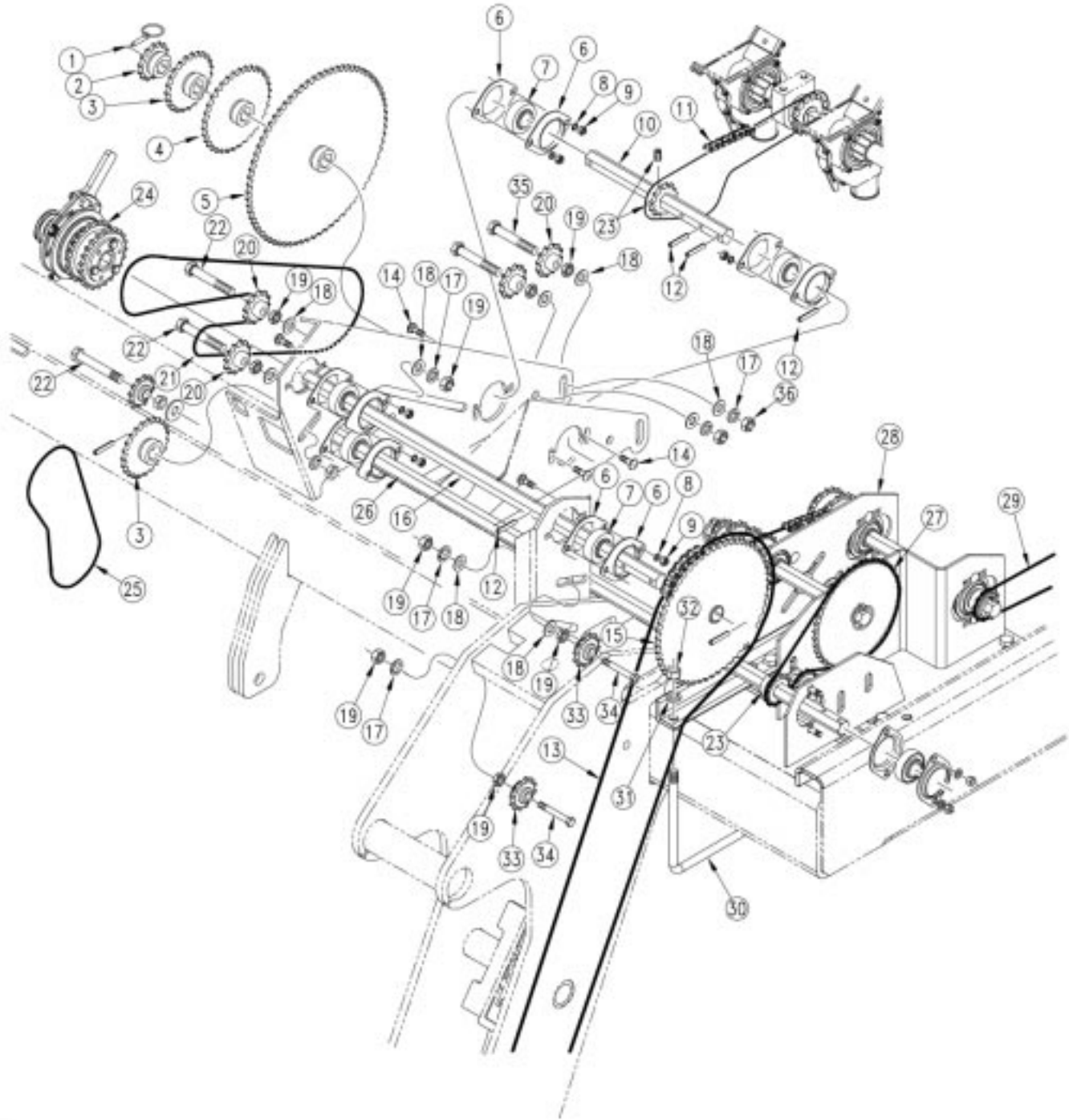
19318

Left Hand Drive Fertilizer (S/N DD 1151-)

Ref.	Part No.	Part Description	Comments
1.	805-240C	PIN LYNCH 3/16 X 1 9/16 LONG	
2.	808-259C	SPKT 40B14 X 7/8 HEX BORE	
3.	808-256C	SPKT 40B23 X 7/8 HEX BORE	
4.	808-257C	SPKT 40B34 X 7/8 HEX BORE	
5.	808-258C	SPKT 40B72 X 7/8 HEX BORE	
6.	822-032C	FLANGETTE 52 MST	
7.	822-119C	BRG.7/8HEX BR 52MM SPHRICAL OD	
8.	804-009C	WASHER LOCK SPRING 5/16 PLT	
9.	803-008C	NUT HEX 5/16-18 PLT	
10.	195-169D	SEED JACK SHAFT 7/8 HEX WING	
11.	136-111D	CHAIN RL #40 68 PITCHES	
12.	805-180C	PIN ROLL 1/4 X 1 1/2 LG PLT	
13.	136-175D	CHAIN RL #50 162 PITCHES	
14.	802-282C	RHSNB 5/16-18X1 GR5	
15.	195-264H	SPKT 50A57 WITH 7/8 HEX HUB	
16.	195-189D	POWER SHAFT 7/8 HEX LH	
17.	804-015C	WASHER LOCK SPRING 1/2 PLT	
18.	804-113C	WASHER FLAT 1/2 USS HARD PLT	
19.	803-036C	NUT HEX JAM 1/2-13 PLT	
20.	817-025C	NO. 40 12T IDLER SPKT.	
21.	136-122D	CHAIN RL #40 129 PITCHES	
22.	802-041C	HHCS 1/2-13X3 1/2 GR5	
23.	808-143C	SPKT 40B12 7/8 HEX BORE W/SS	
24.	195-187K	3S-3000F LH WING CLUTCH ASSY	Refer to page 8-21
25.	136-064D	CHAIN RL #40 51 PITCHES	
26.	195-241D	AUXILIRY POWER HEX 7/	
27.	136-151D	CHAIN RL #40 59 PITCHES	
28.	195-184S	FERTILIZER DRIVE SUBASSY LH	Refer to page 8-25
29.	136-044D	CHAIN RL #40 109 PITCHES	
30.	806-060C	U-BOLT 1/2-13 X 6 1/32 X 7 1/4	
31.	804-015C	WASHER LOCK SPRING 1/2 PLT	
32.	803-020C	NUT HEX 1/2-13 PLT	
33.	817-423C	NO. 50 12T IDLER SPKT	
34.	802-039C	HHCS 1/2-13X3 GR5	

Legend: ● = 1st revision; ● = 2nd revision; ● = 3rd revision; ● = use up existing stock; ⊗ = not interchangeable; ⊗ ① ● = for example: revision 2 is not interchangeable w/revision 1

Left Hand Drive Fertilizer (S/N DD 1152+)



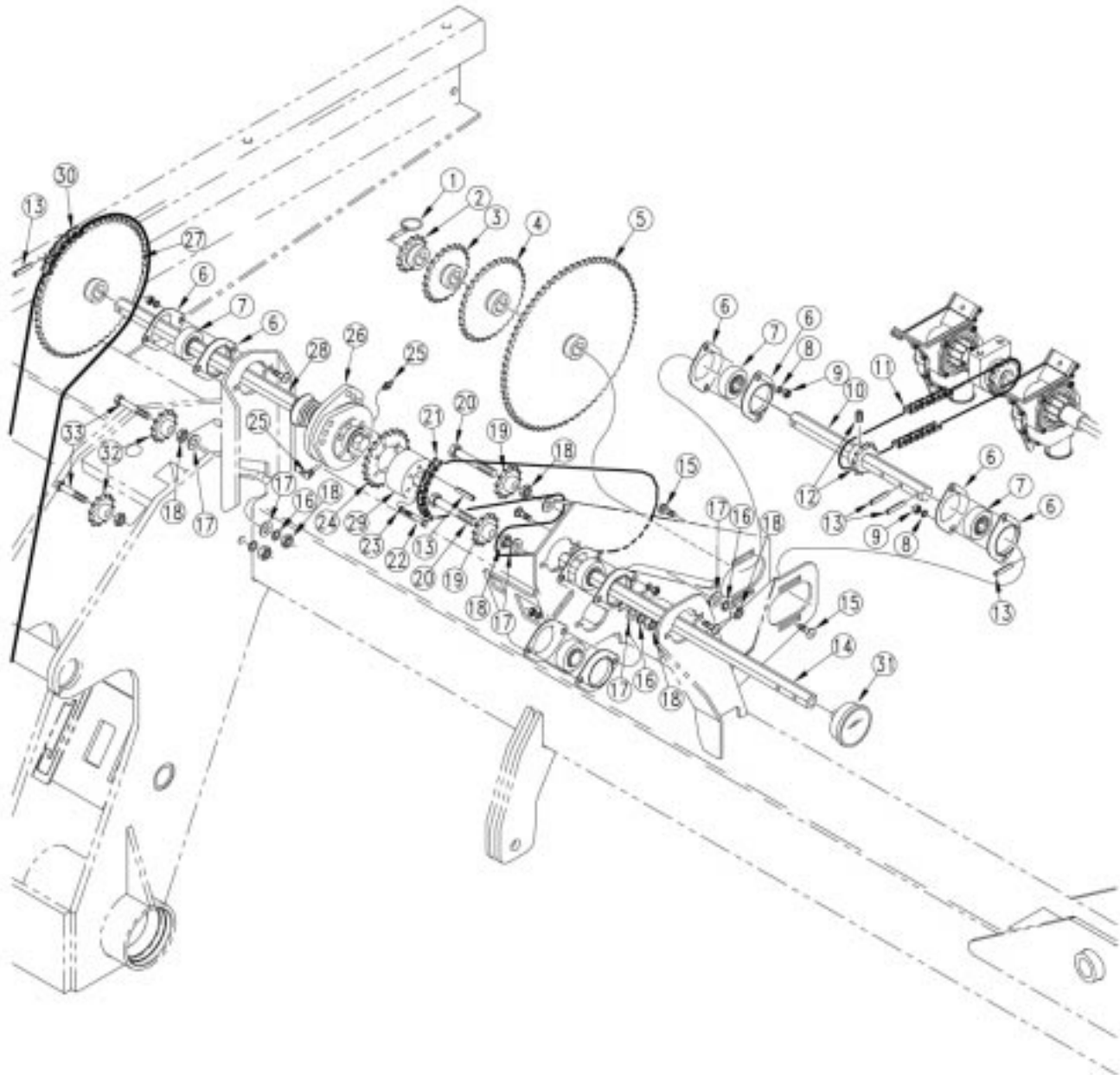
21628

Left Hand Drive Fertilizer (S/N DD 1152+)

Ref.	Part No.	Part Description	Comments
1.	805-240C	PIN LYNCH 3/16 X 1 9/16 LONG	
2.	808-259C	SPKT 40B14 X 7/8 HEX BORE	
3.	808-256C	SPKT 40B23 X 7/8 HEX BORE	
4.	808-257C	SPKT 40B34 X 7/8 HEX BORE	
5.	808-258C	SPKT 40B72 X 7/8 HEX BORE	
6.	822-032C	FLANGETTE 52 MST	
7.	822-119C	BRG.7/8HEX BR 52MM SPHRICAL OD	
8.	804-009C	WASHER LOCK SPRING 5/16 PLT	
9.	803-008C	NUT HEX 5/16-18 PLT	
10.	195-169D	SEED JACK SHAFT 7/8 HEX WING	
11.	136-111D	CHAIN RL #40 68 PITCHES	
12.	805-180C	PIN ROLL 1/4 X 1 1/2 LG PLT	
13.	136-175D	CHAIN RL #50 162 PITCHES	
14.	802-282C	RHSNB 5/16-18X1 GR5	
15.	195-264H	SPKT 50A57 WITH 7/8 HEX HUB	
16.	195-189D	POWER SHAFT 7/8 HEX LH	
17.	804-015C	WASHER LOCK SPRING 1/2 PLT	
18.	804-113C	WASHER FLAT 1/2 USS HARD PLT	
19.	803-036C	NUT HEX JAM 1/2-13 PLT	
20.	817-025C	NO. 40 12T IDLER SPKT.	
21.	136-122D	CHAIN RL #40 129 PITCHES	
22.	802-041C	HHCS 1/2-13X3 1/2 GR5	
23.	808-143C	SPKT 40B12 7/8 HEX BORE W/SS	
24.	195-187K	3S-3000F LH WING CLUTCH ASSY	Refer to page 8-21
25.	136-064D	CHAIN RL #40 51 PITCHES	
26.	195-241D	AUXILIRY POWER HEX 7/	
27.	136-151D	CHAIN RL #40 59 PITCHES	
28.	195-184S	FERTILIZER DRIVE SUBASSY LH	Refer to page 8-25
29.	136-044D	CHAIN RL #40 109 PITCHES	
30.	806-060C	U-BOLT 1/2-13 X 6 1/32 X 7 1/4	
31.	804-015C	WASHER LOCK SPRING 1/2 PLT	
32.	803-020C	NUT HEX 1/2-13 PLT	
33.	817-423C	NO. 50 12T IDLER SPKT	
34.	802-039C	HHCS 1/2-13X3 GR5	
35.	802-413C	HHCS 1/2-13X4 1/2 GR5	
36.	803-169C	NUT HEX FLG. LOCK 1/2-13 PLT.	

Legend: ● = 1st revision; ● = 2nd revision; ● = 3rd revision; ● = use up existing stock; ⊗ = not interchangeable; ⊗ ① ● = for example: revision 2 is not interchangeable w/revision 1

Right Hand Drive (S/N DD 1151-)



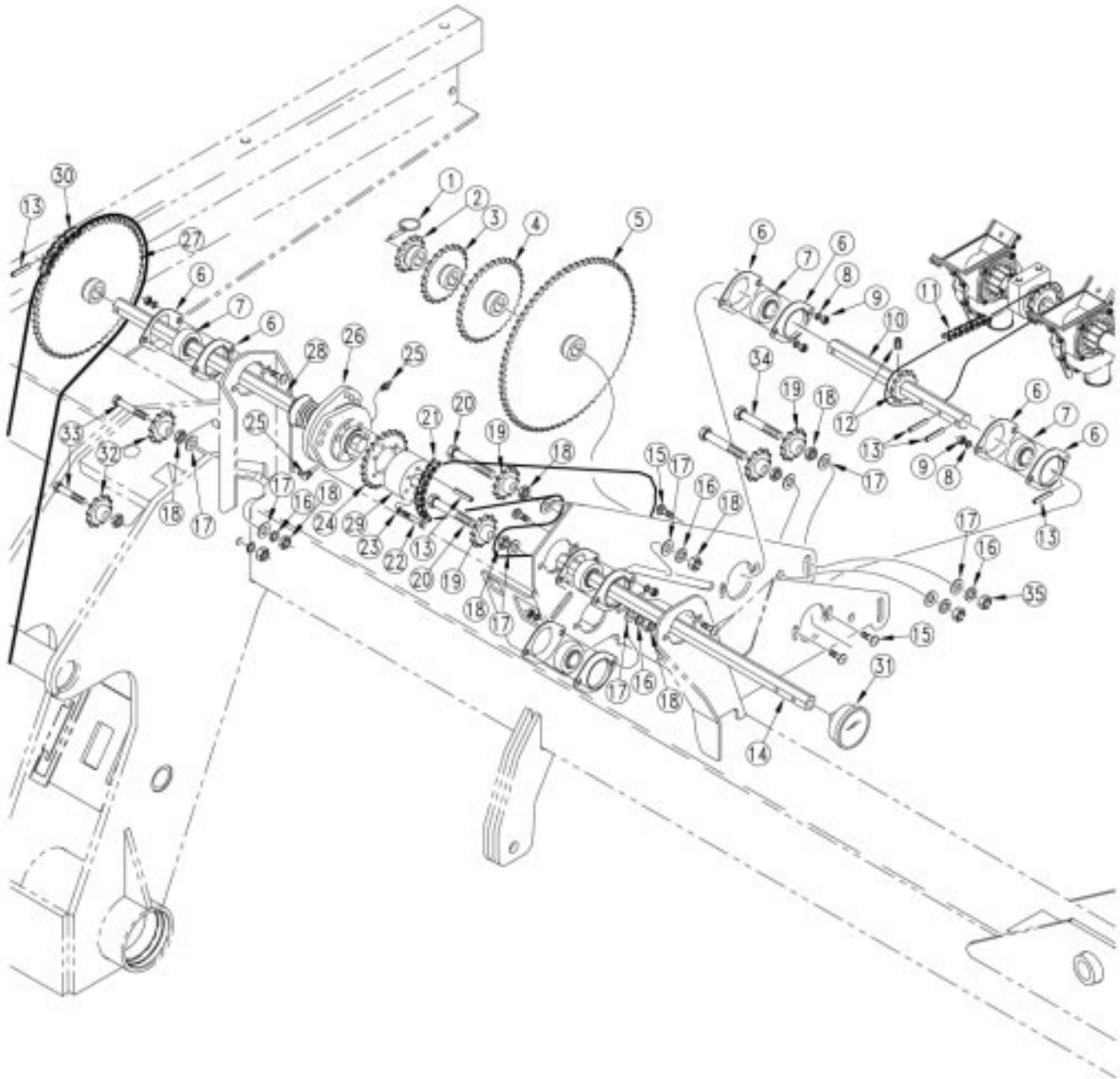
17252

Right Hand Drive (S/N DD 1151-)

Ref.	Part No.	Part Description	Comments
1.	805-240C	PIN LYNCH 3/16 X 1 9/16 LONG	
2.	808-259C	SPKT 40B14 X 7/8 HEX BORE	
3.	808-256C	SPKT 40B23 X 7/8 HEX BORE	
4.	808-257C	SPKT 40B34 X 7/8 HEX BORE	
5.	808-258C	SPKT 40B72 X 7/8 HEX BORE	
6.	822-032C	FLANGETTE 52 MST	
7.	822-119C	BRG.7/8HEX BR 52MM SPHRICAL OD	
8.	804-009C	WASHER LOCK SPRING 5/16 PLT	
9.	803-008C	NUT HEX 5/16-18 PLT	
10.	195-169D	SEED JACK SHAFT 7/8 HEX WING	
11.	136-111D	CHAIN RL #40 68 PITCHES	
12.	808-143C	SPKT 40B12 7/8 HEX BORE W/SS	
13.	805-180C	PIN ROLL 1/4 X 1 1/2 LG PLT	
14.	195-239D	ACRE METER SHAFT	
15.	802-282C	RHSNB 5/16-18X1 GR5	
16.	804-015C	WASHER LOCK SPRING 1/2 PLT	
17.	804-113C	WASHER FLAT 1/2 USS HARD PLT	
18.	803-036C	NUT HEX JAM 1/2-13 PLT	
19.	817-423C	NO. 50 12T IDLER SPKT	
20.	802-041C	HHCS 1/2-13X3 1/2 GR5	
21.	136-122D	CHAIN RL #40 129 PITCHES	
22.	802-551C	HHCS 1/4-20X2 1/4 GR5	
23.	804-006C	WASHER LOCK SPRING 1/4 PLT	
24.	808-240C	SPKT 40A23X1.813-1.818 BR/6HOL	
25.	800-058C	GREASE ZERK 1/4-28 X 45-DEG	
26.	176-042S	JAW CLUTCH CW EXT 7/8 HEX	Refer to page 8-19
27.	195-264H	SPKT 50A57 WITH 7/8 HEX HUB	Serial #DD1083+.
	195-139H	SPKT 40B57T WITH 7/8 HEX HUB	Serial #DD1082-.
28.	195-240D	POWER SHAFT RH 7/8 HEX	
29.	195-170D	CLUTCH ADAPTOR 7/8 HEX BORE	
30.	136-175D	CHAIN RL #50 162 PITCHES	Serial #DD1083+.
	136-128D	CHAIN RL #40 190 PITCHES	Serial #DD1082-.
31.	890-634C	ACRE METER 2600 9.5L X 15	
32.	817-423C	NO. 50 12T IDLER SPKT	Serial #DD1083+.
	817-025C	NO. 40 12T IDLER SPKT	Serial #DD1082-.
33.	802-039C	HHCS 1/2-13X3 GR5	

Legend: ● = 1st revision; ● = 2nd revision; ● = 3rd revision; ● = use up existing stock; ⊗ = not interchangeable; ⊗ ① ● = for example: revision 2 is not interchangeable w/revision 1

Right Hand Drive (S/N DD 1152+)



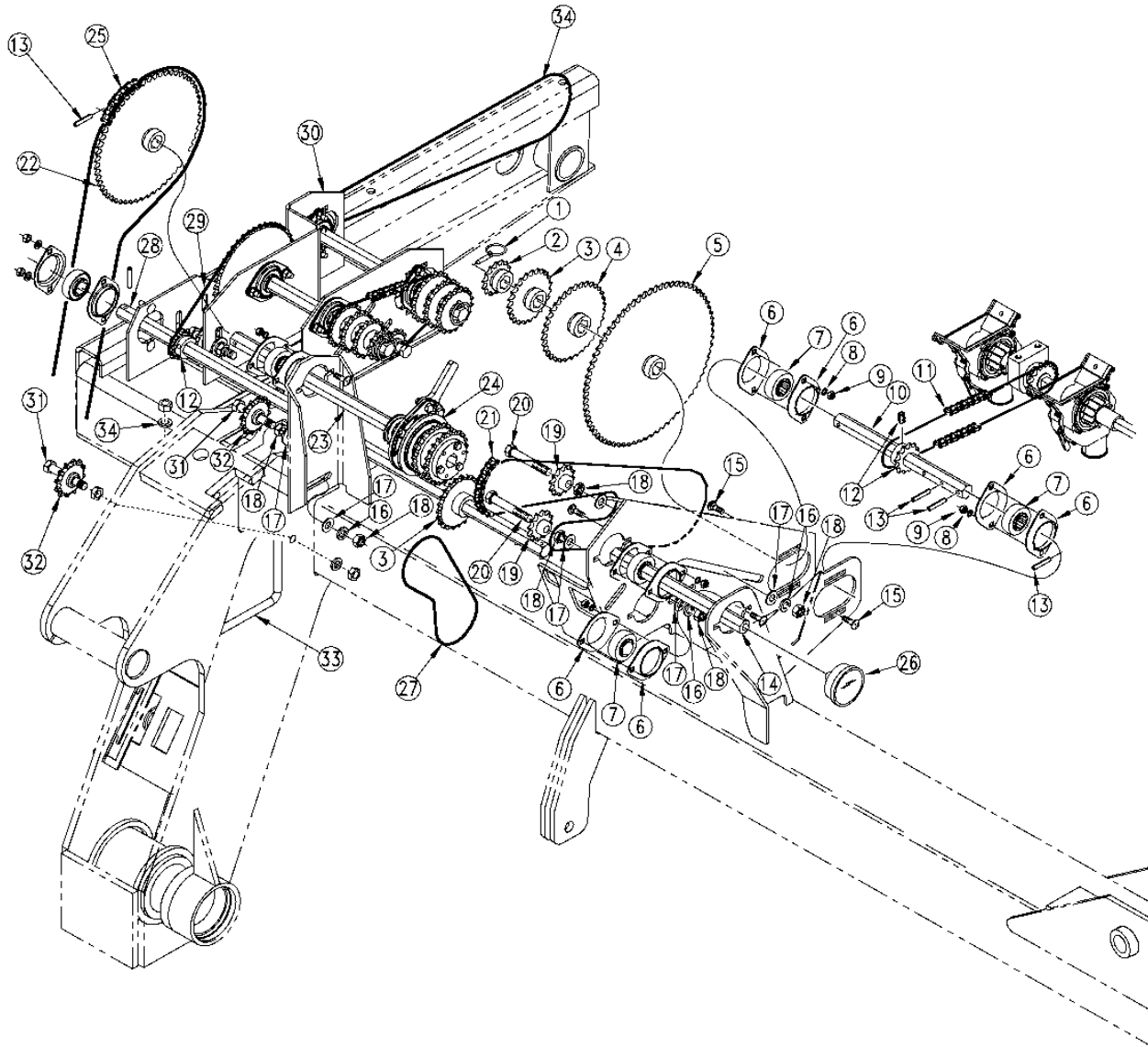
21629

Right Hand Drive (S/N DD 1152+)

Ref.	Part No.	Part Description	Comments
1.	805-240C	PIN LYNCH 3/16 X 1 9/16 LONG	
2.	808-259C	SPKT 40B14 X 7/8 HEX BORE	
3.	808-256C	SPKT 40B23 X 7/8 HEX BORE	
4.	808-257C	SPKT 40B34 X 7/8 HEX BORE	
5.	808-258C	SPKT 40B72 X 7/8 HEX BORE	
6.	822-032C	FLANGETTE 52 MST	
7.	822-119C	BRG.7/8HEX BR 52MM SPHRICAL OD	
8.	804-009C	WASHER LOCK SPRING 5/16 PLT	
9.	803-008C	NUT HEX 5/16-18 PLT	
10.	195-169D	SEED JACK SHAFT 7/8 HEX WING	
11.	136-111D	CHAIN RL #40 68 PITCHES	
12.	808-143C	SPKT 40B12 7/8 HEX BORE W/SS	
13.	805-180C	PIN ROLL 1/4 X 1 1/2 LG PLT	
14.	195-239D	ACRE METER SHAFT	
15.	802-282C	RHSNB 5/16-18X1 GR5	
16.	804-015C	WASHER LOCK SPRING 1/2 PLT	
17.	804-113C	WASHER FLAT 1/2 USS HARD PLT	
18.	803-036C	NUT HEX JAM 1/2-13 PLT	
19.	817-423C	NO. 50 12T IDLER SPKT	
20.	802-041C	HHCS 1/2-13X3 1/2 GR5	
21.	136-122D	CHAIN RL #40 129 PITCHES	
22.	802-551C	HHCS 1/4-20X2 1/4 GR5	
23.	804-006C	WASHER LOCK SPRING 1/4 PLT	
24.	808-240C	SPKT 40A23X1.813-1.818 BR/6HOL	
25.	800-058C	GREASE ZERK 1/4-28 X 45-DEG	
26.	176-042S	JAW CLUTCH CW EXT 7/8 HEX	Refer to page 8-19
27.	195-264H	SPKT 50A57 WITH 7/8 HEX HUB	
28.	195-240D	POWER SHAFT RH 7/8 HEX	
29.	195-170D	CLUTCH ADAPTOR 7/8 HEX BORE	
30.	136-175D	CHAIN RL #50 162 PITCHES	
31.	890-634C	ACRE METER 2600 9.5L X 15	
32.	817-423C	NO. 50 12T IDLER SPKT	
33.	802-039C	HHCS 1/2-13X3 GR5	
34.	802-413C	HHCS 1/2-13X4 1/2 GR5	
35.	803-169C	NUT HEX FLG. LOCK 1/2-13 PLT.	

Legend: ● = 1st revision; ● = 2nd revision; ● = 3rd revision; ● = use up existing stock; ⊗ = not interchangeable; ⊗ ① ● = for example: revision 2 is not interchangeable w/revision 1

Right Hand Drive Fertilizer (S/N DD 1151-)

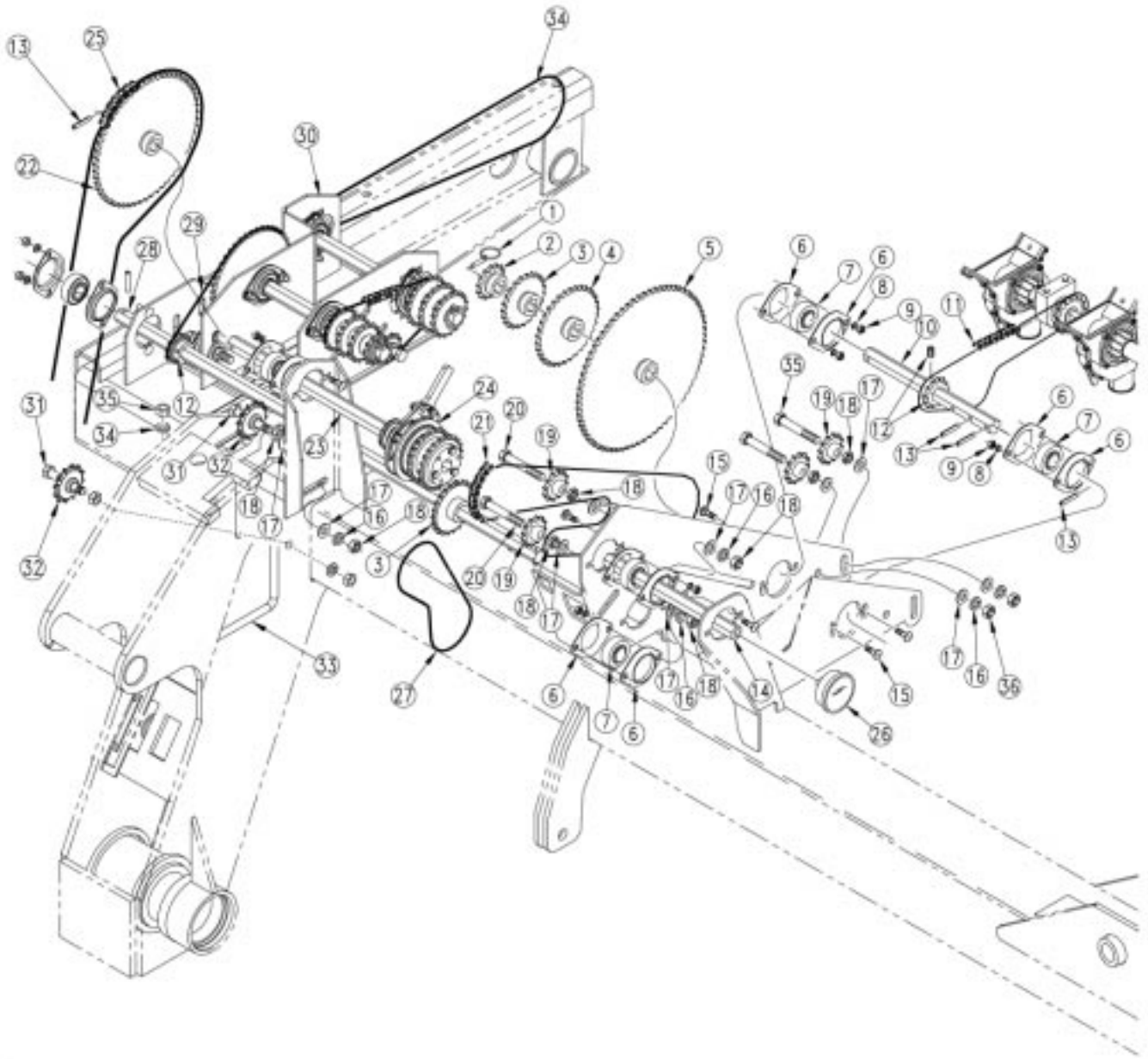


Right Hand Drive Fertilizer (S/N DD 1151-)

Ref.	Part No.	Part Description	Comments
1.	805-240C	PIN LYNCH 3/16 X 1 9/16 LONG	
2.	808-259C	SPKT 40B14 X 7/8 HEX BORE	
3.	808-256C	SPKT 40B23 X 7/8 HEX BORE	
4.	808-257C	SPKT 40B34 X 7/8 HEX BORE	
5.	808-258C	SPKT 40B72 X 7/8 HEX BORE	
6.	822-032C	FLANGETTE 52 MST	
7.	822-119C	BRG.7/8HEX BR 52MM SPHRICAL OD	
8.	804-009C	WASHER LOCK SPRING 5/16 PLT	
9.	803-008C	NUT HEX 5/16-18 PLT	
10.	195-169D	SEED JACK SHAFT 7/8 HEX WING	
11.	136-111D	CHAIN RL #40 68 PITCHES	
12.	808-143C	SPKT 40B12 7/8 HEX BORE W/SS	
13.	805-180C	PIN ROLL 1/4 X 1 1/2 LG PLT	
14.	195-239D	ACRE METER SHAFT	
15.	802-282C	RHSNB 5/16-18X1 GR5	
16.	804-015C	WASHER LOCK SPRING 1/2 PLT	
17.	804-113C	WASHER FLAT 1/2 USS HARD PLT	
18.	803-036C	NUT HEX JAM 1/2-13 PLT	
19.	817-025C	NO. 40 12T IDLER SPKT.	
20.	802-041C	HHCS 1/2-13X3 1/2 GR5	
21.	136-122D	CHAIN RL #40 129 PITCHES	
22.	195-264H	SPKT 50A57 WITH 7/8 HEX HUB	
23.	195-240D	POWER SHAFT RH 7/8 HEX	
24.	195-186K	3S-3000F RH WING CLUTCH ASSY	Refer to page 8-23
25.	136-175D	CHAIN RL #50 162 PITCHES	
26.	890-634C	ACRE METER 2600 9.5L X 15	
27.	136-064D	CHAIN RL #40 51 PITCHES	
28.	195-241D	AUXILIRY POWER HEX 7/8	
29.	136-151D	CHAIN RL #40 59 PITCHES	
30.	195-249S	FERTILIZER DRIVE SUBASSY RH	Refer to page 8-25
31.	802-039C	HHCS 1/2-13X3 GR5	
32.	817-423C	NO. 50 12T IDLER SPKT	
33.	806-060C	U-BOLT 1/2-13 X 6 1/32 X 7 1/4	
34.	136-044D	CHAIN RL #40 109 PITCHES	

Legend: ● = 1st revision; ● = 2nd revision; ● = 3rd revision; ● = use up existing stock; ⊗ = not interchangeable; ⊗ ① ● = for example: revision 2 is not interchangeable w/revision 1

Right Hand Drive Fertilizer (S/N DD 1152+)



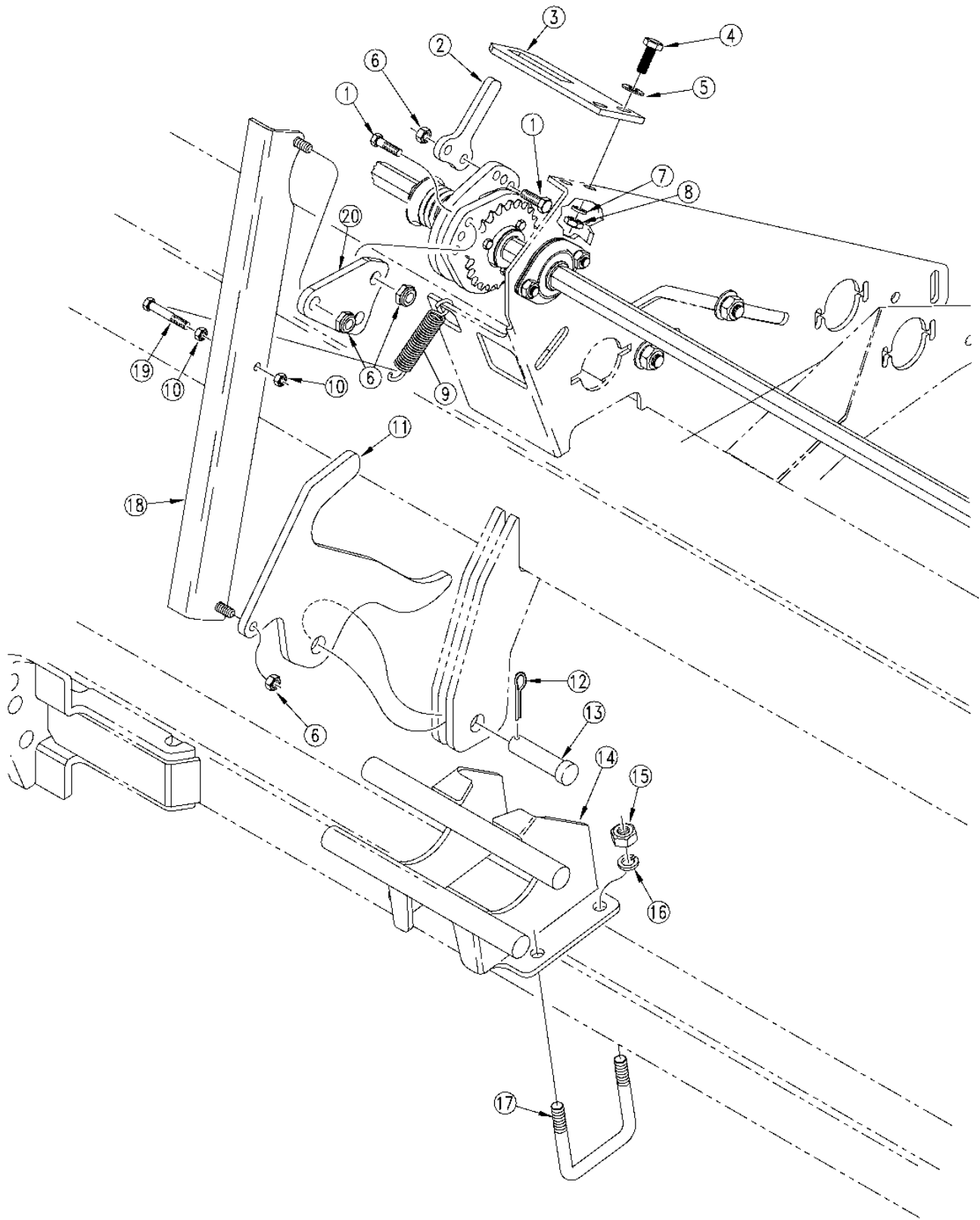
21630

Right Hand Drive Fertilizer (S/N DD 1152+)

Ref.	Part No.	Part Description	Comments
1.	805-240C	PIN LYNCH 3/16 X 1 9/16 LONG	
2.	808-259C	SPKT 40B14 X 7/8 HEX BORE	
3.	808-256C	SPKT 40B23 X 7/8 HEX BORE	
4.	808-257C	SPKT 40B34 X 7/8 HEX BORE	
5.	808-258C	SPKT 40B72 X 7/8 HEX BORE	
6.	822-032C	FLANGETTE 52 MST	
7.	822-119C	BRG.7/8HEX BR 52MM SPHRICAL OD	
8.	804-009C	WASHER LOCK SPRING 5/16 PLT	
9.	803-008C	NUT HEX 5/16-18 PLT	
10.	195-169D	SEED JACK SHAFT 7/8 HEX WING	
11.	136-111D	CHAIN RL #40 68 PITCHES	
12.	808-143C	SPKT 40B12 7/8 HEX BORE W/SS	
13.	805-180C	PIN ROLL 1/4 X 1 1/2 LG PLT	
14.	195-239D	ACRE METER SHAFT	
15.	802-282C	RHSNB 5/16-18X1 GR5	
16.	804-015C	WASHER LOCK SPRING 1/2 PLT	
17.	804-113C	WASHER FLAT 1/2 USS HARD PLT	
18.	803-036C	NUT HEX JAM 1/2-13 PLT	
19.	817-025C	NO. 40 12T IDLER SPKT.	
20.	802-041C	HHCS 1/2-13X3 1/2 GR5	
21.	136-122D	CHAIN RL #40 129 PITCHES	
22.	195-264H	SPKT 50A57 WITH 7/8 HEX HUB	
23.	195-240D	POWER SHAFT RH 7/8 HEX	
24.	195-186K	3S-3000F RH WING CLUTCH ASSY	Refer to page 8-23
25.	136-175D	CHAIN RL #50 162 PITCHES	
26.	890-634C	ACRE METER 2600 9.5L X 15	
27.	136-064D	CHAIN RL #40 51 PITCHES	
28.	195-241D	AUXILIRY POWER HEX 7/8	
29.	136-151D	CHAIN RL #40 59 PITCHES	
30.	195-249S	FERTILIZER DRIVE SUBASSY RH	Refer to page 8-25
31.	802-039C	HHCS 1/2-13X3 GR5	
32.	817-423C	NO. 50 12T IDLER SPKT	
33.	806-060C	U-BOLT 1/2-13 X 6 1/32 X 7 1/4	
34.	136-044D	CHAIN RL #40 109 PITCHES	
35.	802-413C	HHCS 1/2-13X4 1/2 GR5	
36.	803-169C	NUT HEX FLG. LOCK 1/2-13 PLT.	

Legend: ● = 1st revision; ● = 2nd revision; ● = 3rd revision; ● = use up existing stock; ⊗ = not interchangeable; ⊗ ① ● = for example: revision 2 is not interchangeable w/revision 1

Clutch Linkage



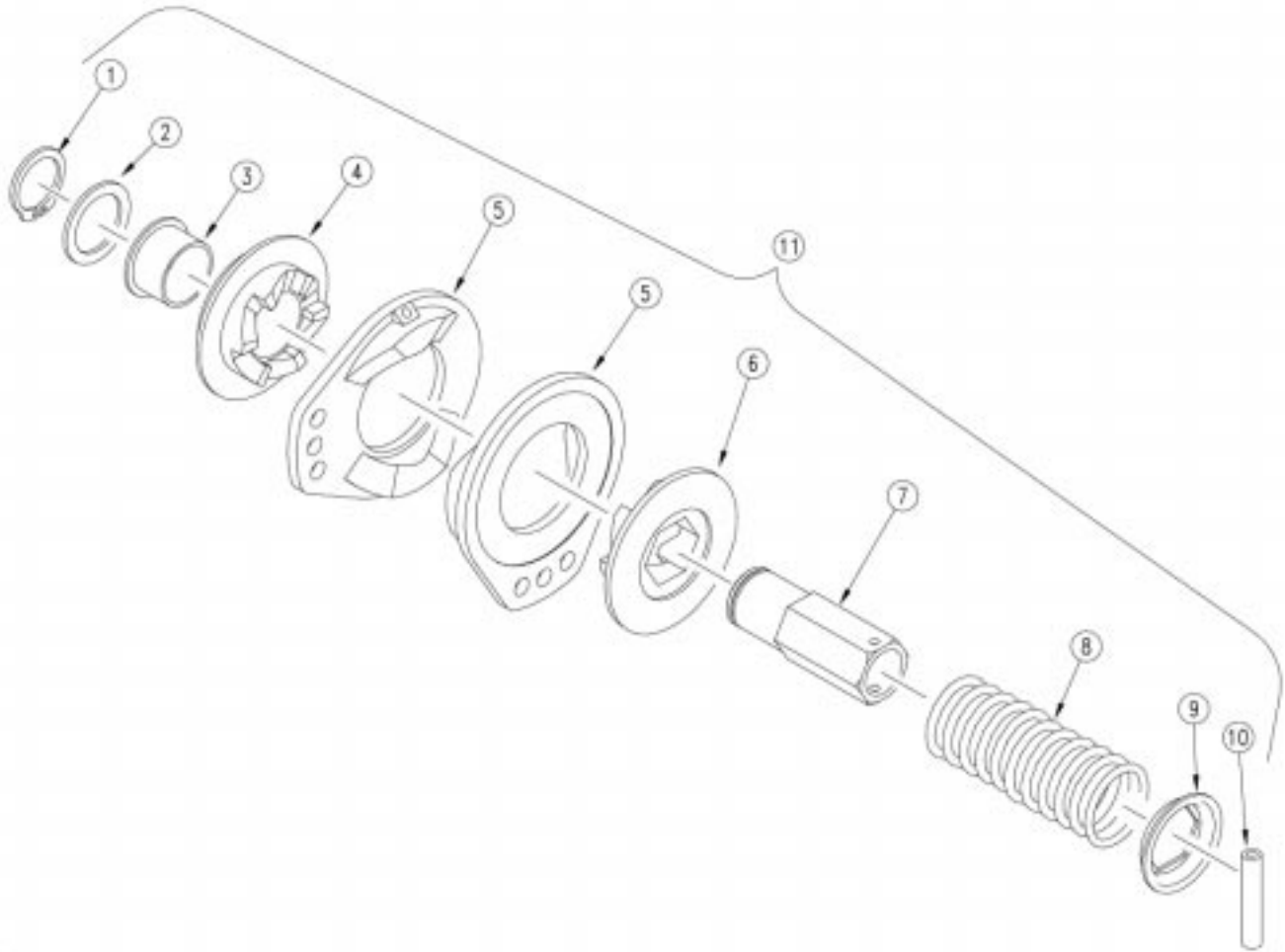
17253

Clutch Linkage

Ref.	Part No.	Part Description	Comments
1.	802-017C	HHCS 3/8-16X1 GR5	
2.	152-262D	CLUTCH ENGAGE ARM	
3.	152-263D	CLUTCH ENGAGE TAB	
4.	802-079C	HHCS 3/8-16X1 1/4 GR5	
5.	804-011C	WASHER FLAT 3/8 USS PLT	
6.	803-215C	NUT NYLOCK JAM THIN 3/8-16 PLT	
7.	804-013C	WASHER LOCK SPRING 3/8 PLT	
8.	803-014C	NUT HEX 3/8-16 PLT	
9.	807-072C	SPRING EXT 1 1/16 ODX.120WX5.5	
10.	803-008C	NUT HEX 5/16-18 PLT	
11.	195-144D	CLUTCH SHUTOFF CAM, 00 SERIES	
12.	805-109C	PIN COTTER 1/8 X 1 1/4 PLT	
13.	805-083C	PIN CLEVIS 3/4 X 1 1/2	
14.	195-131H	SUBFRM CLUTCH BRKT,SOLID STAND	
15.	803-020C	NUT HEX 1/2-13 PLT	
16.	804-015C	WASHER LOCK SPRING 1/2 PLT	
17.	806-109C	U-BOLT 1/2-13 X 3 1/32 X 3 7/8	
18.	195-130H	CLUTCH SHUTOFF LINK, 00 SERIES	
19.	802-012C	HHCS 5/16-18X1 1/2 GR5	
20.	195-254D	CLUTCH PULL TAB	

Legend: ● = 1st revision; ● = 2nd revision; ● = 3rd revision; ● = use up existing stock; ⊗ = not interchangeable; ⊗ ① ● = for example: revision 2 is not interchangeable w/revision 1

Jaw Clutch (176-042S)



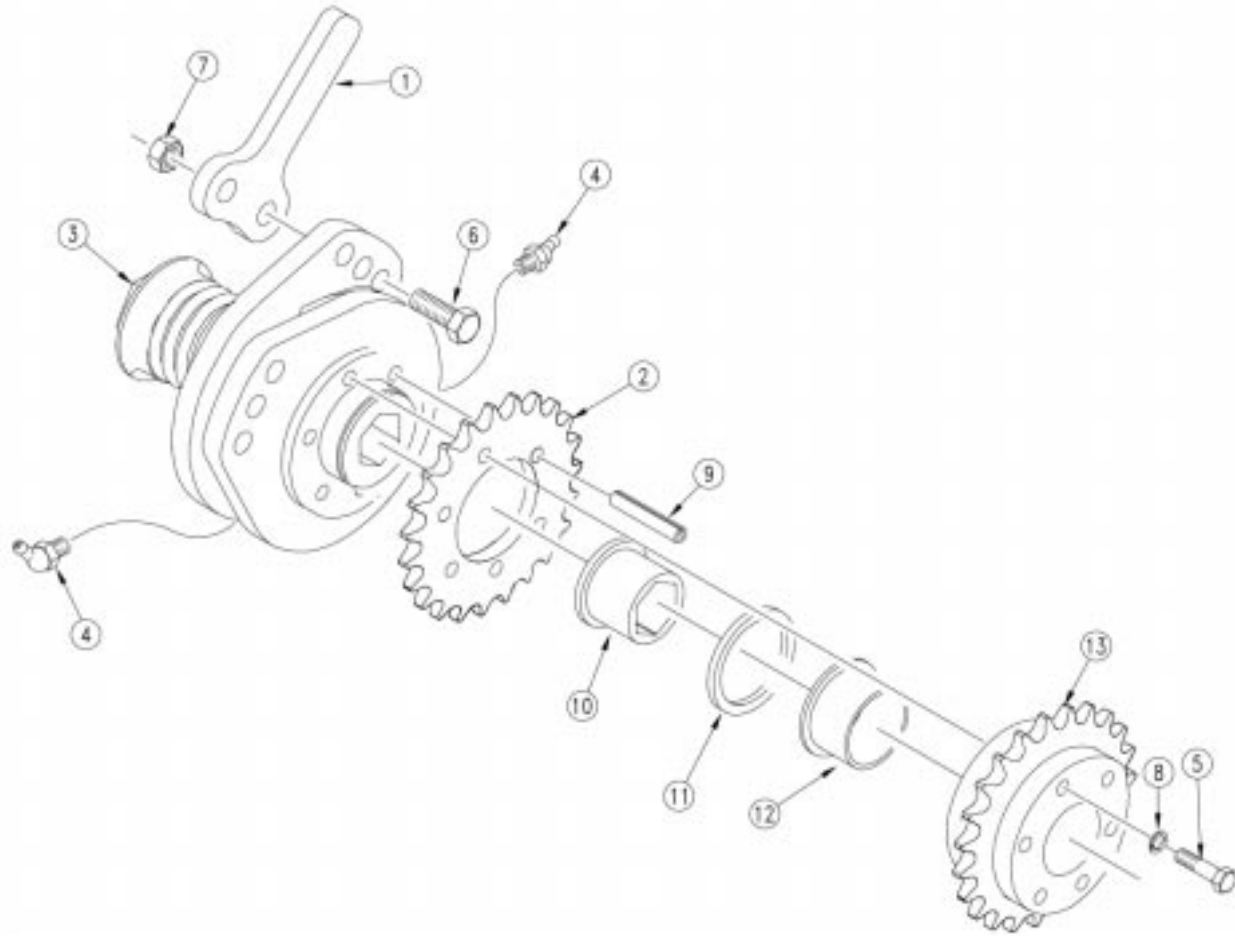
10249

Jaw Clutch (176-042S)

Ref.	Part No.	Part Description	Comments
1.	800-177C	SNAP RING EXT 1 1/4 HEAVY	
2.	176-065D	CLUTCH FRICTION WASHER	
3.	817-111C	BEARING 1 1/4 ID X 1 13/32 OD	
4.	176-078D	CLUTCH DRIVE PLATE LONG - CW	
5.	176-080D	CLUTCH CAM PLATE	
6.	176-076D	CLUTCH SLIDE PLATE - CW	
7.	176-084D	CLUTCH HUB 7/8 HEX BORE	
8.	807-097C	SPRING COMP 2 1/16 OD X 4 LG	
9.	176-066D	CLUTCH SPRING RETAINER	
10.	805-024C	PIN ROLL 3/16X 1 1/2 PLT	
11.	176-042S	JAW CLUTCH CW EXT 7/8 HEX	

Legend: ● = 1st revision; ● = 2nd revision; ● = 3rd revision; ● = use up existing stock; ⊗ = not interchangeable; ⊗ ① ● = for example: revision 2 is not interchangeable w/revision 1

Left Hand Clutch Fertilizer (195-187K)



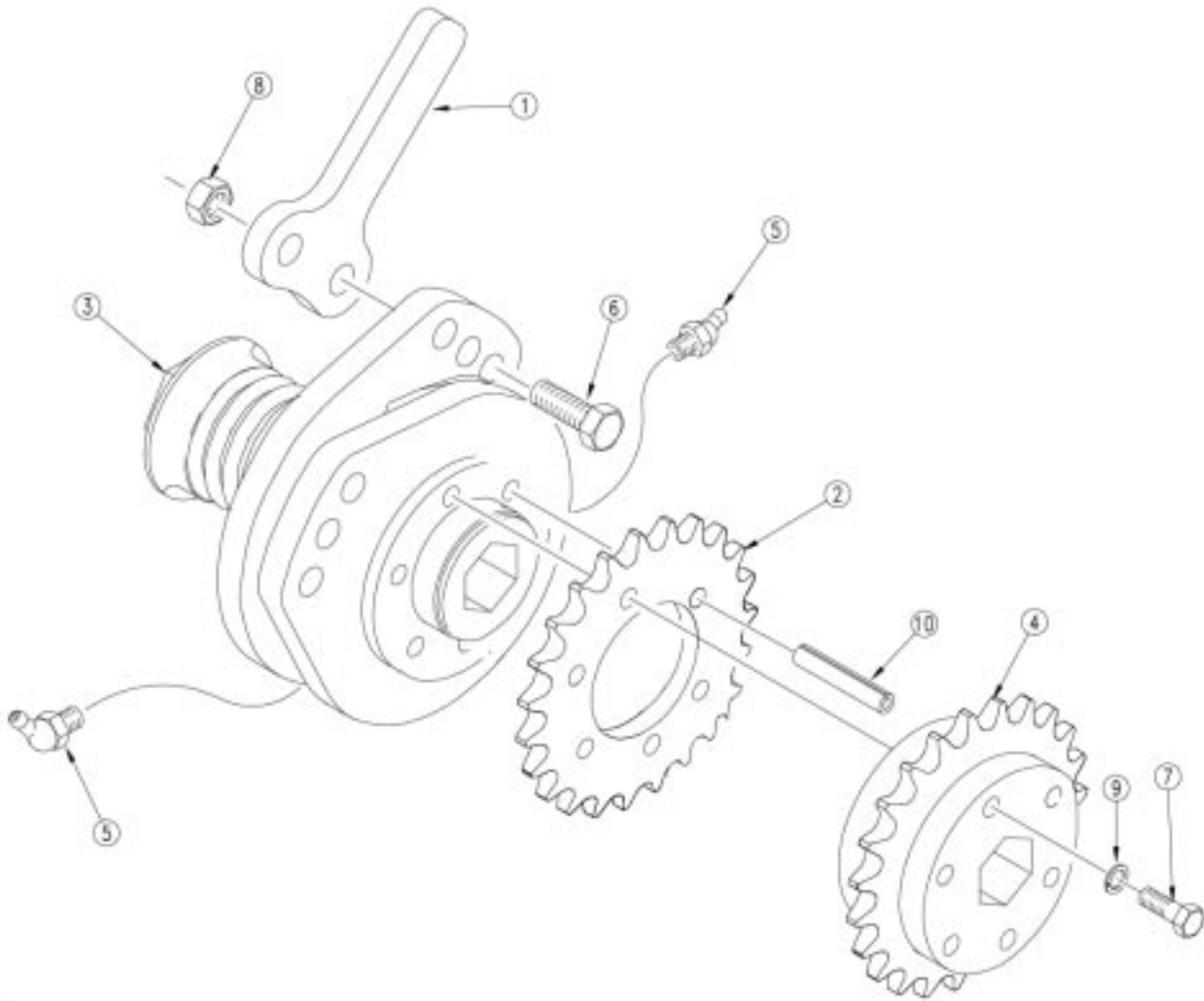
16465

Left Hand Clutch Fertilizer (195-187K)

Ref.	Part No.	Part Description	Comments
1.	152-262D	CLUTCH ENGAGE ARM	
2.	808-240C	SPKT 40A23X1.813-1.818 BR/6HOL	
3.	176-042S	JAW CLUTCH CW EXT 7/8 HEX	
4.	800-058C	GREASE ZERK 1/4-28 X 45-DEG	
5.	802-152C	HHCS 1/4-20X2 GR5	
6.	802-017C	HHCS 3/8-16X1 GR5	
7.	803-215C	NUT NYLOCK JAM THIN 3/8-16 PLT	
8.	804-006C	WASHER LOCK SPRING 1/4 PLT	
9.	805-180C	PIN ROLL 1/4 X 1 1/2 LG PLT	
10.	195-222D	BEARING 7/8 HEX ID X 1.254 OD	
11.	176-065D	CLUTCH FRICTION WASHER	
12.	817-111C	BEARING 1 1/4 ID X 1 13/32 OD	
13.	195-160H	SPKT CLUTCH 40B23T RND BORE	

Legend: ● = 1st revision; ● = 2nd revision; ● = 3rd revision; ● = use up existing stock; ⊗ = not interchangeable; ⊗ ① ● = for example: revision 2 is not interchangeable w/revision 1

Right Hand Clutch Fertilizer (195-186K)



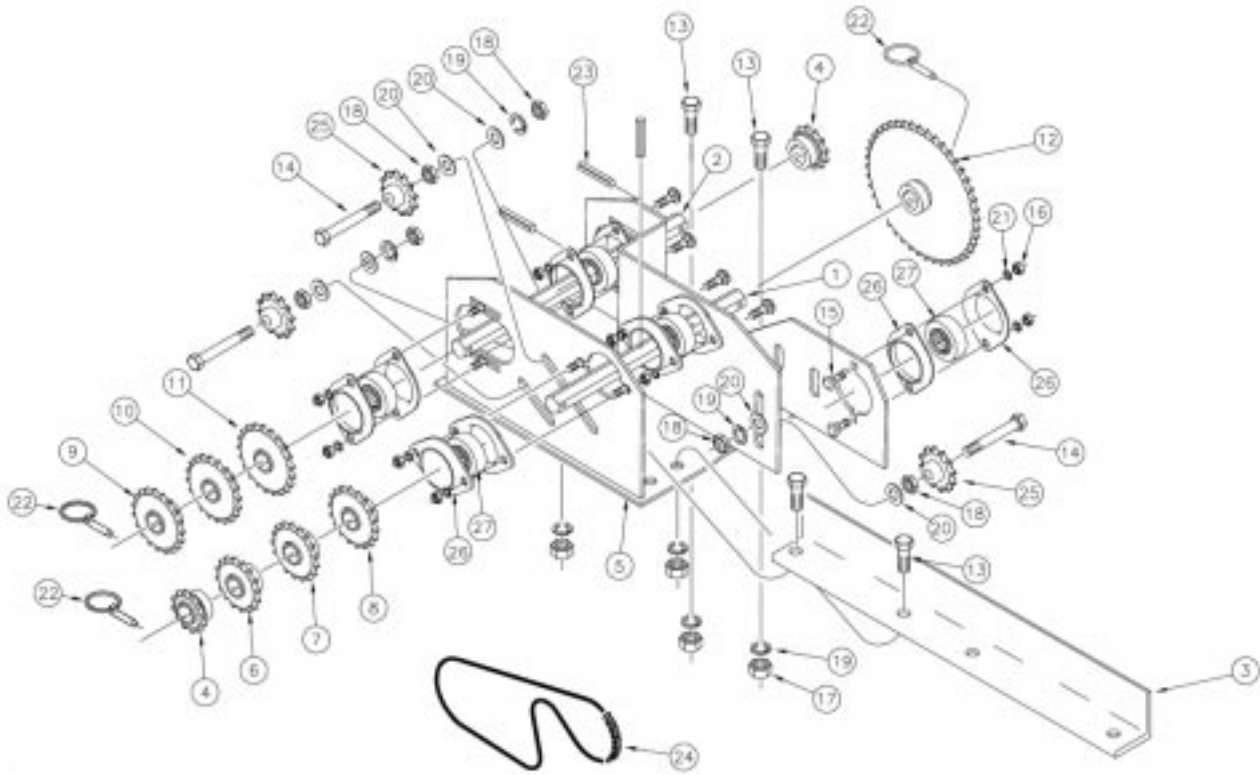
16452

Right Hand Clutch Fertilizer (195-186K)

Ref.	Part No.	Part Description	Comments
1.	152-262D	CLUTCH ENGAGE ARM	
2.	808-240C	SPKT 40A23X1.813-1.818 BR/6HOL	
3.	176-042S	JAW CLUTCH CW EXT 7/8 HEX	
4.	195-161H	SPKT CLUTCH 40B23T HEX BORE	
5.	800-058C	GREASE ZERK 1/4-28 X 45-DEG	
6.	802-017C	HHCS 3/8-16X1 GR5	
7.	802-551C	HHCS 1/4-20X2 1/4 GR5	
8.	803-215C	NUT NYLOCK JAM THIN 3/8-16 PLT	
9.	804-006C	WASHER LOCK SPRING 1/4 PLT	
10.	805-180C	PIN ROLL 1/4 X 1 1/2 LG PLT	

Legend: ● = 1st revision; ● = 2nd revision; ● = 3rd revision; ● = use up existing stock; ⊗ = not interchangeable; ⊗ ① ● = for example: revision 2 is not interchangeable w/revision 1

Fertilizer Drive Subassembly



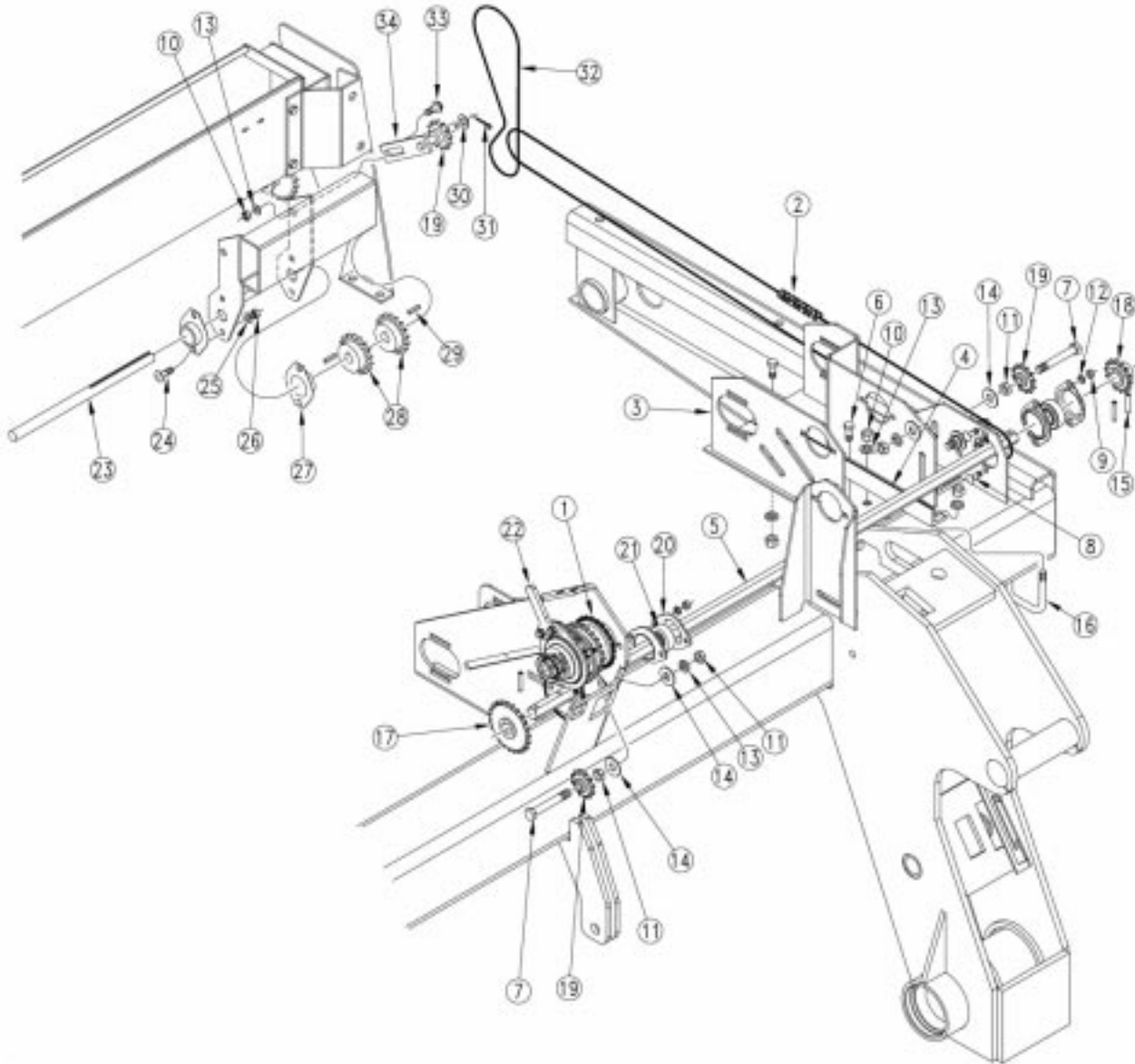
16476

Fertilizer Drive Subassembly

Ref.	Part No.	Part Description	Comments
1.	195-209D	HEX SHAFT 7/8,FERT JACKSHAFT 1	
2.	195-210D	HEX SHAFT 7/8,FERT JACKSHAFT 2	
3.	195-212D	ANGLE, FERTILIZER DRIVE MOUNT	
4.	808-260C	SPKT 40B12 X 7/8 HEX BORE	
5.	195-145H	FERTILIZER DRIVE WELDMNT LH	Shown.
	195-250H	FERTILIZER DRIVE WELDMNT RH	
6.	195-153H	SPKT 40B16T X 7/8 HEX BORE	
7.	195-154H	SPKT 40B17T X 7/8 HEX BORE	
8.	195-155H	SPKT 40B18T X 7/8 HEX BORE	
9.	195-156H	SPKT 40B19T X 7/8 HEX BORE	
10.	195-157H	SPKT 40B20T X 7/8 HEX BORE	
11.	195-158H	SPKT 40B21T X 7/8 HEX BORE	
12.	195-159H	SPKT 40B44T X 7/8 HEX BORE	
13.	802-034C	HHCS 1/2-13X1 1/4 GR5	
14.	802-041C	HHCS 1/2-13X3 1/2 GR5	
15.	802-282C	RHSNB 5/16-18X1 GR5	
16.	803-008C	NUT HEX 5/16-18 PLT	
17.	803-020C	NUT HEX 1/2-13 PLT	
18.	803-036C	NUT HEX JAM 1/2-13 PLT	
19.	804-015C	WASHER LOCK SPRING 1/2 PLT	
20.	804-113C	WASHER FLAT 1/2 USS HARD PLT	
21.	804-009C	WASHER LOCK SPRING 5/16 PLT	
22.	805-240C	PIN LYNCH 3/16 X 1 9/16 LONG	
23.	805-180C	PIN ROLL 1/4 X 1 1/2 LG PLT	
24.	136-027D	CHAIN RL #40 57 PITCHES	
25.	817-025C	NO. 40 12T IDLER SPKT.	
26.	822-032C	FLANGETTE 52 MST	
27.	822-119C	BRG.7/8HEX BR 52MM SPHRICAL OD	

Legend: ● = 1st revision; ● = 2nd revision; ● = 3rd revision; ● = use up existing stock; ⊗ = not interchangeable; ⊗ ⊕ ● = for example: revision 2 is not interchangeable w/revision 1

Small Seeds Drive



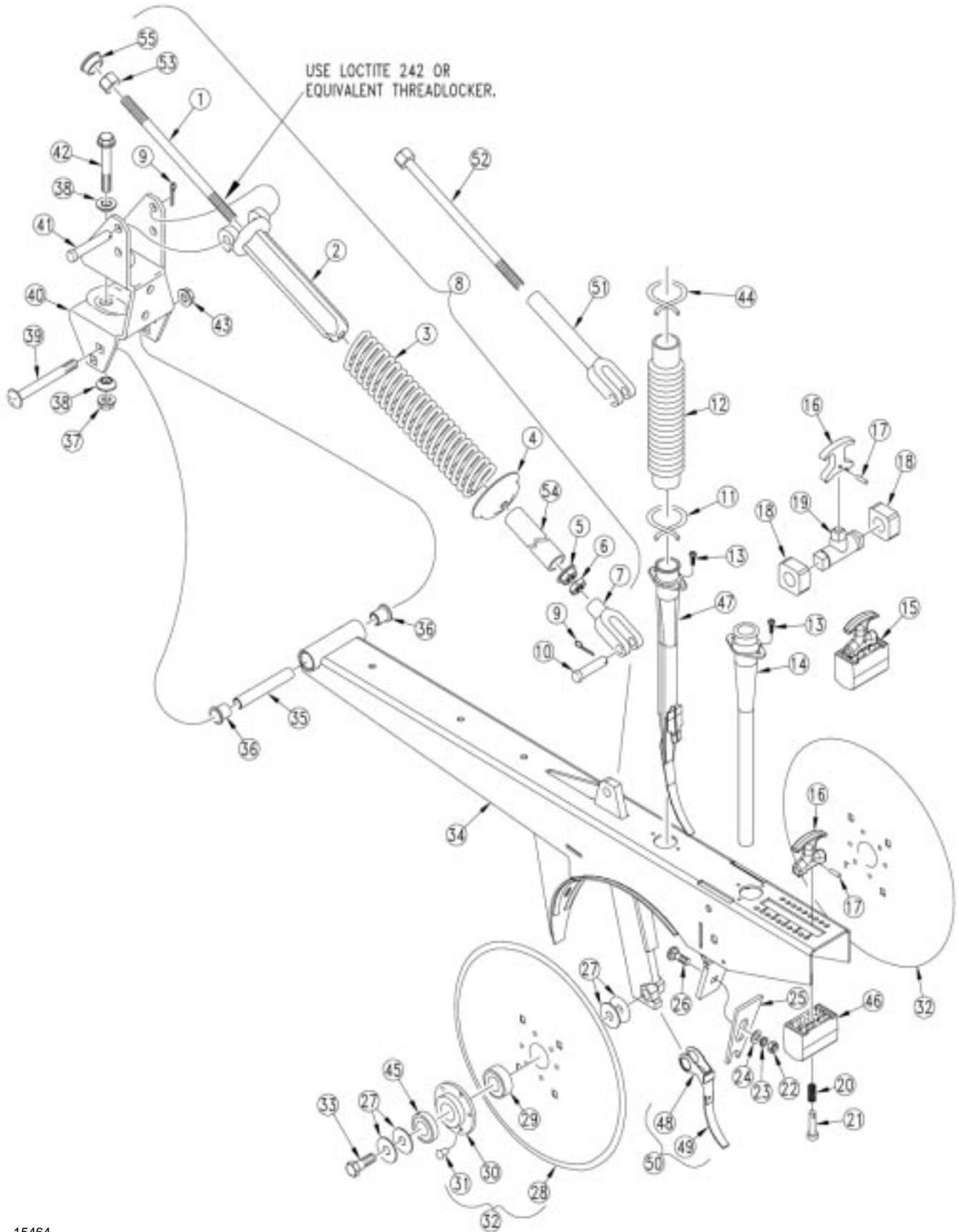
19324

Small Seeds Drive

Ref.	Part No.	Part Description	Comments
1.	136-064D	CHAIN RL #40 51 PITCHES	
2.	136-183D	CHAIN RL #40 203 PITCHES	
3.	195-145H	FERTILIZER DRIVE WELDMNT LH	Shown.
	195-250H	FERTILIZER DRIVE WELDMNT RH	
4.	195-212D	ANGLE, FERTILIZER DRIVE MOUNT	
5.	195-241D	AUXILIARY POWER HEX 7/8	
6.	802-034C	HHCS 1/2-13X1 1/4 GR5	
7.	802-041C	HHCS 1/2-13X3 1/2 GR5	
8.	802-282C	RHSNB 5/16-18X1 GR5	
9.	803-008C	NUT HEX 5/16-18 PLT	
10.	803-020C	NUT HEX 1/2-13 PLT	
11.	803-036C	NUT HEX JAM 1/2-13 PLT	
12.	804-009C	WASHER LOCK SPRING 5/16 PLT	
13.	804-015C	WASHER LOCK SPRING 1/2 PLT	
14.	804-113C	WASHER FLAT 1/2 USS HARD PLT	
15.	805-180C	PIN ROLL 1/4 X 1 1/2 LG PLT	
16.	806-060C	U-BOLT 1/2-13 X 6 1/32 X 7 1/4	
17.	808-256C	SPKT 40B23 X 7/8 HEX BORE	
18.	808-259C	SPKT 40B14 X 7/8 HEX BORE	
19.	817-025C	NO. 40 12T IDLER SPKT.	
20.	822-032C	FLANGETTE 52 MST	
21.	822-119C	BRG. 7/8HEX BR 52MM SPHRICAL OD	
22.	195-187K	3S-3000F LH WING CLUTCH ASSY	Shown.
	195-186K	3S-3000F RH WING CLUTCH ASSY	
23.	133-024D	RND SHAFT 3/4 X 11 W/KW	
24.	802-282C	RHSNB 5/16-18X1 GR5	
25.	804-009C	WASHER LOCK SPRING 5/16 PLT	
26.	803-008C	NUT HEX 5/16-18 PLT	
27.	822-126C	BEARING 3/4 BORE FLUSH MOUNT	
28.	808-170C	SPKT 40B17 X 3/4BORE W/KW&SS	
29.	168-127D	3/16 X 1 KEY	
30.	804-016C	WASHER FLAT 1/2 SAE PLT	
31.	805-067C	PIN COTTER 1/8 X 3/4	
32.	136-104D	CHAIN RL #40 62 PITCHES	
33.	802-214C	RHSNB 1/2-13X1 1/4 GR5	
34.	123-832H	SLOTTED IDLER ARM 1/2X 3 5/16	

Legend: ● = 1st revision; ● = 2nd revision; ● = 3rd revision; ● = use up existing stock; ⊗ = not interchangeable; ⊗ ① ● = for example: revision 2 is not interchangeable w/revision 1

00 Series Long Arm Opener



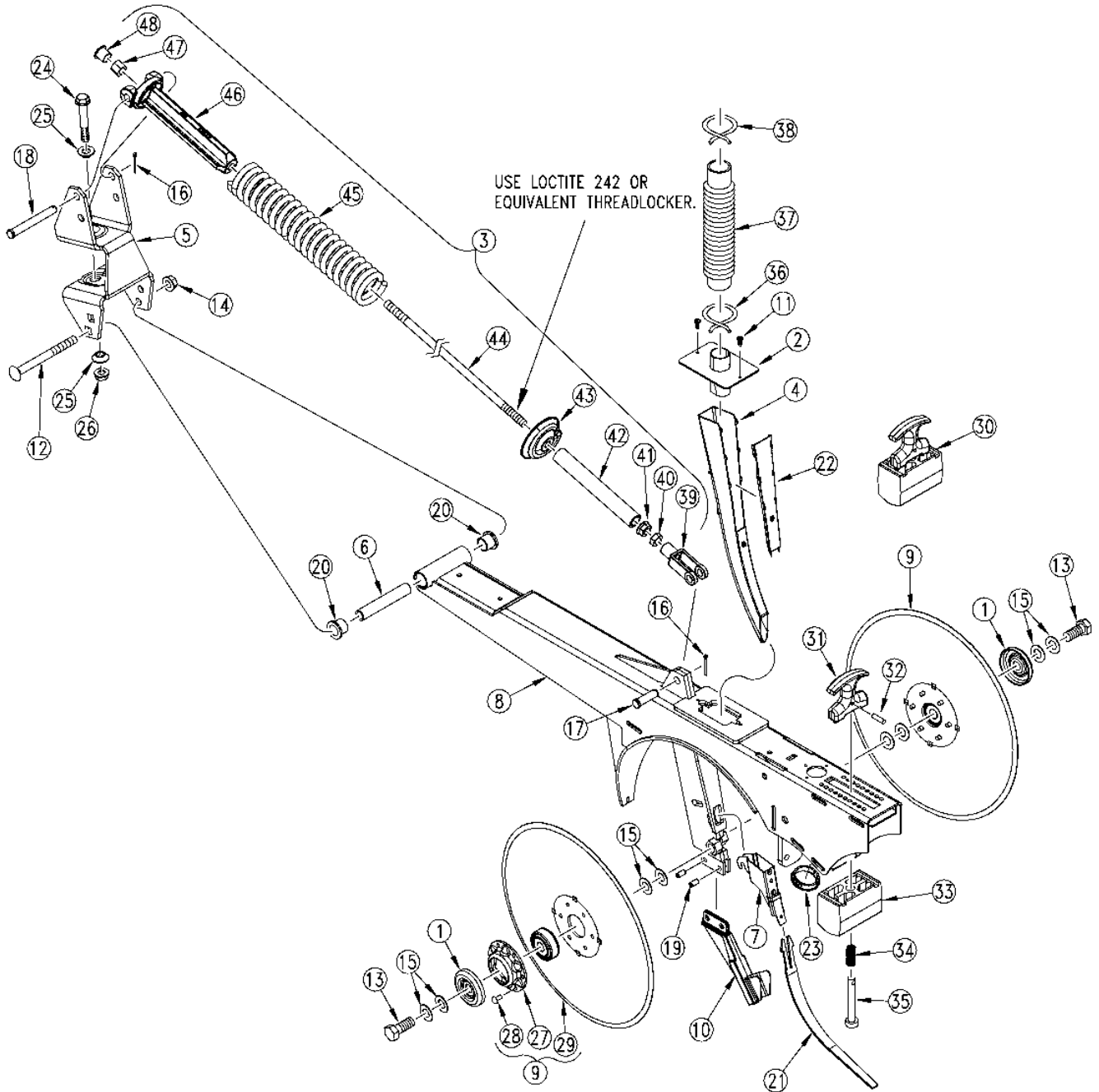
15464

00 Series Long Arm Opener

Ref.	Part No.	Part Description	Comments
1.	800-322C	STUD 1/2-13X17.6 SPTHD DBBLEND	
2.	121-167D	OPNR SPRING RD TRUNION	
3.	807-159C	SPRING COMP 2 1/2ODX3/8X12 7/8	
4.	121-154D	SPRING STOP STAMPING	
5.	803-193C	NUT HEX FLANGE 1/2-13 GR G PLT	
6.	803-036C	NUT HEX JAM 1/2-13 PLT	
7.	121-166D	ADJ. YOKE END	
8.	121-762S	OPENER SPRING ROD ASSY. LONG	Includes items 1 through 7
9.	805-109C	PIN COTTER 1/8 X 1 1/4 PLT	
10.	805-127C	PIN CLEVIS 1/2 X 1 3/4	
11.	800-268C	CLAMP HOSE 1 1/2 NO. 23	
12.	816-239C	SEED HOSE 56 RIBS X 11 LONG	
13.	801-002C	SCREW HEX SLT10-16X3/8P.THD CT	
14.	817-133C	PLASTIC OPENER SEED TUBE	Model year 1998-
15.	122-202S	PW ADJUSTMENT TRUNNION ASSY	Includes items 16, 17, 20, 21 & 46.
16.	817-328D	T-HANDLE ASSEMBLY	
17.	805-186C	PIN ROLL 5/32 X 5/8 PLT	
18.	817-132C	PRESS WHEEL ARM BUMPER	(S/N DD1019-) Use only with item 19.
19.	● ① 812-194C	REPLACED BY 817-347C	(S/N DD1019-). See item 46.
20.	807-106C	SPRING .540 O.D.X 1 1/4 X.054W	
21.	805-154C	PIN CLEVIS 3/8 X 2 1/8 USABLE	
22.	803-014C	NUT HEX 3/8-16 PLT	
23.	804-013C	WASHER LOCK SPRING 3/8 PLT	
24.	804-012C	WASHER FLAT 3/8 SAE PLT	
25.	107-113D	D.D. SLOTTED SCRAPER	
26.	802-015C	RHSNB 3/8-16X1 GR5	
27.	804-040C	WASHER MACH 1.00 X .625 X 18GA	
28.	820-155C	FLAT DISK STEEL	
29.	188-001V	BEARING AA205DD	
30.	890-466C	RIBB BRG FLNG .266 MT HOLE PLT	
31.	800-213C	RIVET,BUTTON HEAD 1/4 X 9/16	
32.	107-133S	D.D. W/ 205 BRG ASSY-PLT FLNG	Includes items 28 through 31
33.	802-228C	HHCS 5/8-11X1 1/2 GR5 NYL	
34.	121-702H	OPENER WELDMENT - LONG	For drills manufactured before 5/1/2000 also order part no. 122-202S, item 15.
35.	142-198D	STRAIGHT ARM OPENER PIVOT PIPE	
36.	817-084C	PARALLEL ARM PIVOT BUSHING	
37.	803-019C	NUT LOCK 1/2-13 PLT	
38.	804-154C	WASHER POWDER METAL CONE 1/2	
39.	802-121C	RHSNB 1/2-13X5 1/2 GR5	
40.	121-151D	OPENER MOUNTING BRACKET	
41.	805-234C	PIN CLEVIS 1/2 X 4 PLATED	
42.	802-045C	HHCS 1/2-13X5 GR5	
43.	803-169C	NUT HEX FLG. LOCK 1/2-13 PLT	
44.	800-009C	CLAMP HOSE 1 5/8 NO. 26	
45.	107-111D	DD BRG FLANGE DUST COVER	
46.	⊗ 817-347C	OPENER TRUNION	(S/N DD1020+)
47.	817-314C	OPENER SEED TUBE, PLASTIC	Model year 1999+.
48.	121-164D	HEX SEED FLAP MOUNTING CLIP	Model year 1999+.
49.	816-302C	SEED FLAP, RUBBER, SEED-LOK	Model year 1999+.
50.	122-242S	SEED FLAP & HEX CLIP, SEEDLOK	Model year 1999+.
51.	121-152D	LONG YOKE OBSO RPBV 221-100K	Order kit 221-100K
52.	802-550C	HHCS 1/2-13X10 SPTHD GR8	Order kit 221-100K
53.	803-310C	NUT HEX 1/2-20 X 5/8 HIGH	
54.	121-169D	SPACER TB ALUM 1ODX 1/2 X 7.28	
55.	816-306C	PLUG, SPRING ROD CASTING	

Legend: ● = 1st revision; ⊗ = 2nd revision; ⊕ = 3rd revision; ● = use up existing stock; ⊗ = not interchangeable; ⊕ ⊗ = for example: revision 2 is not interchangeable w/revision 1

00 HD Series Long Arm Opener



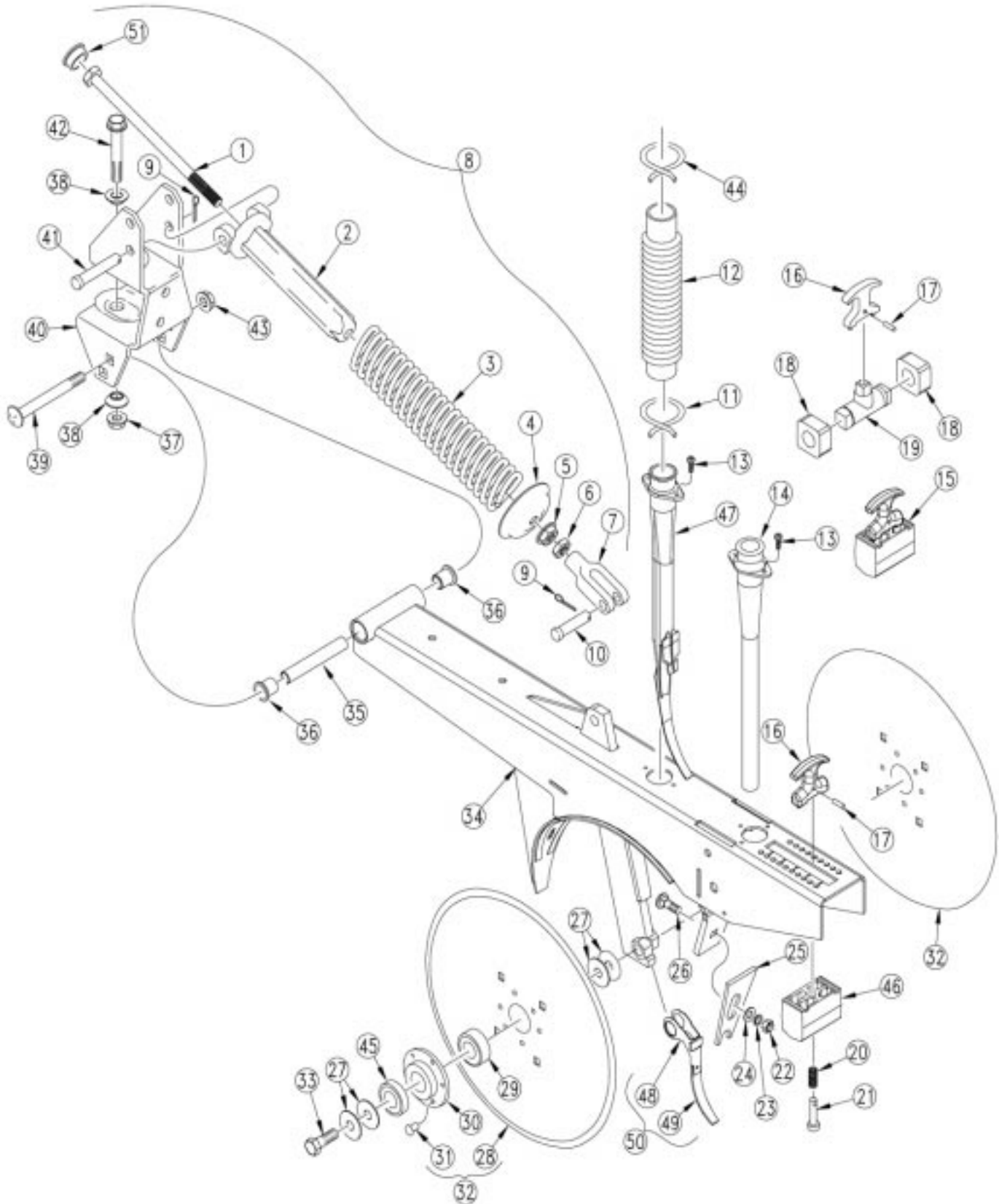
24426

00 HD Series Long Arm Opener

Ref.	Part No.	Part Description	Comments
1.	107-111D	DD BRG FLANGE DUST COVER	
2.	121-002H	UPPER SEED TUBE WELDMENT	
3.	121-005S	OPENER SPRING ROD ASSY. LONG.	
4.	121-045D	SEED TUBE 00 HD SMOOTH FLOW	
5.	121-151D	OPENER MOUNTING BRACKET	
6.	142-198D	STRAIGHT ARM OPENER PIVOT PIPE	
7.	198-331D	SEED TUBE 25S HOOK CLIP	
8.	221-131H	OPENER WELDMENT-HD 00 LONG	
9.	404-121S	4.0 MM 15 DISC W/ 5/8 ASSY	
10.	404-170H	25P SCRAPER SEPARATOR WLDMT	
11.	801-002C	SCREW HEX SLT10-16X1/2P.THD CT	
12.	802-121C	RHSNB 1/2-13X5 1/2 GR5	
13.	802-228C	HHCS 5/8-11X1 1/2 GR5 NYL	
14.	803-169C	NUT HEX FLG. LOCK 1/2-13 PLT.	
15.	804-040C	WASHER MACH 1.19 X .63 X 18GA	
16.	805-109C	PIN COTTER 1/8 X 1 1/4 PLT	
17.	805-127C	PIN CLEVIS 1/2 X 1 3/4	
18.	805-234C	PIN CLEVIS 1/2 X 4 PLATED	
19.	805-335C	PIN ROLL 5/16 X 5/8 PLT	
20.	817-084C	PARALLEL ARM PIVOT BUSHING	
21.	817-349C	SEED FLAP, UHMW, LONG	
	816-536C	SEED FLAP-RUBBER, SEED-LOK LNG	
22.	817-697C	SEED TUBE 00S SMOOTH CAP	
23.	817-688C	HOLE PLUG 1 3/4	
24.	802-045C	HHCS 1/2-13X5 GR5	
25.	804-154C	WASHER POWDER METAL CONE 1/2	
26.	803-019C	NUT LOCK 1/2-13 PLT	
27.	107-137V	FLANGE AND BEARING ASSY	
28.	800-213C	RIVET,BUTTON HEAD 1/4 X 1/2	
29.	820-287C	4.0 MM 15 DISK (21 DEG BEVEL)	
30.	122-001S	PW ADJUST TRUNION ASSY	
31.	817-328C	T-HANDLE ASSEMBLY	
32.	805-186C	PIN ROLL 5/32 X 5/8 PLT	
33.	817-347C	OPENER TRUNION	
34.	807-106C	SPRING .540 O.D.X 1 1/4 X.054W	
35.	805-385C	PIN CLEVIS 3/8 X 3 PLT	
36.	800-292C	HOSE CLAMP 1 13/32 NO. 22	
37.	816-239C	SEED HOSE 56 RIBS X 11 LONG	
38.	800-009C	CLAMP HOSE 1 5/8 NO. 26	
39.	121-044D	ADJ. YOKE END, 11/16" OPENING	
40.	803-036C	NUT HEX JAM 1/2-13 PLT	
41.	803-193C	NUT HEX FLANGE 1/2-13 GR G PLT	
42.	121-169D	SPACER TB ALUM 1ODX 1/2 X 7.28	
43.	121-154D	SPRING STOP STAMPING	
44.	800-322C	STUD 1/2-13X17.6 SPTHD DBBLEND	
45.	807-262C	SPRING COMP 2.56ODX.393X12.875	
46.	812-236C	OPNR SPRING RD TRUNION CASTING	
47.	803-310C	NUT HEX 1/2-20 X 5/8 HIGH	
48.	816-306C	PLUG, SPRING ROD CASTING	

Legend: ● = 1st revision; ● = 2nd revision; ● = 3rd revision; ● = use up existing stock; ⊗ = not interchangeable; ⊗ ⊕ ● = for example: revision 2 is not interchangeable w/revision 1

00 Series Short Arm Opener



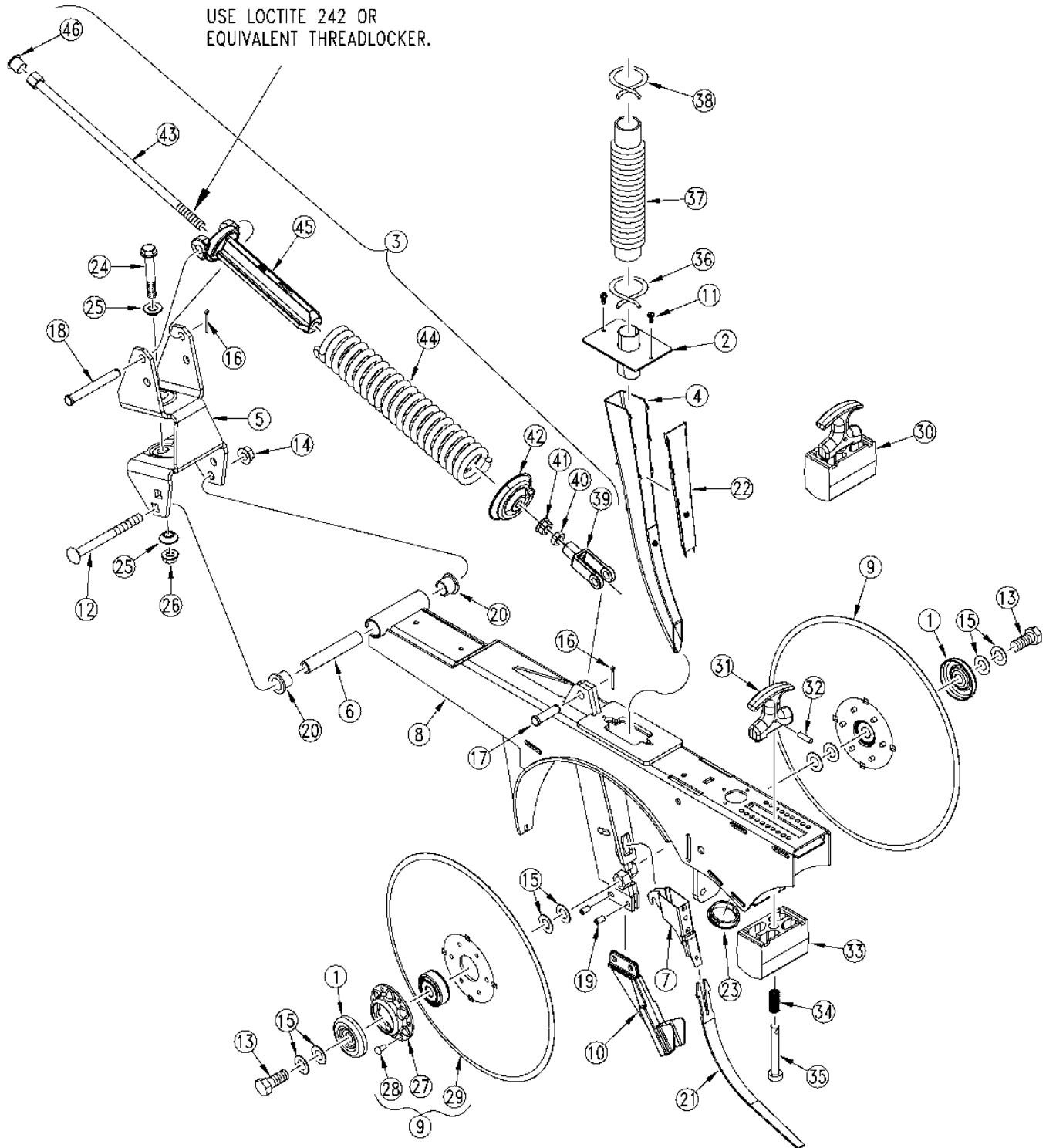
15465

00 Series Short Arm Opener

Ref.	Part No.	Part Description	Comments
1.	802-550C	HHCS 1/2-13X10 SPTHD GR8	
2.	812-236C	OPNR SPRING RD TRUNION CASTING	
3.	807-159C	SPRING COMP 2 1/2ODX3/8X12 7/8	
4.	121-154D	SPRING STOP STAMPING	
5.	803-193C	NUT HEX FLANGE 1/2-13 GR G PLT	
6.	803-036C	NUT HEX JAM 1/2-13 PLT	
7.	812-245C	ADJUSTABLE YOKE END	
8.	121-763S	OPENER SPRING ROD ASSY. SHRT.	Includes items 1 through 7
9.	805-109C	PIN COTTER 1/8 X 1 1/4 PLT	
10.	805-127C	PIN CLEVIS 1/2 X 1 3/4	
11.	800-268C	CLAMP HOSE 1 1/2 NO. 23	
12.	816-239C	SEED HOSE 56 RIBS X 11 LONG	
13.	801-002C	SCREW HEX SLT10-16X3/8P.THD CT	
14.	817-133C	PLASTIC OPENER SEED TUBE	Model year 1998-
15.	122-202S	PW ADJUSTMENT TRUNNION ASSY	Includes items 16, 17, 20, 21 and 46..
16.	817-328D	T-HANDLE ASSEMBLY	
17.	805-186C	PIN ROLL 5/32 X 5/8 PLT	
18.	817-132C	PRESS WHEEL ARM BUMPER	(S/N DD1019-) Use only with item 19.
19.	● ① 812-194C	REPLACED BY 817-347C	(S/N DD1019-)
20.	807-106C	SPRING .540 O.D.X 1 1/4 X.054W	
21.	805-154C	PIN CLEVIS 3/8 X 2 1/8 USABLE	
22.	803-014C	NUT HEX 3/8-16 PLT	
23.	804-013C	WASHER LOCK SPRING 3/8 PLT	
24.	804-012C	WASHER FLAT 3/8 SAE PLT	
25.	107-113D	D.D. SLOTTED SCRAPER	
26.	802-015C	RHSNB 3/8-16X1 GR5	
27.	804-040C	WASHER MACH 1.00 X .625 X 18GA	
28.	820-155C	FLAT DISK STEEL	
29.	188-001V	BEARING AA205DD	
30.	890-466C	RIBB BRG FLNG .266 MT HOLE PLT	
31.	800-213C	RIVET,BUTTON HEAD 1/4 X 9/16	
32.	107-133S	D.D. W/ 205 BRG ASSY-PLT FLNG	Includes items 28 through 31
33.	802-228C	HHCS 5/8-11X1 1/2 GR5 NYL	
34.	121-703H	OPENER WELDMENT - SHORT	
35.	142-198D	STRAIGHT ARM OPENER PIVOT PIPE	
36.	817-084C	PARALLEL ARM PIVOT BUSHING	
37.	803-019C	NUT LOCK 1/2-13 PLT	
38.	804-154C	WASHER POWDER METAL CONE 1/2	
39.	802-121C	RHSNB 1/2-13X5 1/2 GR5	
40.	121-151D	OPENER MOUNTING BRACKET	
41.	805-234C	PIN CLEVIS 1/2 X 4 PLATED	
42.	802-045C	HHCS 1/2-13X5 GR5	
43.	803-169C	NUT HEX FLG. LOCK 1/2-13 PLT	
44.	800-009C	CLAMP HOSE 1 5/8 NO. 26	
45.	107-111D	DD BRG FLANGE DUST COVER	
46.	⊗ 817-347C	OPENER TRUNION	(S/N DD1020+) Replaces items 18 and 19.
47.	817-314C	OPENER SEED TUBE, PLASTIC	Model year 1999+.
48.	121-164D	HEX SEED FLAP MOUNTING CLIP	Model year 1999+.
49.	816-302C	SEED FLAP, RUBBER, SEED-LOK	Model year 1999+.
50.	122-242S	SEED FLAP & HEX CLIP, SEEDLOK	Model year 1999+.
51.	816-306C	PLUG, SPRING ROD CASTING	

Legend: ● = 1st revision; ⊗ = 2nd revision; ⊕ = 3rd revision; ● = use up existing stock; ⊗ = not interchangeable; ⊕ ⊗ = for example: revision 2 is not interchangeable w/revision 1

00 HD Series Short Arm Opener



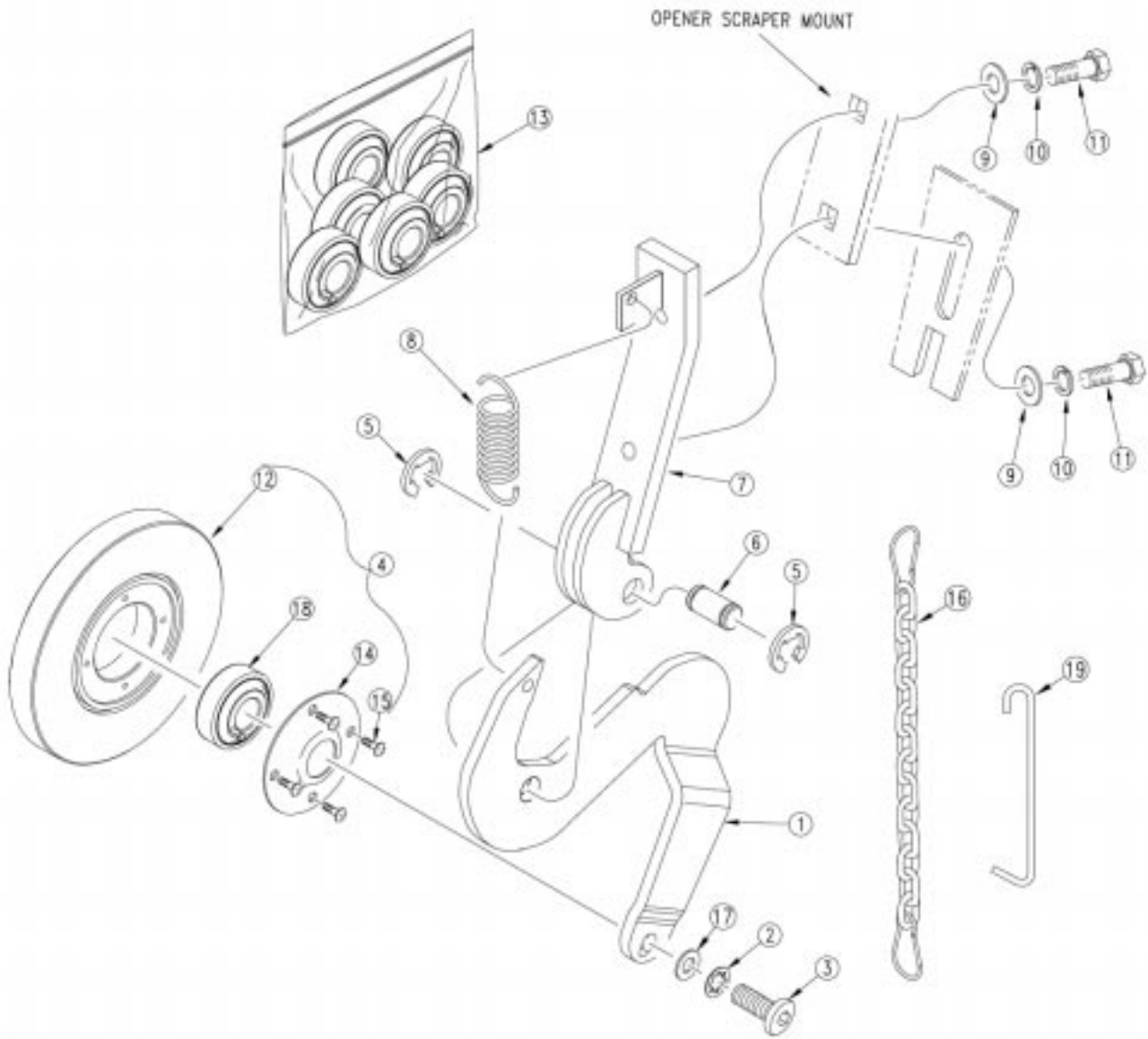
24427

00 HD Series Short Arm Opener

Ref.	Part No.	Part Description	Comments
1.	107-111D	DD BRG FLANGE DUST COVER	
2.	121-002H	UPPER SEED TUBE WELDMENT	
3.	121-005S	OPENER SPRING ROD ASSY. LONG.	
4.	121-045D	SEED TUBE 00 HD SMOOTH FLOW	
5.	121-151D	OPENER MOUNTING BRACKET	
6.	142-198D	STRAIGHT ARM OPENER PIVOT PIPE	
7.	198-331D	SEED TUBE 25S HOOK CLIP	
8.	221-130H	OPENER WELDMENT-HD 00 SHORT	
9.	404-121S	4.0 MM 15 DISC W/ 5/8 ASSY	
10.	404-170H	25P SCRAPER SEPARATOR WLDMT	
11.	801-002C	SCREW HEX SLT10-16X1/2P.THD CT	
12.	802-121C	RHSNB 1/2-13X5 1/2 GR5	
13.	802-228C	HHCS 5/8-11X1 1/2 GR5 NYL	
14.	803-169C	NUT HEX FLG. LOCK 1/2-13 PLT.	
15.	804-040C	WASHER MACH 1.19 X .63 X 18GA	
16.	805-109C	PIN COTTER 1/8 X 1 1/4 PLT	
17.	805-127C	PIN CLEVIS 1/2 X 1 3/4	
18.	805-234C	PIN CLEVIS 1/2 X 4 PLATED	
19.	805-335C	PIN ROLL 5/16 X 5/8 PLT	
20.	817-084C	PARALLEL ARM PIVOT BUSHING	
21.	817-349C	SEED FLAP, UHMW, LONG	
	816-536C	SEED FLAP-RUBBER, SEED-LOK LNG	
22.	817-697C	SEED TUBE 00S SMOOTH CAP	
23.	817-688C	HOLE PLUG 1 3/4	
24.	802-045C	HHCS 1/2-13X5 GR5	
25.	804-154C	WASHER POWDER METAL CONE 1/2	
26.	803-019C	NUT LOCK 1/2-13 PLT	
27.	107-137V	FLANGE AND BEARING ASSY	
28.	800-213C	RIVET,BUTTON HEAD 1/4 X 1/2	
29.	820-287C	4.0 MM 15 DISK (21 DEG BEVEL)	
30.	122-001S	PW ADJUST TRUNION ASSY	
31.	817-328C	T-HANDLE ASSEMBLY	
32.	805-186C	PIN ROLL 5/32 X 5/8 PLT	
33.	817-347C	OPENER TRUNION	
34.	807-106C	SPRING .540 O.D.X 1 1/4 X.054W	
35.	805-385C	PIN CLEVIS 3/8 X 3 PLT	
36.	800-292C	HOSE CLAMP 1 13/32 NO. 22	
37.	816-239C	SEED HOSE 56 RIBS X 11 LONG	
38.	800-009C	CLAMP HOSE 1 5/8 NO. 26	
39.	121-044D	ADJ. YOKE END, 11/16" OPENING	
40.	803-036C	NUT HEX JAM 1/2-13 PLT	
41.	803-193C	NUT HEX FLANGE 1/2-13 GR G PLT	
42.	121-154D	SPRING STOP STAMPING	
43.	802-550C	HHCS 1/2-13X10 SPTHD GR8	
44.	807-262C	SPRING COMP 2.56ODX.393X12.875	
45.	812-236C	OPNR SPRING RD TRUNION CASTING	
46.	816-306C	PLUG, SPRING ROD CASTING	

Legend: ● = 1st revision; ● = 2nd revision; ● = 3rd revision; ● = use up existing stock; ⊗ = not interchangeable; ⊗ ⊕ ● = for example: revision 2 is not interchangeable w/revision 1

5" & 6" Seed-Lok® (Option) (122-193K & 122-266K)



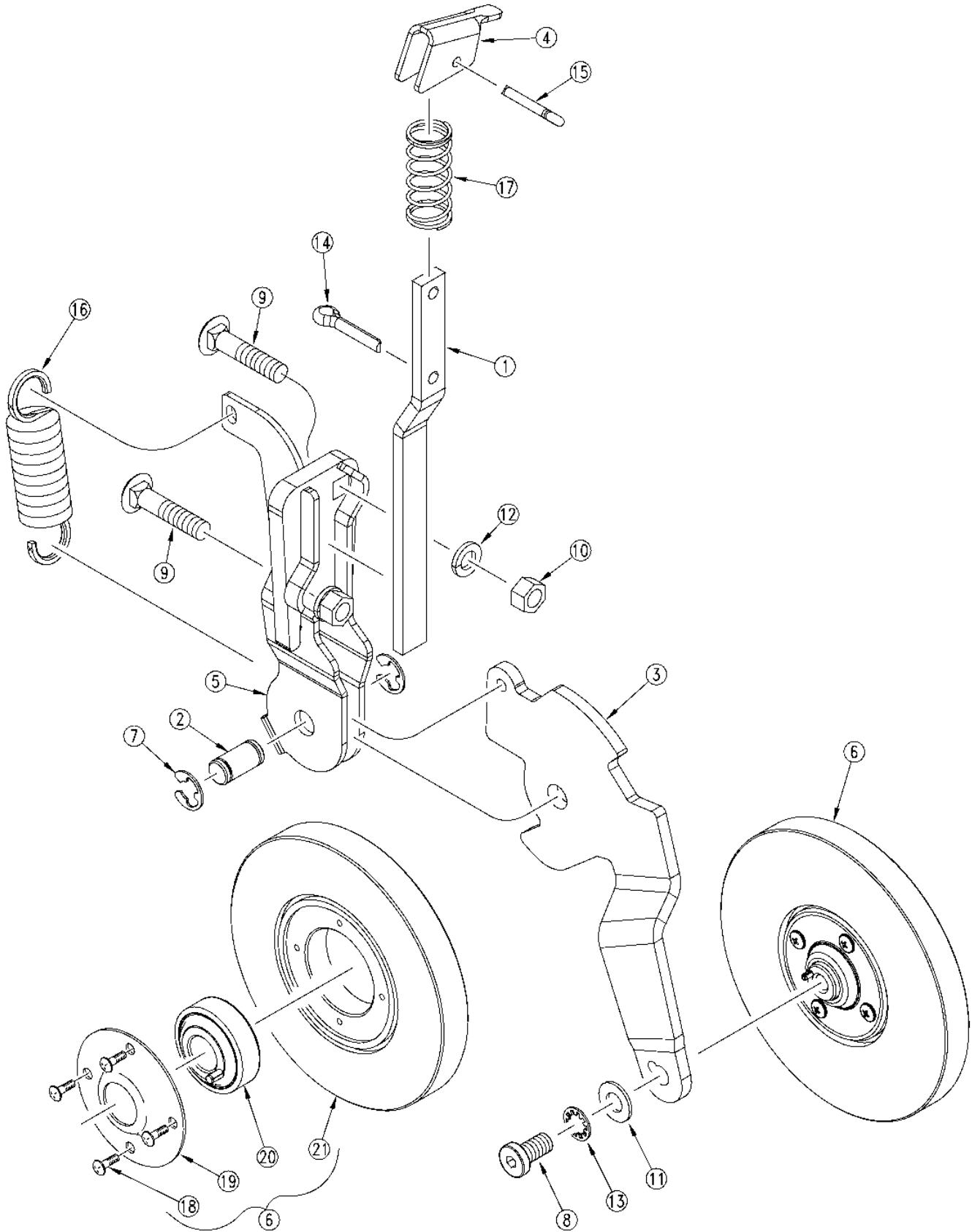
17204

5" & 6" Seed-Lok® (Option) (122-193K & 122-266K)

Ref.	Part No.	Part Description	Comments
1.	122-151D	SEED-LOK ARM (1994)	
2.	804-078C	WASHER INTERNAL STAR 3/8 PLT.	
3.	801-141C	LHS CP 3/8-16X3/4 GR8 PLAIN	
4.	122-201S	SD-LK 203 BEARING WHEEL ASSY	5" Seed-lok
	206-014S	6 GROOVED SEED LOK ASSEMBLY	6" Seed-lok
5.	800-093C	SNAP RING EXT E 1/2	
6.	122-120D	5 SEED-LOK WHL ARM PIVOT PIN	
7.	122-173H	SS RMVBL SD-LOK MNT WLDMT	
8.	807-101C	SPRING, 1 O.D.X.125WIREX 3 1/2	
9.	804-012C	WASHER FLAT 3/8 SAE PLT	
10.	804-013C	WASHER LOCK SPRING 3/8 PLT	
11.	802-017C	HHCS 3/8-16X1 GR5	
12.	817-134C	5/8 X 5 SEED FIRING WHEEL	5" Seed-lok
	817-191C	5/8 X 6 GROOVED SEED LOK WHEEL	6" Seed-lok
13.	122-231A	SEED-LOK BEARING PACKAGE	Contains 6 bearings
14.	816-173C	BEARING RETAINER W/BONDED SEAL	
15.	801-084C	SCR PH THD FMG #10X1/2 TP ZP	
16.	809-198C	SEED LOK TIE UP	
17.	804-012C	WASHER FLAT 3/8 SAE PLT	
18.	188-008V	BEARING 203 SEED-LOK WITH PIN	
19.	800-310C	SEED LOK HANGER SPRING	

Legend: ● = 1st revision; ● = 2nd revision; ● = 3rd revision; ● = use up existing stock; ⊗ = not interchangeable; ⊗ ① ● = for example: revision 2 is not interchangeable w/revision 1

00 HD 6" Seed-Lok® (Option) (122-009K)



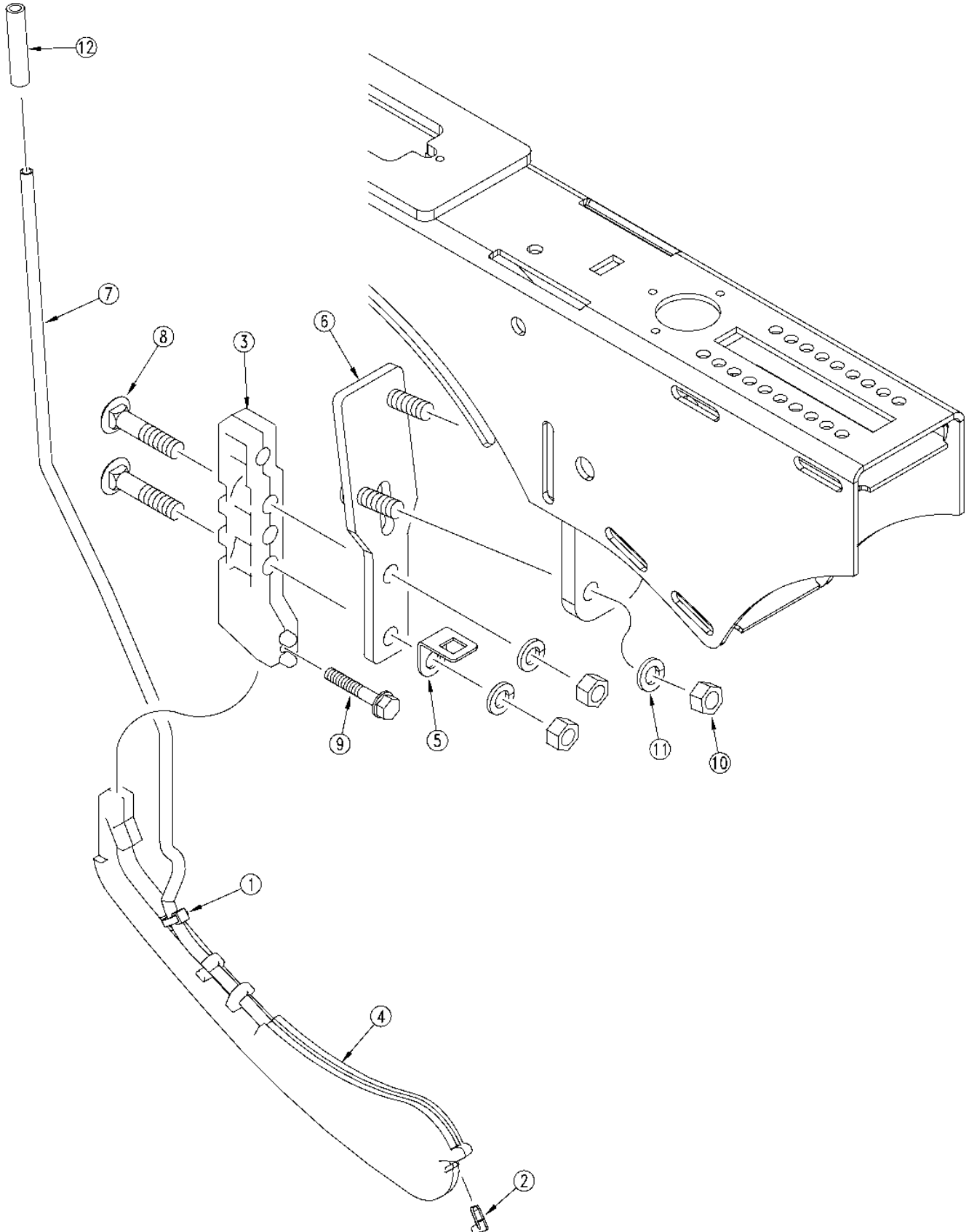
24429

00 HD 6" Seed-Lok® (Option) (122-009K)

Ref.	Part No.	Part Description	Comments
1.	122-003D	00 HD SER SEED LOK LOCK-UP BAR	
2.	122-120D	5 SEED-LOK WHL ARM PIVOT PIN	
3.	122-164D	SEED LOCK ARM, SINGULATING	
4.	122-166D	SEED LOCK LOCK-UP CAM	
5.	122-250H	SEED LOCK MOUNT, SINGULATING	
6.	206-014S	6 SEED LOK ASSEMBLY	
7.	800-093C	SNAP RING EXT E 1/2	
8.	801-141C	LHS CP 3/8-16X3/4 GR8 PLATED	
9.	802-252C	RHSNB 3/8-16X1 3/4 GR5	
10.	803-014C	NUT HEX 3/8-16 PLT	
11.	804-012C	WASHER FLAT 3/8 SAE PLT	
12.	804-013C	WASHER LOCK SPRING 3/8 PLT	
13.	804-078C	WASHER INTERNAL STAR 3/8 PLT.	
14.	805-020C	PIN COTTER 1/4 X 1 PLT	
15.	805-069C	PIN COTTER 3/16 X 1	
16.	807-101C	SPRING, 1 O.D.X.125WIREX 3 1/2	
17.	807-188C	SPRING COMP .85ODX2.0LGX.067W	
18.	801-084C	SCR PH THD FMG #10X1/2 TP ZP	
19.	816-173C	BEARING RETAINER W/BONDED SEAL	
20.	188-008V	BEARING 203 SEED-LOK WITH PIN	
21.	817-191C	5/8 X 6 SEED LOK WHEEL	

Legend: ● = 1st revision; ● = 2nd revision; ● = 3rd revision; ● = use up existing stock; ⊗ = not interchangeable; ⊗ ① ● = for example: revision 2 is not interchangeable w/revision 1

00 HD Keeton Seed Firmer



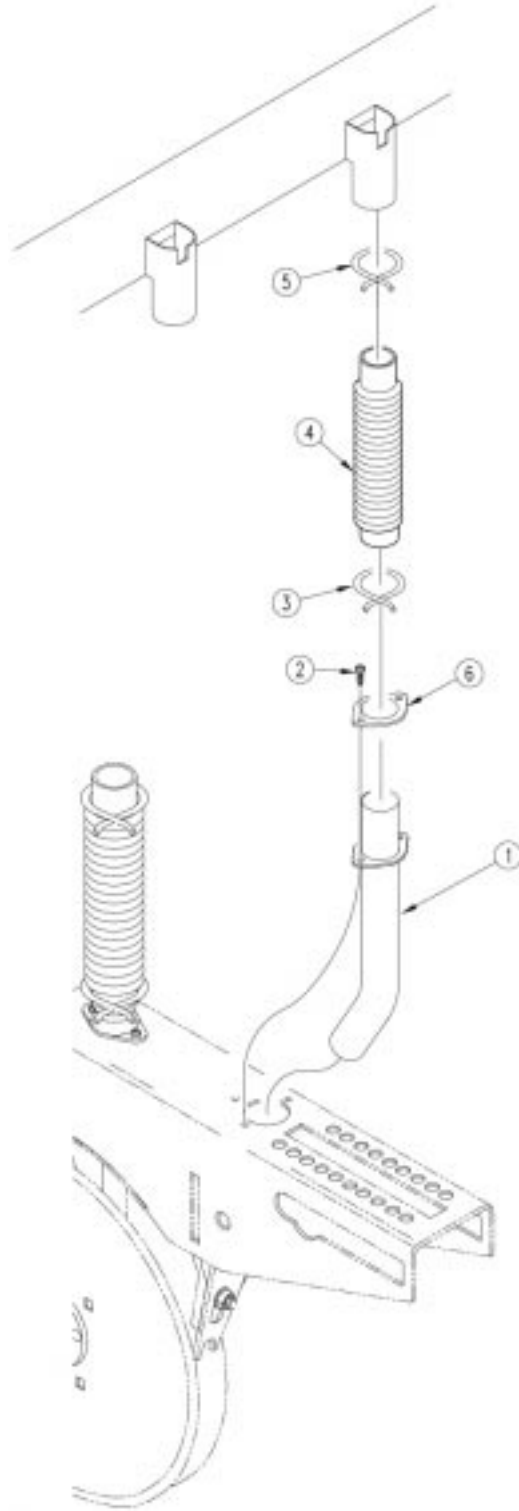
24428

00 HD Keeton Seed Firmer

Ref.	Part No.	Part Description	Comments
1.	63123	CABLE TIE .140 X .050	
2.	125006	FERTILIZER SPLITTER	
3.	129BXT811	KEETON POLY BRACKET	
4.	129BXT812	SEED FIRMER	
5.	129BXT813	HOSE GUIDE TAB	
6.	129BXT821	MOUNTING BRACKET	
7.	129BXT814	BLACK FERTILIZER HOSE FORMED	
8.	802-252C	RHSNB 3/8-16X1 3/4 GR5	
9.	802-617C	HHFS 1/4-20 X 1 1/2 GR 5	
10.	803-014C	NUT HEX 3/8-16 PLT	
11.	804-013C	WASHER LOCK SPRING 3/8 PLT	
12.	900TUBESP	KEETON ADAPTOR TUBE	

Legend: ● = 1st revision; ● = 2nd revision; ● = 3rd revision; ● = use up existing stock; ⊗ = not interchangeable; ⊗ ① ● = for example: revision 2 is not interchangeable w/revision 1

Fertilizer Hose



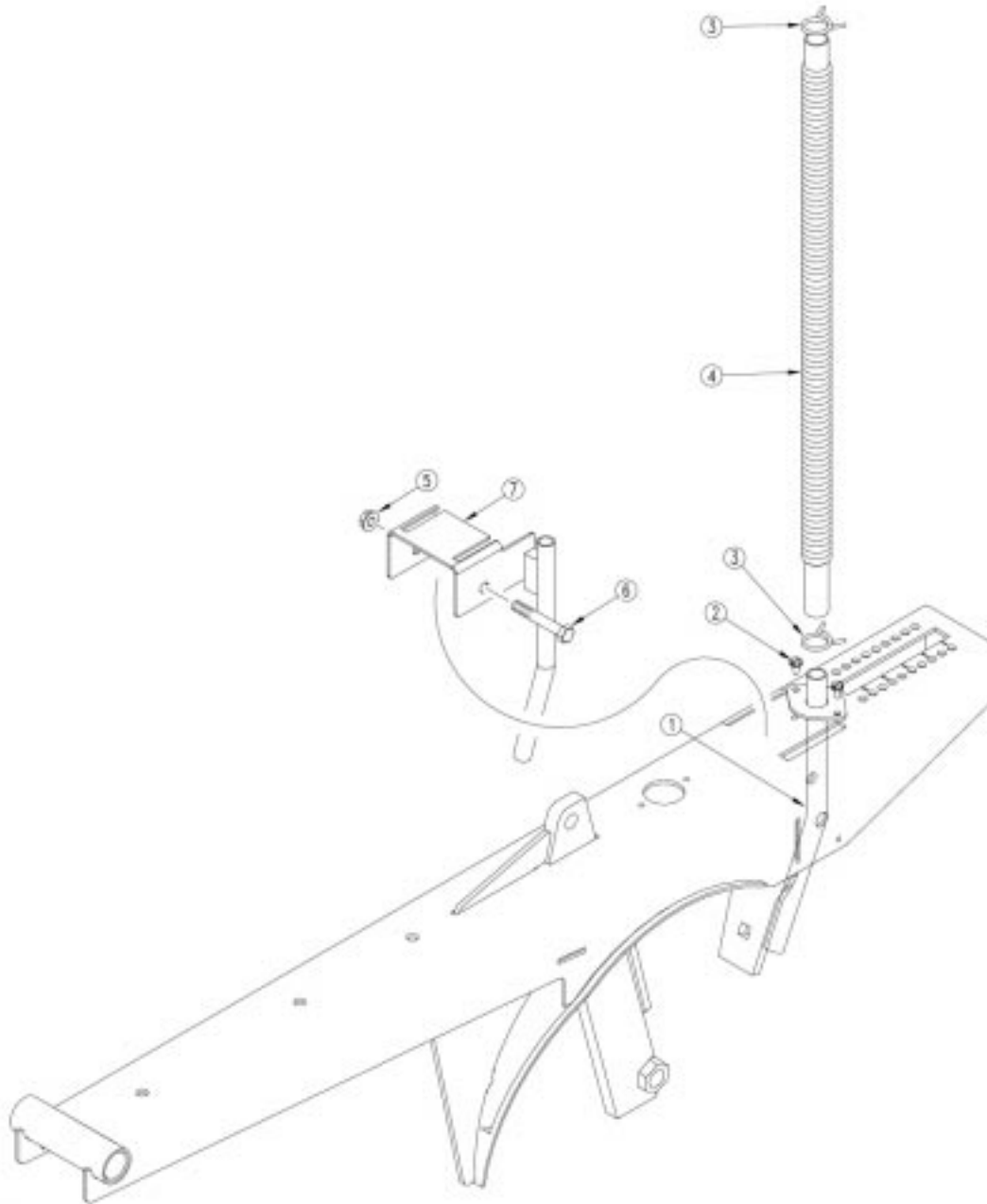
16459

Fertilizer Hose

Ref.	Part No.	Part Description	Comments
1.	817-346C	PLASTIC FERTILIZER TUBE	
2.	801-002C	SCREW HEX SLT10-16X3/8P.THD CT	
3.	800-008C	CLAMP HOSE 1 1/2 NO. 24	
4.	816-007C	SEED HOSE X 59 RIBS 1.5-1.25	
5.	800-016C	UPPER FERT HOSE CLAMP RATCHET	
6.	133-065D	SML SDS TB REINFORCEMENT RING	

Legend: ① = 1st revision; ② = 2nd revision; ③ = 3rd revision; ● = use up existing stock; ⊗ = not interchangeable; ⊗ ① ② = for example: revision 2 is not interchangeable w/revision 1

Small Seeds Hose



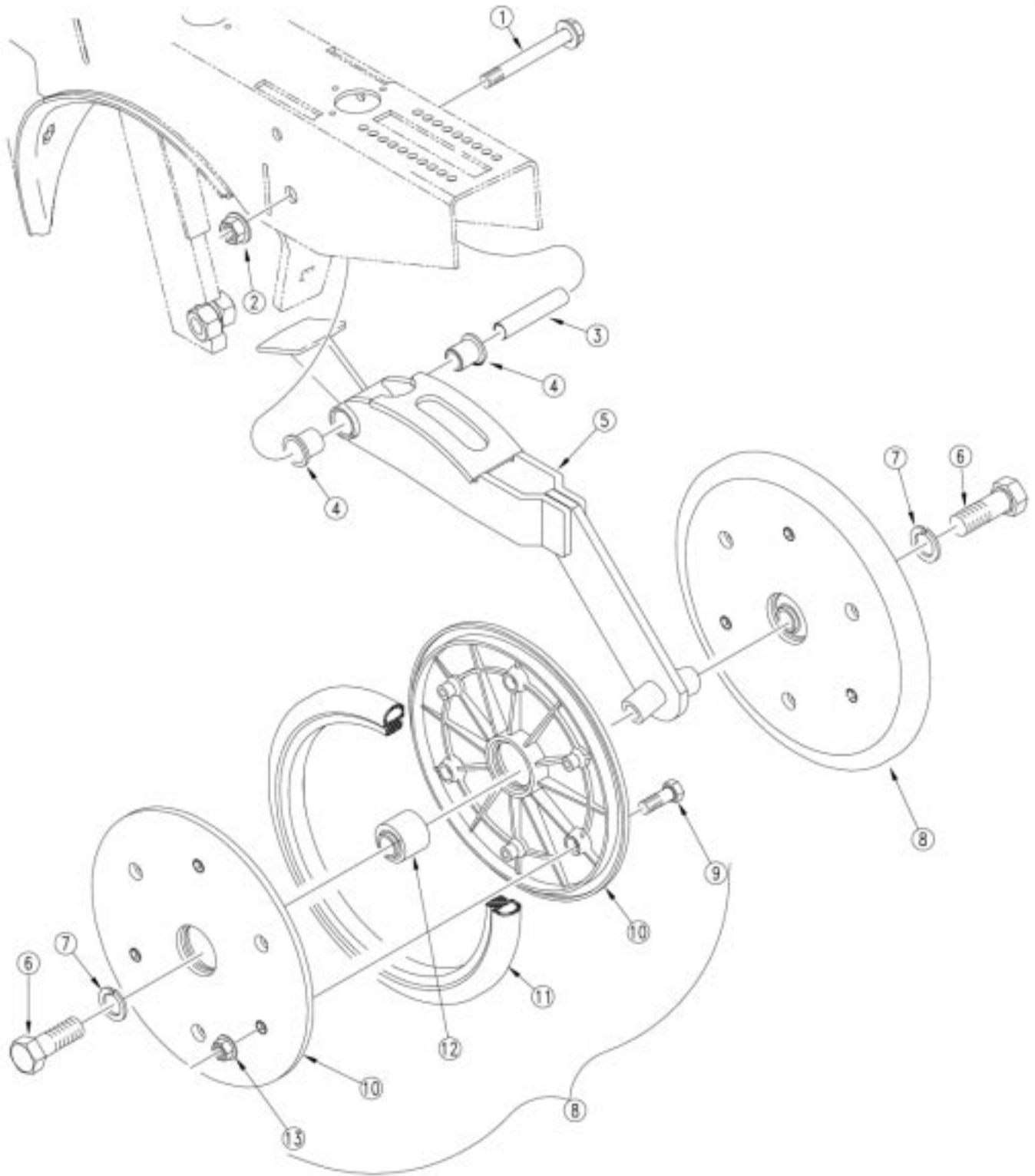
19325

Small Seeds Hose

Ref.	Part No.	Part Description	Comments
1.	123-939H	SMALL SEEDS TUBE WELDMENT	
2.	801-002C	SCREW HEX SLT10-16X3/8P.THD CT	
3.	800-321C	HOSE CLAMP NO.12 3/4 ID	
4.	816-358C	SGS HOSE 122 RIBS	
5.	803-209C	NUT FLANGE LOCK 3/8-16 PLT	With Fertilizer Option Only
6.	802-427C	HFS 3/8-16X3 5/8 SPTH	With Fertilizer Option Only
7.	133-128H	SGS SIDE DELIVERY TUBE	With Fertilizer Option Only

Legend: ① = 1st revision; ② = 2nd revision; ③ = 3rd revision; ● = use up existing stock; ⊗ = not interchangeable; ⊗ ① ② = for example: revision 2 is not interchangeable w/revision 1

1" x 12" Double "V" Press Wheel



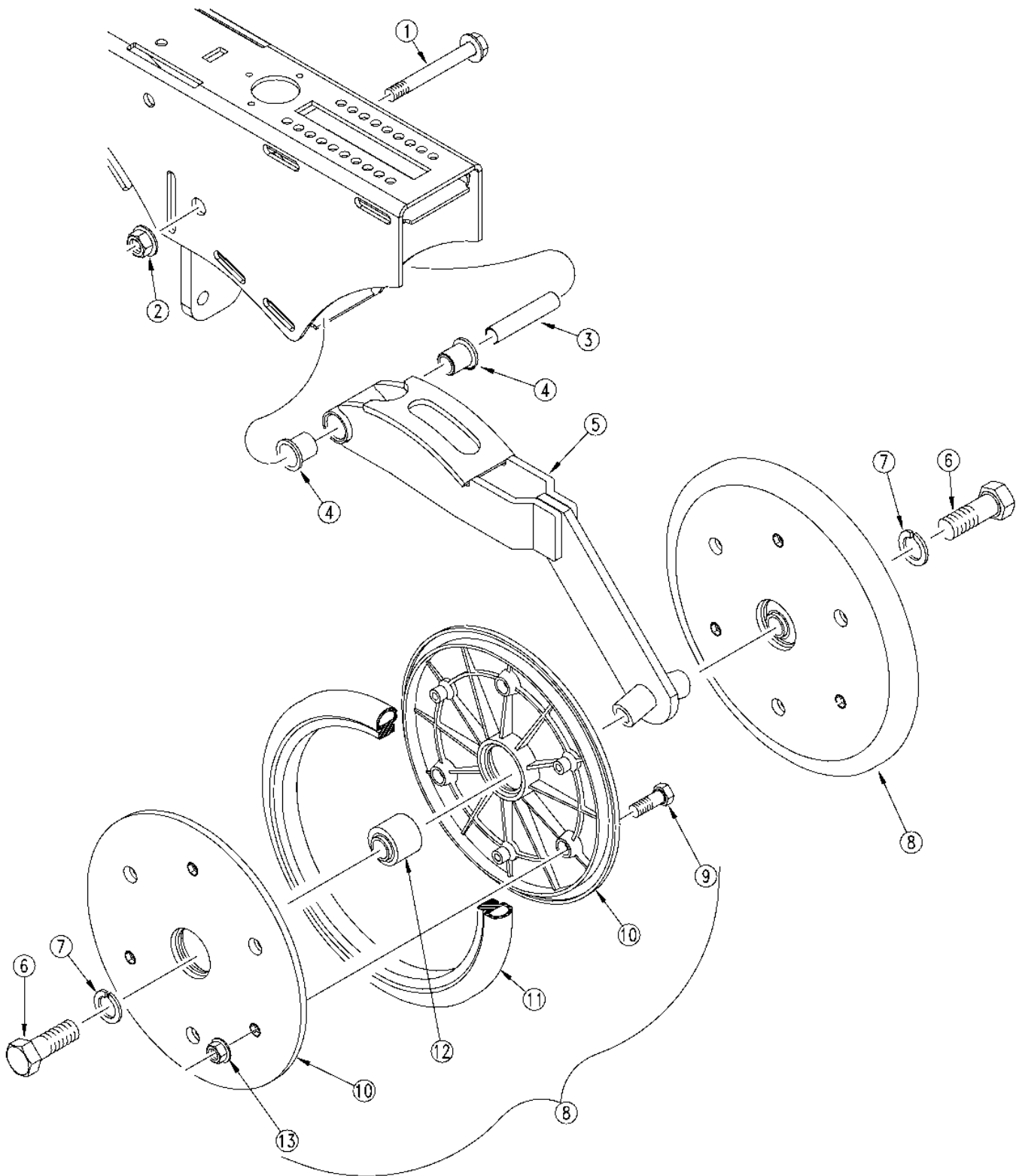
15466

1" x 12" Double "V" Press Wheel

Ref.	Part No.	Part Description	Comments
1.	802-421C	HFS 1/2-13X3 3/4 GR5 SPTH	
2.	803-169C	NUT HEX FLG. LOCK 1/2-13 PLT.	
3.	198-137D	PRESS WHEEL PIVOT TUBE	
4.	817-084C	PARALLEL ARM PIVOT BUSHING	
5.	199-022H	98 1X12 PRESS WHEEL WELDMENT	
6.	802-051C	HHCS 5/8-11X1 1/2 GR5	
7.	804-022C	WASHER LOCK SPRING 5/8 PLT	
8.	814-174C	1 X 12 PRESS WHL ASSY-5203BRG	Includes items 9 through 13
9.	802-005C	HHCS 1/4-20X1 GR5	
10.	817-330C	1 X 12 PRESS WHEEL RIM HALF	
11.	814-034C	TIRE RUBBER 1 X 12	
12.	822-170C	BEARING PRESS WHEEL ASSEMBLY	
13.	803-088C	NUT HEX LOCK 1/4-20 FLG	

Legend: ● = 1st revision; ● = 2nd revision; ● = 3rd revision; ● = use up existing stock; ⊗ = not interchangeable; ⊗ ① ● = for example: revision 2 is not interchangeable w/revision 1

HD 1" x 12" Double "V" Press Wheel



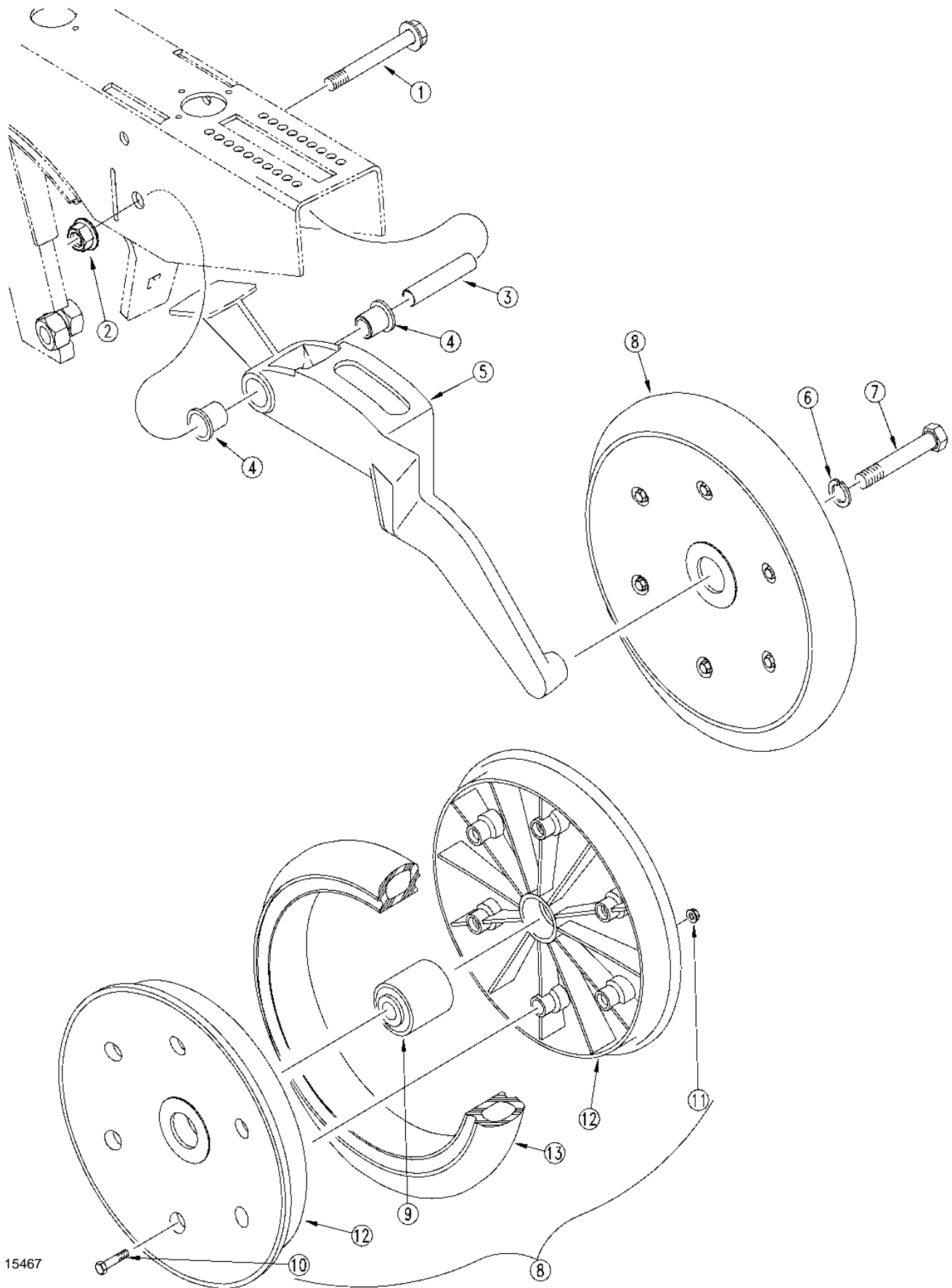
24430

HD 1" x 12" Double "V" Press Wheel

Ref.	Part No.	Part Description	Comments
1.	802-421C	HFS 1/2-13X3 3/4 GR5 SPTH	
2.	803-169C	NUT HEX FLG. LOCK 1/2-13 PLT.	
3.	198-137D	PRESS WHEEL PIVOT TUBE	
4.	817-084C	PARALLEL ARM PIVOT BUSHING	
5.	199-043H	NG 1X12 PRESS WHEEL ARM	
6.	802-058C	HHCS 5/8-11X2 1/2 GR5	
7.	804-022C	WASHER LOCK SPRING 5/8 PLT	
8.	814-174C	1 X 12 PRESS WHL ASSY-5203BRG	Includes items 9 through 13
9.	802-005C	HHCS 1/4-20X1 GR5	
10.	817-330C	1 X 12 PRESS WHEEL RIM HALF	
11.	814-034C	TIRE RUBBER 1 X 12	
12.	822-170C	BEARING PRESS WHEEL ASSEMBLY	
13.	803-088C	NUT HEX LOCK 1/4-20 FLG	

Legend: ● = 1st revision; ● = 2nd revision; ● = 3rd revision; ● = use up existing stock; ⊗ = not interchangeable; ⊗ ① ● = for example: revision 2 is not interchangeable w/revision 1

2" x 13" Single Press Wheel



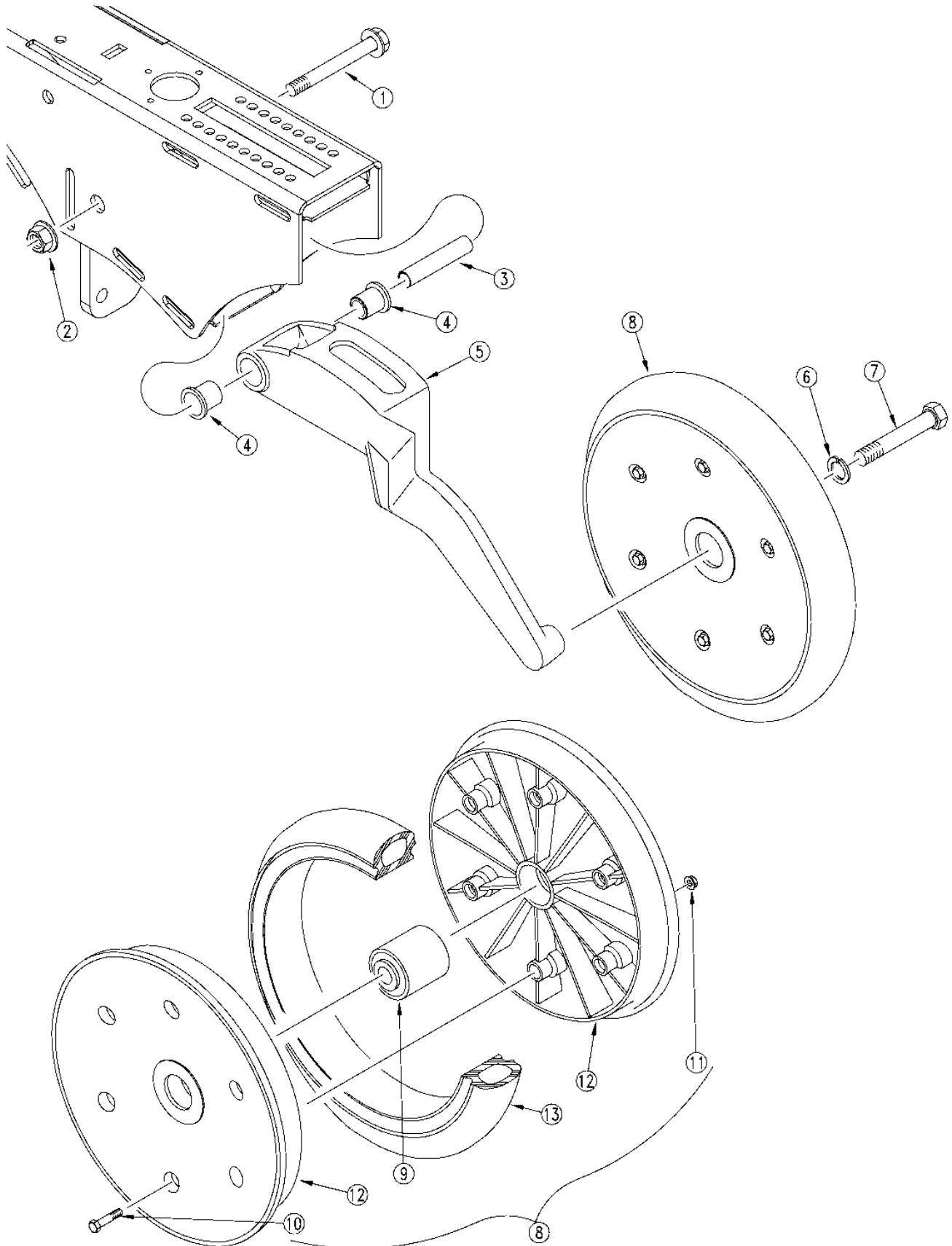
15467

2" x 13 " Single Press Wheel

Ref.	Part No.	Part Description	Comments
1.	802-421C	HFS 1/2-13X3 3/4 GR5 SPTH	
2.	803-169C	NUT HEX FLG. LOCK 1/2-13 PLT.	
3.	198-137D	PRESS WHEEL PIVOT TUBE	
4.	817-084C	PARALLEL ARM PIVOT BUSHING	
5.	② 199-042D	UNIVERSAL PW ARM MACH 2&3X13	
	① 199-028D	REPLACED BY 199-042D	
6.	804-022C	WASHER LOCK SPRING 5/8 PLT	
7.	802-058C	HHCS 5/8-11X2 1/2 GR5	
8.	814-157C	2 X 13 PRESS WHEEL ASSEMBLY	Includes items 9 through 13
9.	822-170C	BEARING PRESS WHEEL ASSEMBLY	
10.	802-617C	HHFS 1/4-20 X 1 1/2 GR 5	
11.	803-088C	NUT HEX LOCK 1/4-20 FLG	
12.	817-296C	2 X 13 PRESS WHEEL RIM HALF	
13.	814-159C	2 X 13 PRESS WHEEL TIRE	

Legend: ① = 1st revision; ② = 2nd revision; ③ = 3rd revision; ● = use up existing stock; ⊗ = not interchangeable; ⊗ ① ② = for example: revision 2 is not interchangeable w/revision 1

HD 2" x 13" Single Press Wheel



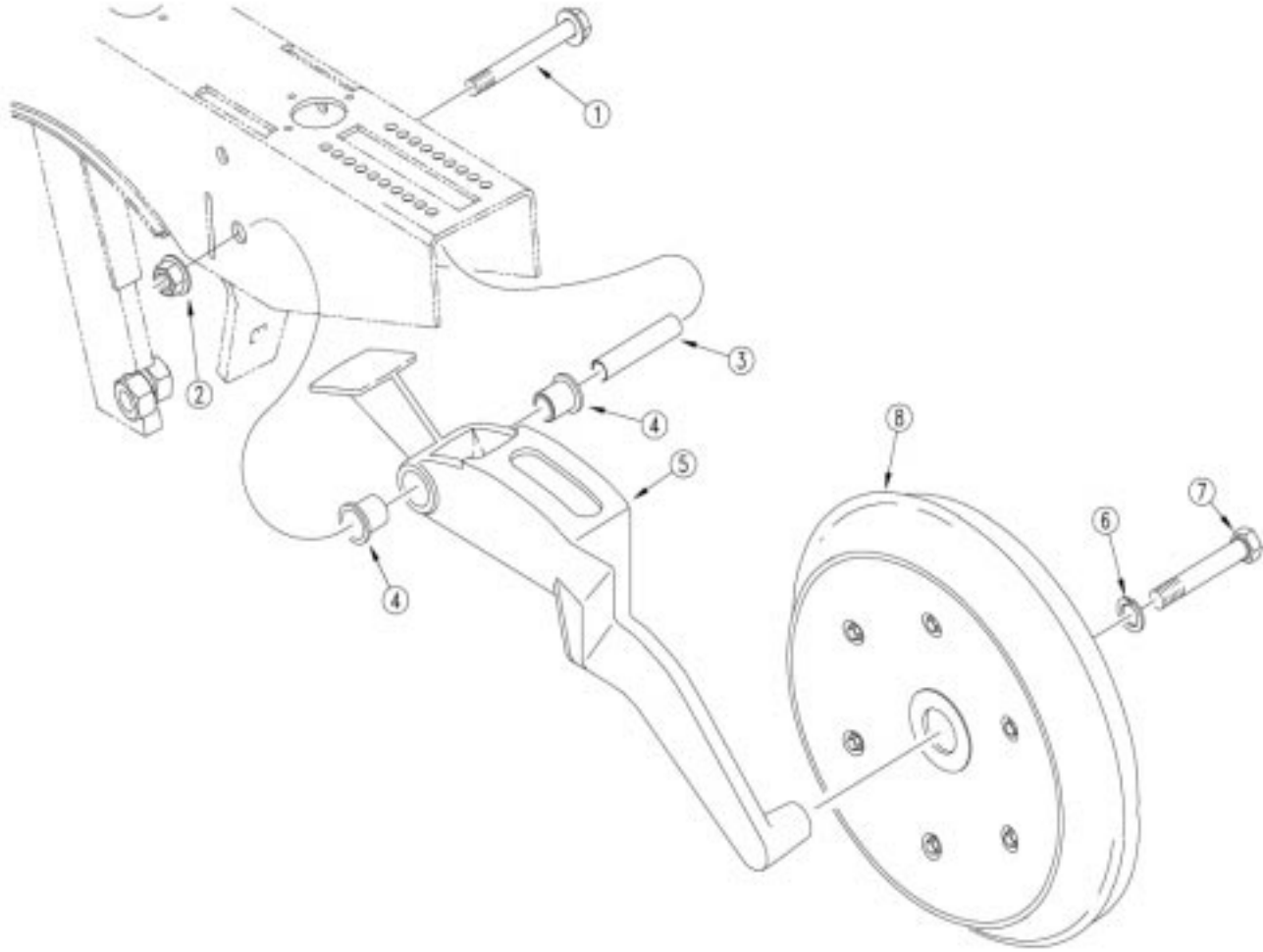
24431

HD 2" x 13" Single Press Wheel

Ref.	Part No.	Part Description	Comments
1.	802-421C	HFS 1/2-13X3 3/4 GR5 SPTH	
2.	803-169C	NUT HEX FLG. LOCK 1/2-13 PLT.	
3.	198-137D	PRESS WHEEL PIVOT TUBE	
4.	817-084C	PARALLEL ARM PIVOT BUSHING	
5.	202-189D	NG UNIVERSAL PRESS WHEEL ARM	
6.	804-022C	WASHER LOCK SPRING 5/8 PLT	
7.	802-058C	HHCS 5/8-11X2 1/2 GR5	
8.	814-157C	2 X 13 PRESS WHEEL ASSEMBLY	Includes items 9 through 13
9.	822-170C	BEARING PRESS WHEEL ASSEMBLY	
10.	802-617C	HHFS 1/4-20 X 1 1/2 GR 5	
11.	803-088C	NUT HEX LOCK 1/4-20 FLG	
12.	817-296C	2 X 13 PRESS WHEEL RIM HALF	
13.	814-159C	2 X 13 PRESS WHEEL TIRE	

Legend: ● = 1st revision; ● = 2nd revision; ● = 3rd revision; ● = use up existing stock; ⊗ = not interchangeable; ⊗ ① ● = for example: revision 2 is not interchangeable w/revision 1

3" x 13" Single Press Wheel



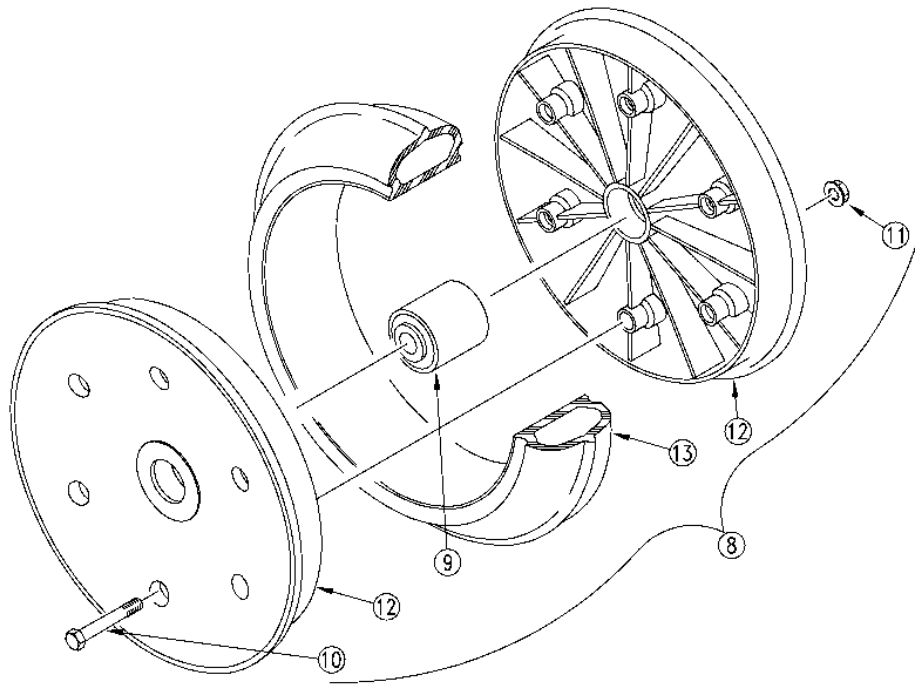
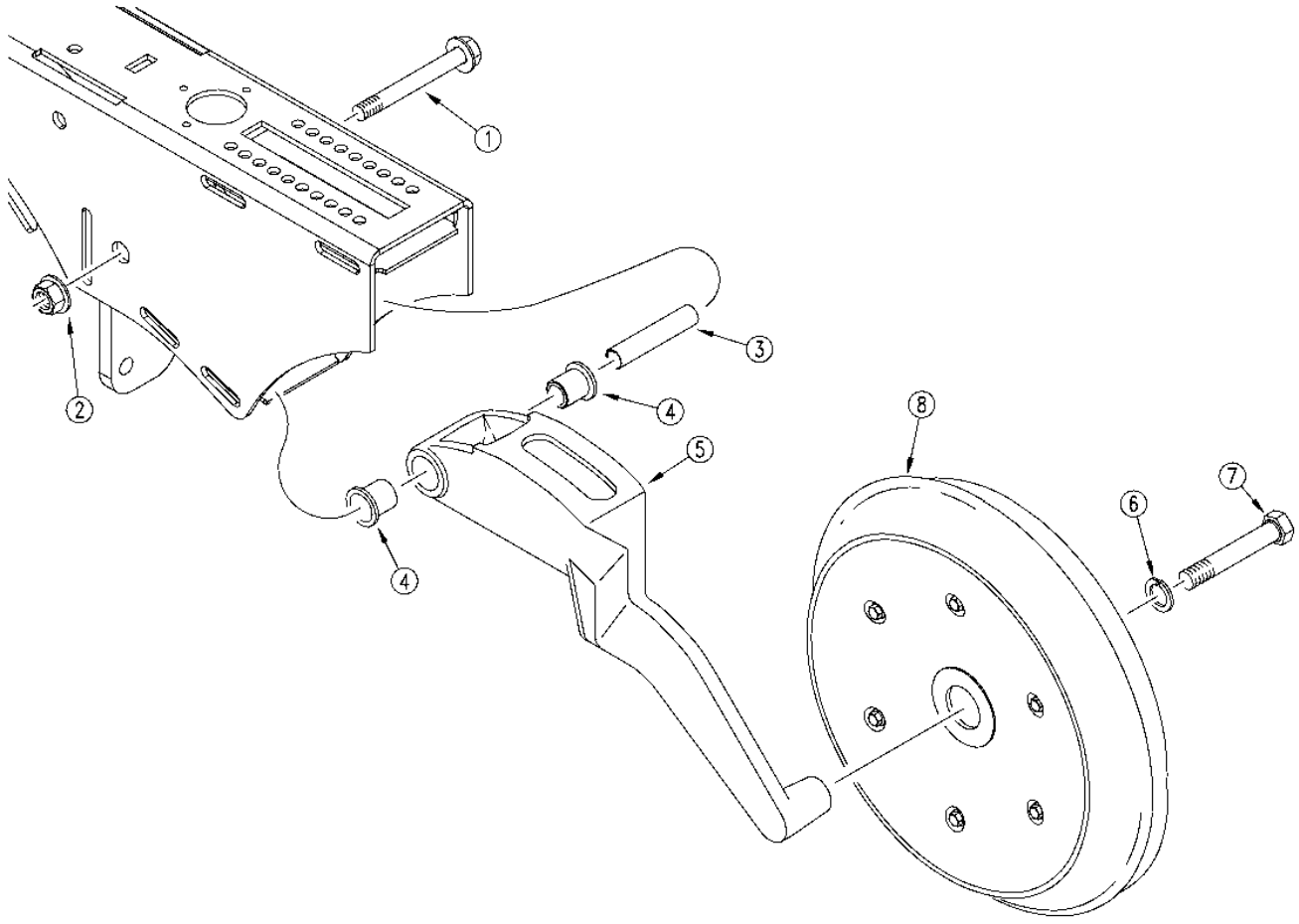
15468

3" x 13" Single Press Wheel

Ref.	Part No.	Part Description	Comments
1.	802-421C	HFS 1/2-13X3 3/4 GR5 SPTH	
2.	803-169C	NUT HEX FLG. LOCK 1/2-13 PLT.	
3.	198-137D	PRESS WHEEL PIVOT TUBE	
4.	817-084C	PARALLEL ARM PIVOT BUSHING	
5.	② 199-042D	UNIVERSAL PW ARM MACH 2&3X13	
	① 199-029D	REPLACED BY 199-042D	
6.	804-022C	WASHER LOCK SPRING 5/8 PLT	
7.	802-058C	HHCS 5/8-11X2 1/2 GR5	
8.	814-158C	3 X 13 PRESS WHEEL ASSEMBLY	Includes items 9 through 13
9.	822-170C	BEARING PRESS WHEEL ASSEMBLY	
10.	802-618C	HHFS 1/4-20 X 2 GR 5	
11.	803-088C	NUT HEX LOCK 1/4-20 FLG	
12.	817-297C	3 X 13 PRESS WHEEL RIM HALF	
13.	814-160C	3 X 13 PRESS WHEEL TIRE	

Legend: ① = 1st revision; ② = 2nd revision; ③ = 3rd revision; ● = use up existing stock; ⊗ = not interchangeable; ⊗ ① ② = for example: revision 2 is not interchangeable w/revision 1

HD 3" x 13" Single Press Wheel



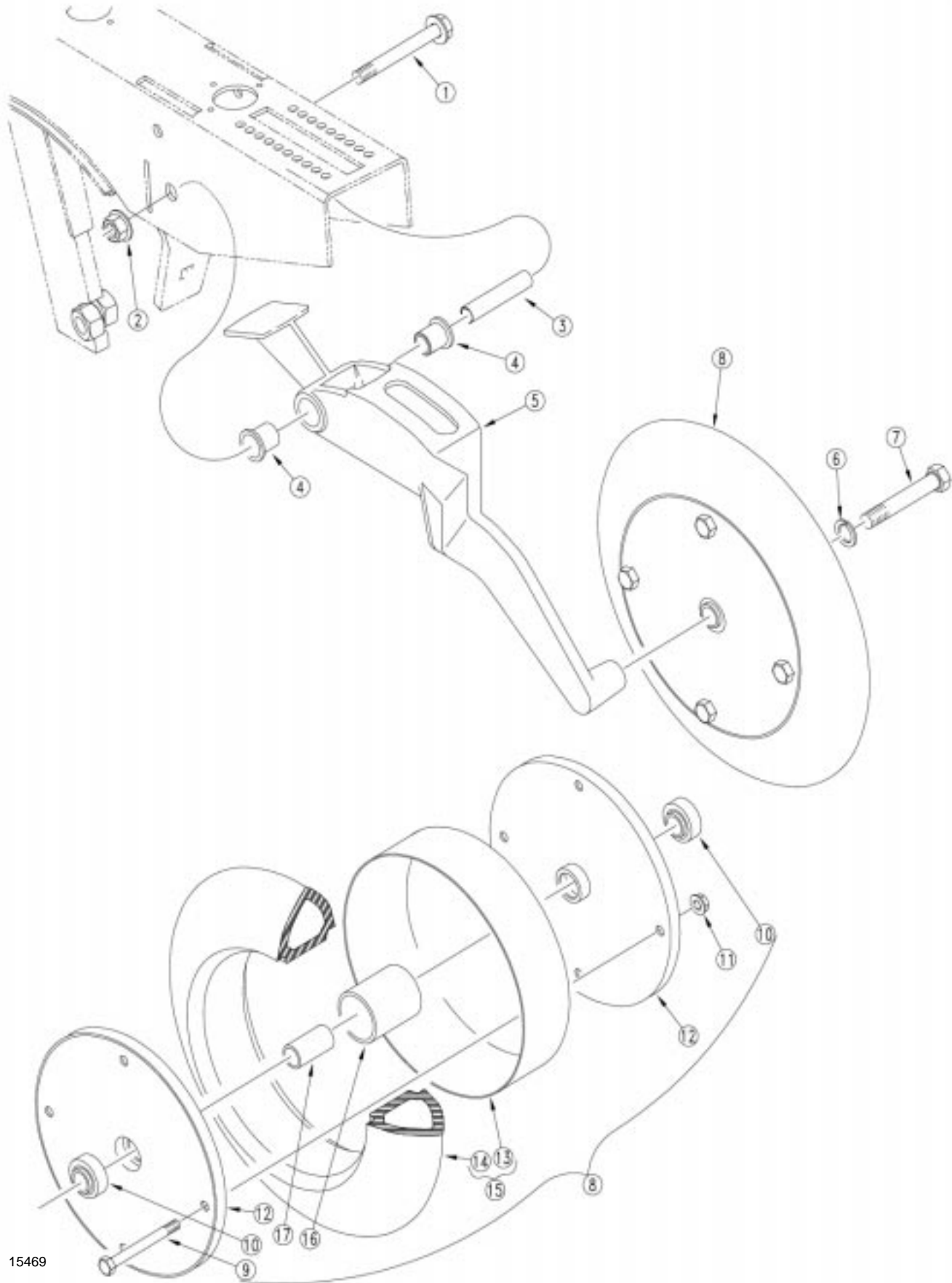
24432

HD 3" x 13" Single Press Wheel

Ref.	Part No.	Part Description	Comments
1.	802-421C	HFS 1/2-13X3 3/4 GR5 SPTH	
2.	803-169C	NUT HEX FLG. LOCK 1/2-13 PLT.	
3.	198-137D	PRESS WHEEL PIVOT TUBE	
4.	817-084C	PARALLEL ARM PIVOT BUSHING	
5.	202-189D	NG UNIVERSAL PRESS WHEEL ARM	
6.	804-022C	WASHER LOCK SPRING 5/8 PLT	
7.	802-058C	HHCS 5/8-11X2 1/2 GR5	
8.	814-158C	3 X 13 PRESS WHEEL ASSEMBLY	Includes items 9 through 13
9.	822-170C	BEARING PRESS WHEEL ASSEMBLY	
10.	802-618C	HHFS 1/4-20 X 2 GR 5	
11.	803-088C	NUT HEX LOCK 1/4-20 FLG	
12.	817-297C	3 X 13 PRESS WHEEL RIM HALF	
13.	814-160C	3 X 13 PRESS WHEEL TIRE	

Legend: ● = 1st revision; ● = 2nd revision; ● = 3rd revision; ● = use up existing stock; ⊗ = not interchangeable; ⊗ ① ● = for example: revision 2 is not interchangeable w/revision 1

3" x 14" Peaked Single Press Wheel



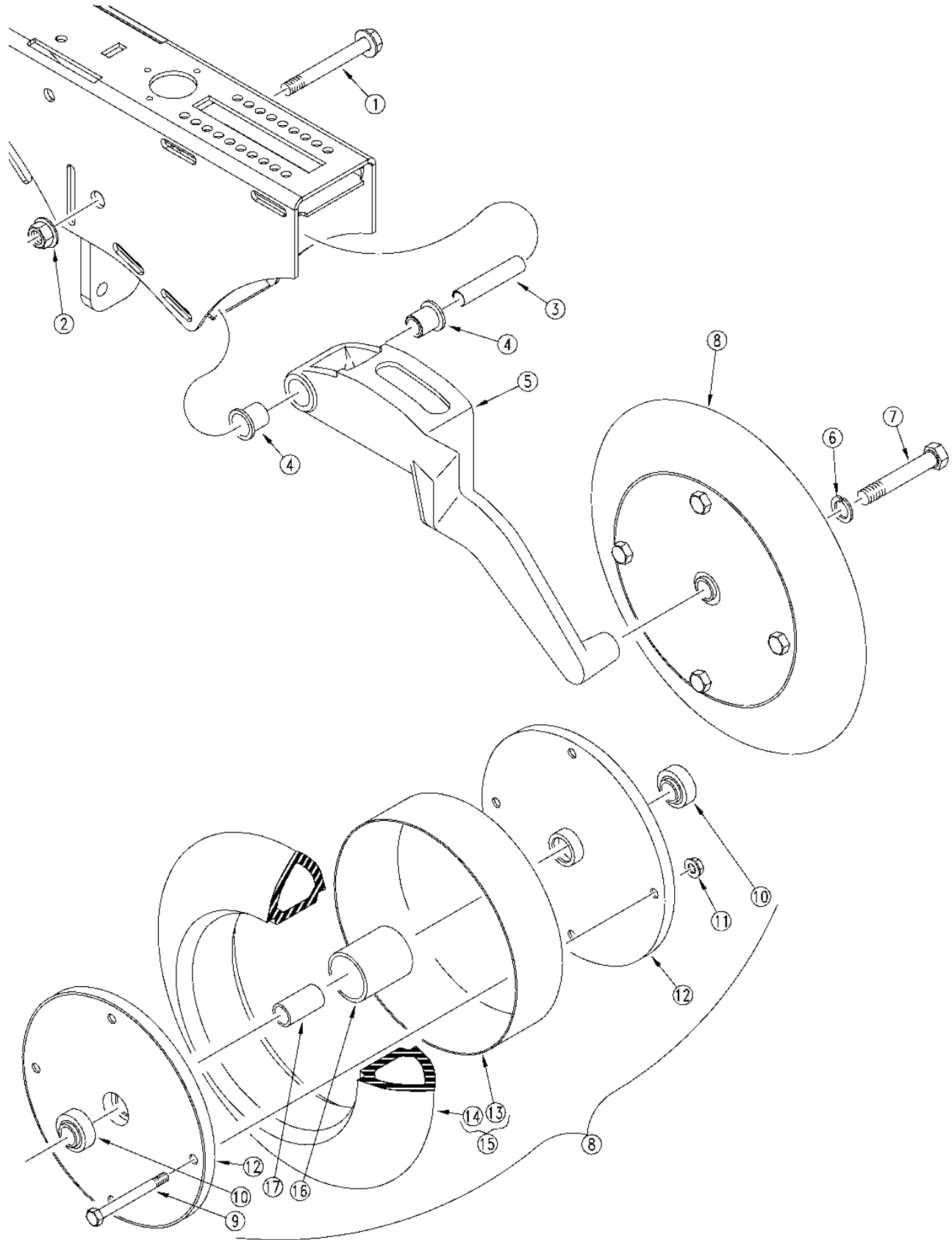
15469

3" x 14" Peaked Single Press Wheel

Ref.	Part No.	Part Description	Comments
1.	802-421C	HFS 1/2-13X3 3/4 GR5 SPTH	
2.	803-169C	NUT HEX FLG. LOCK 1/2-13 PLT.	
3.	198-137D	PRESS WHEEL PIVOT TUBE	
4.	817-084C	PARALLEL ARM PIVOT BUSHING	
5.	199-030D	3 X 14 PRESS WHEEL ARM	
6.	804-022C	WASHER LOCK SPRING 5/8 PLT	
7.	802-059C	HHCS 5/8-11X3 GR5	
8.	122-117S	3 X 14 PEAKED P.W. ASSEMBLY	Includes items 9 through 17
9.	802-197C	HHCS 5/16-18X2 3/4 GR5	
10.	822-095C	BEARING DBL LIP 203 X 5/8 BORE	
11.	803-177C	NUT HEX LOCK 5/16-18 FLG.	
12.	122-041D	4X12 PW RIM HALF	
13.	817-063C	3 X 14 RIM SPACER RING	
14.	814-067C	TIRE 3 X 14 PW PEAKED	
15.	122-198V	3 X 14 TIRE & RING ASSEMBLY	Includes items 13 and 14
16.	817-062C	LARGE SPACER TUBE	
17.	122-110D	SMALL SPACER TUBE	

Legend: ● = 1st revision; ● = 2nd revision; ● = 3rd revision; ● = use up existing stock; ⊗ = not interchangeable; ⊗ ① ● = for example: revision 2 is not interchangeable w/revision 1

HD 3" x 14" Peaked Single Press Wheel



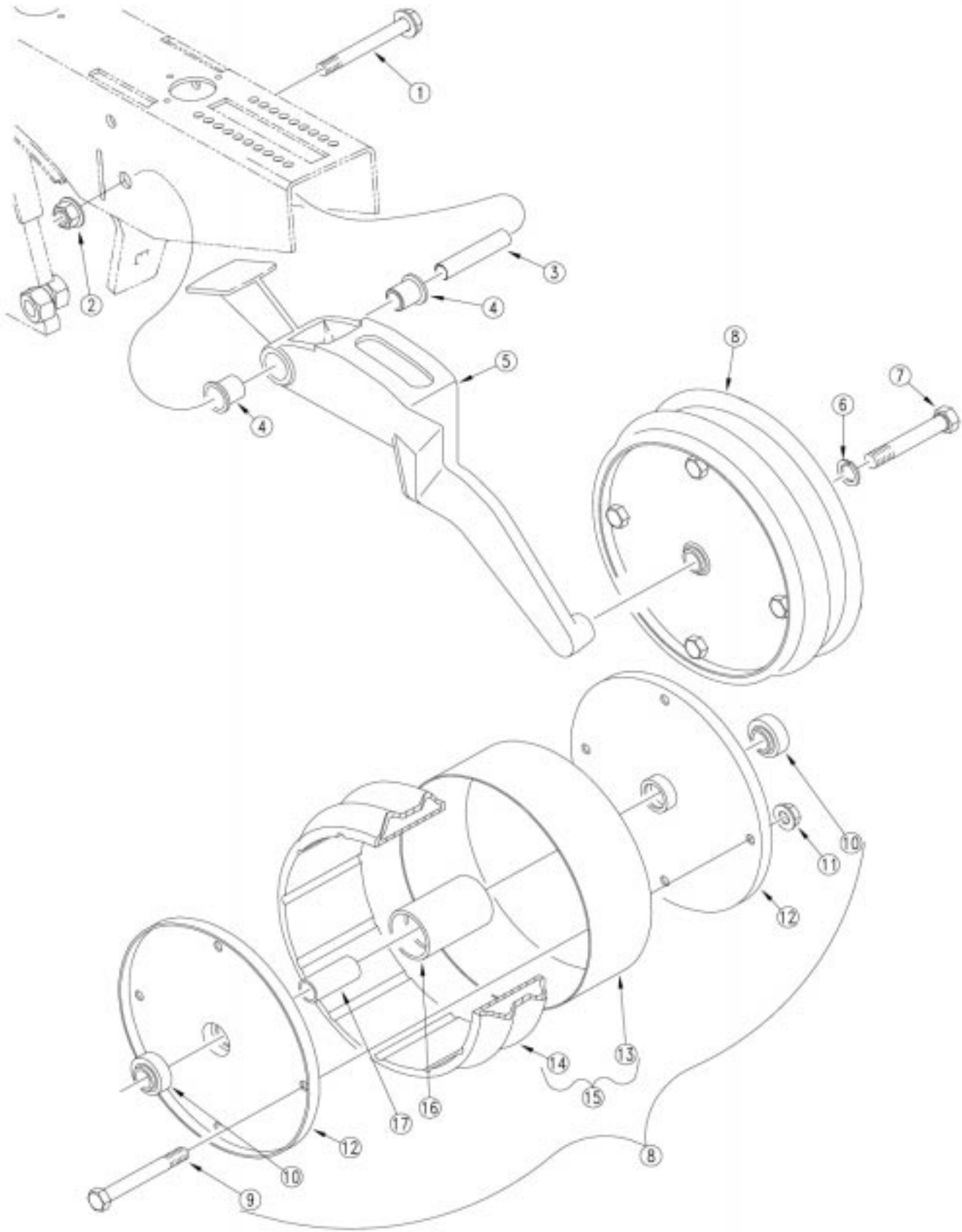
24433

HD 3" x 14" Peaked Single Press Wheel

Ref.	Part No.	Part Description	Comments
1.	802-421C	HFS 1/2-13X3 3/4 GR5 SPTHD	
2.	803-169C	NUT HEX FLG. LOCK 1/2-13 PLT.	
3.	198-137D	PRESS WHEEL PIVOT TUBE	
4.	817-084C	PARALLEL ARM PIVOT BUSHING	
5.	202-190D	NG 3X14 PRESS WHEEL ARM	
6.	804-022C	WASHER LOCK SPRING 5/8 PLT	
7.	802-059C	HHCS 5/8-11X3 GR5	
8.	122-117S	3 X 14 PEAKED P.W. ASSEMBLY	Includes items 9 through 17
9.	802-197C	HHCS 5/16-18X2 3/4 GR5	
10.	822-095C	BEARING DBL LIP 203 X 5/8 BORE	
11.	803-177C	NUT HEX FLG TOP LK 5/16-18 YLW	
12.	122-041D	4X12 PW RIM HALF	
13.	817-063C	3 X 14 RIM SPACER RING	
14.	814-067C	TIRE 3 X 14 PW PEAKED	
15.	122-198V	3 X 14 TIRE & RING ASSEMBLY	Includes items 13 and 14
16.	817-062C	LARGE SPACER TUBE	
17.	122-110D	SMALL SPACER TUBE	

Legend: ● = 1st revision; ● = 2nd revision; ● = 3rd revision; ● = use up existing stock; ⊗ = not interchangeable; ⊗ ① ● = for example: revision 2 is not interchangeable w/revision 1

4" x 12" Double Ribbed Single Press Wheel



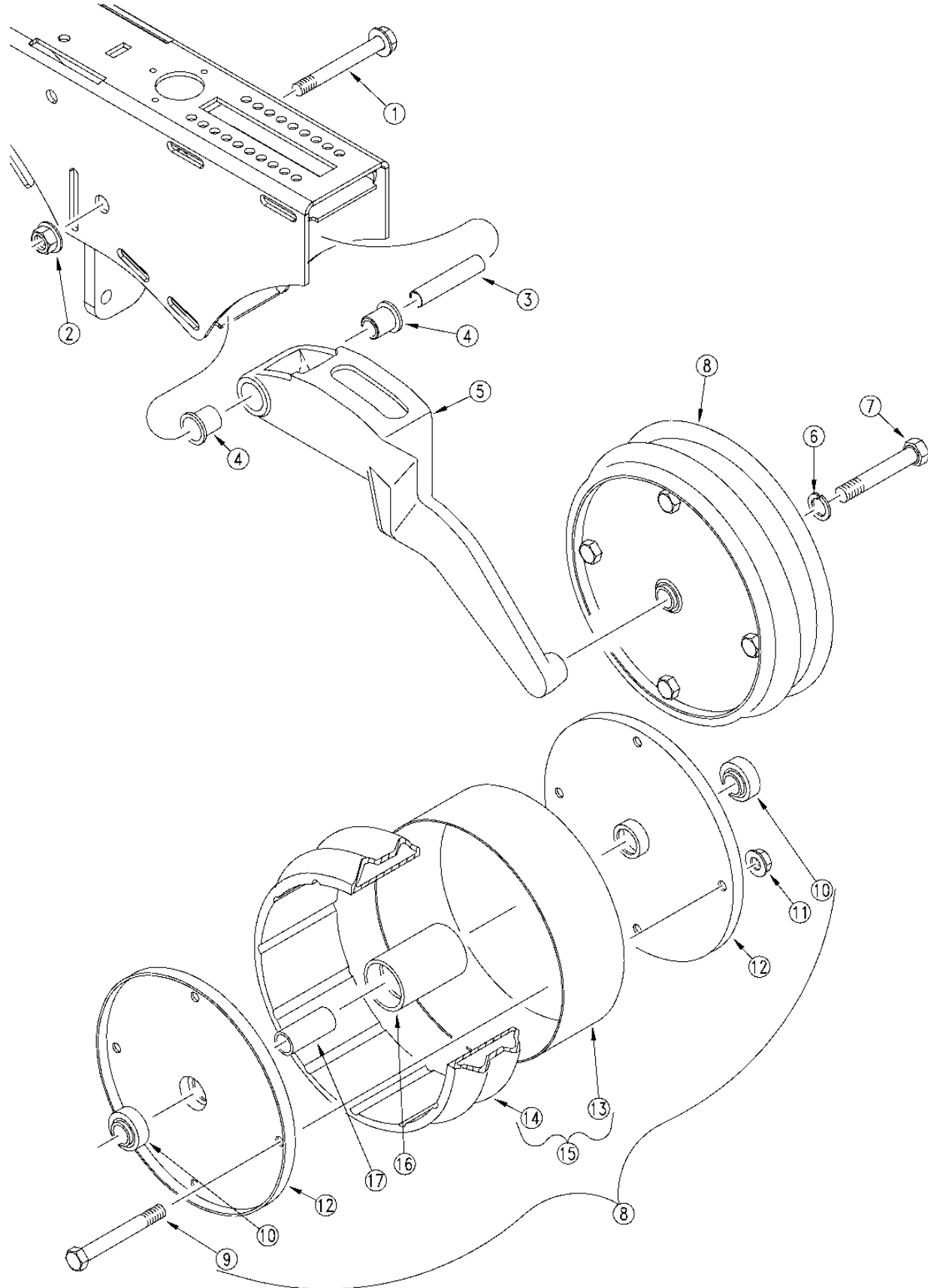
15470

4" x 12" Double Ribbed Single Press Wheel

Ref.	Part No.	Part Description	Comments
1.	802-421C	HFS 1/2-13X3 3/4 GR5 SPTH	
2.	803-169C	NUT HEX FLG. LOCK 1/2-13 PLT.	
3.	198-137D	PRESS WHEEL PIVOT TUBE	
4.	817-084C	PARALLEL ARM PIVOT BUSHING	
5.	199-031D	4 X 12 PRESS WHEEL ARM	
6.	804-022C	WASHER LOCK SPRING 5/8 PLT	
7.	802-151C	HHCS 5/8-11X4 1/4 GR5	
8.	122-103S	4X12 V-GROOVE PRESS WHL ASSY	Includes items 9 through 17
9.	802-119C	HHCS 5/16-18X3 3/4 GR5	
10.	822-095C	BEARING DBL LIP 203 X 5/8 BORE	
11.	803-177C	NUT HEX LOCK 5/16-18 FLG.	
12.	122-041D	4X12 PW RIM HALF	
13.	817-023C	4 X 12 RIM SPACER RING	
14.	814-010C	TIRE PW 4 X 12	
15.	122-197V	4X12 V-GROOVE TIRE & RING ASSY	Includes items 13 and 14
16.	817-022C	4 X 12 LARGE SPREADER TUBE	
17.	122-094D	4X12 SMALL SPREADER TUBE-SHORT	

Legend: ● = 1st revision; ● = 2nd revision; ● = 3rd revision; ● = use up existing stock; ⊗ = not interchangeable; ⊗ ① ● = for example: revision 2 is not interchangeable w/revision 1

HD 4" x 12" Double Ribbed Single Press Wheel



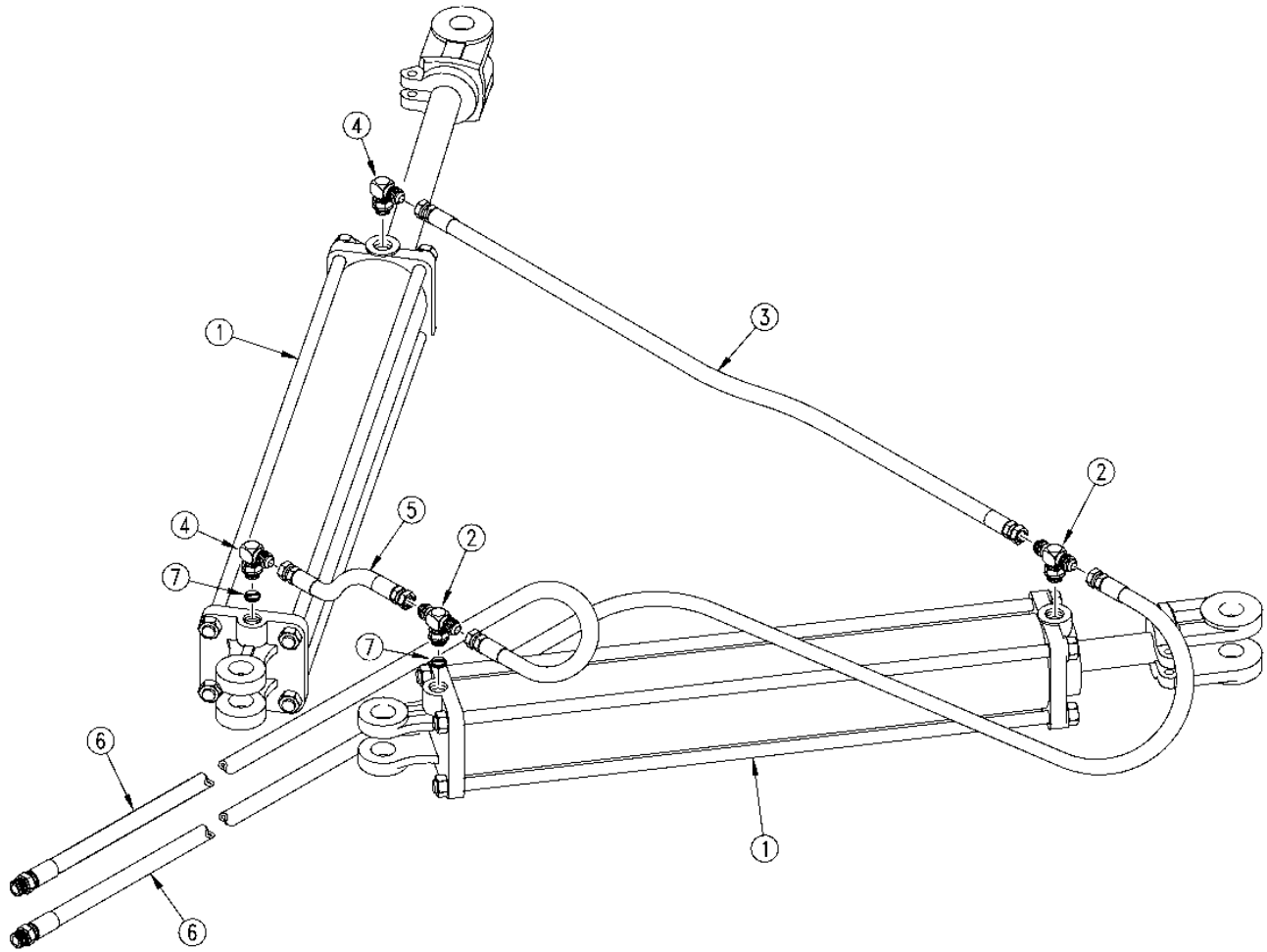
24434

HD 4" x 12" Double Ribbed Single Press Wheel

Ref.	Part No.	Part Description	Comments
1.	802-421C	HFS 1/2-13X3 3/4 GR5 SPTH	
2.	803-169C	NUT HEX FLG. LOCK 1/2-13 PLT.	
3.	198-137D	PRESS WHEEL PIVOT TUBE	
4.	817-084C	PARALLEL ARM PIVOT BUSHING	
5.	202-274D	NG 4X12 PRESS WHEEL ARM	
6.	804-022C	WASHER LOCK SPRING 5/8 PLT	
7.	802-151C	HHCS 5/8-11X4 1/4 GR5	
8.	122-103S	4X12 V-GROOVE PRESS WHL ASSY	
9.	802-119C	HHCS 5/16-18X3 3/4 GR5	
10.	822-095C	BEARING DBL LIP 203 X 5/8 BORE	
11.	803-177C	NUT HEX FLG TOP LK 5/16-18 YLW	
12.	122-041D	4X12 PW RIM HALF	
13.	817-023C	4 X 12 RIM SPACER RING	
14.	814-010C	TIRE PW 4 X 12	
15.	122-197V	4X12 V-GROOVE TIRE & RING ASSY	
16.	817-022C	4 X 12 LARGE SPREADER TUBE	
17.	122-094D	4X12 SMALL SPREADER TUBE-SHORT	

Legend: ● = 1st revision; ● = 2nd revision; ● = 3rd revision; ● = use up existing stock; ⊗ = not interchangeable; ⊗ ① ● = for example: revision 2 is not interchangeable w/revision 1

Fold Hydraulics



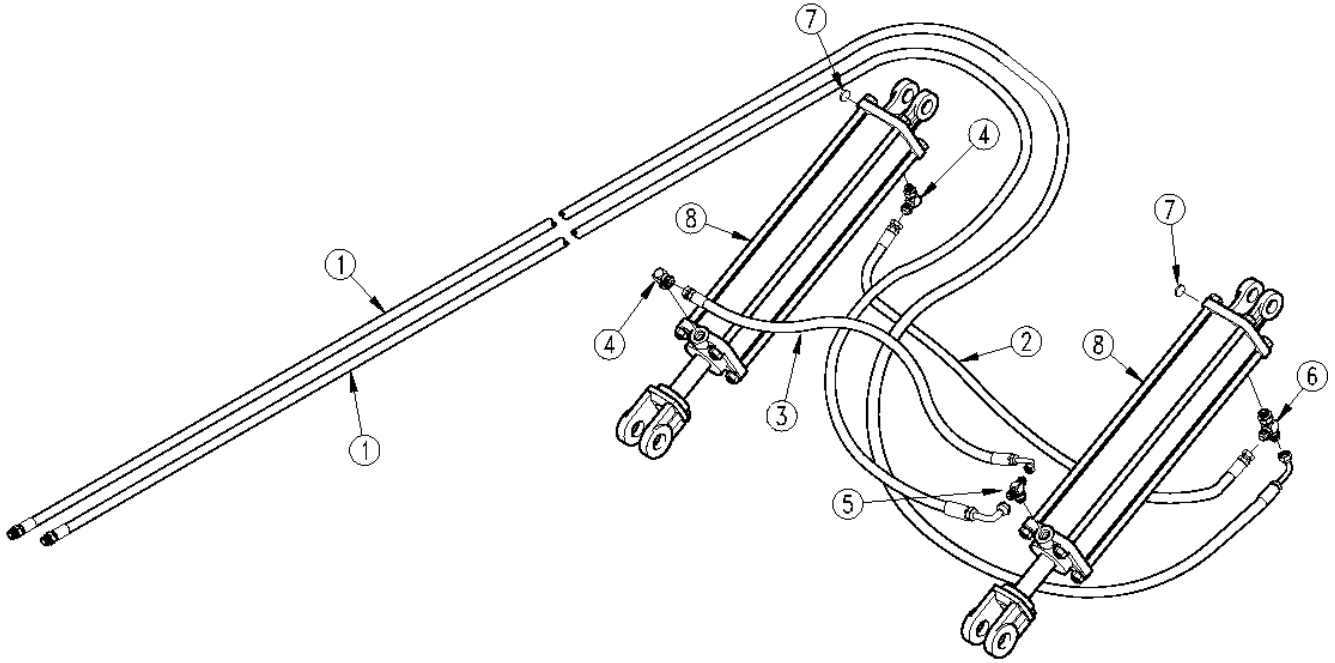
15473

Fold Hydraulics

Ref.	Part No.	Part Description	Comments
1.	810-298C	CYL 3.5X20X1.5 ROD (TIE ROD)	Refer to page 11-17
2.	811-470C	TE 9/16MJIC 3/4MORB 9/16MJIC	
3.	811-574C	HH1/4R1 040 9/16FJIC	
4.	811-171C	EL 3/4MORB 9/16MJIC	
5.	811-140C	HH1/4R1 012 9/16FJIC	
6.	811-183C	HH1/4R1 381 1/2MNPT 9/16FJIC	
7.	811-490C	ORIFICE PLATE 3/32 8 MORB	

Legend: ① = 1st revision; ② = 2nd revision; ③ = 3rd revision; ● = use up existing stock; ⊗ = not interchangeable; ⊗ ① ② = for example: revision 2 is not interchangeable w/revision 1

Transport Axle



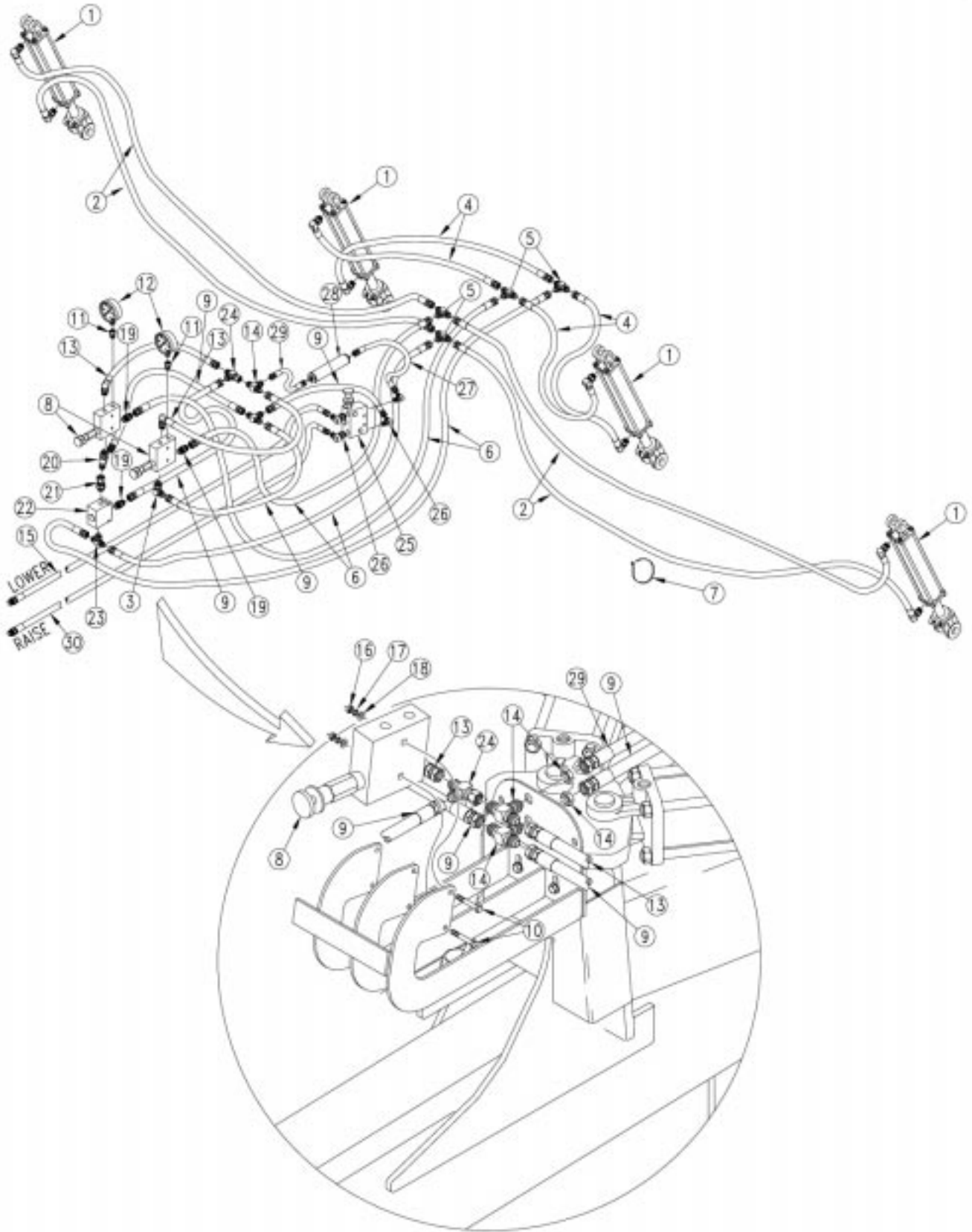
17111

Transport Axle

Ref.	Part No.	Part Description	Comments
1.	811-696C	HH1/4R2 335 1/2MNPT 9/16FJIC90	
2.	811-392C	HH1/4R1 051 9/16FJIC	
3.	811-695C	HH1/4R2 025 9/16FJIC9/16FJIC90	
4.	811-065C	EL 9/16MJIC 9/16MORB	
5.	811-439C	TE 9/16MORB 9/16MJIC 9/16MJIC	
6.	811-064C	TE 9/16MJIC 9/16MJIC 9/16MORB	
7.	811-675C	PL 9/16MORB HEX HEAD	
8.	810-316C	CYL 3.5X12X1.25 ROD (TIE ROD)	Refer to page 11-21

Legend: ① = 1st revision; ② = 2nd revision; ③ = 3rd revision; ● = use up existing stock; ⊗ = not interchangeable; ⊗ ① ② = for example: revision 2 is not interchangeable w/revision 1

Opener Down Pressure Hydraulics (Closed Center) (S/N DD1215-)



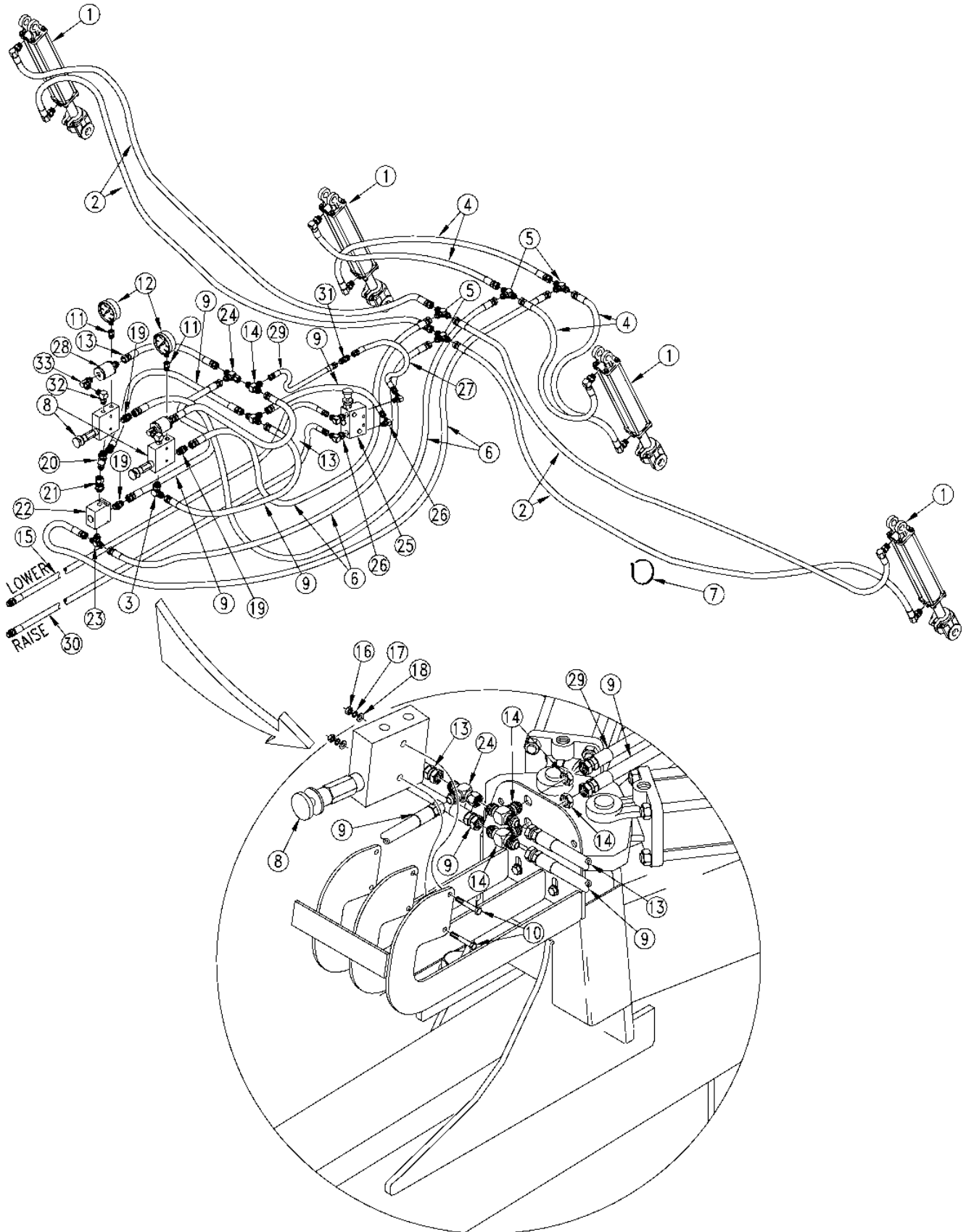
17112

Opener Down Pressure Hydraulics (Closed Center) (S/N DD1215-)

Ref.	Part No.	Part Description	Comments
1.	810-299C	CYL 2X8X1.12 ROD (TIE ROD)	Refer to page 11-19
2.	811-697C	HH1/4R1 200 9/16FJIC9/16MORM90	
3.	811-065C	EL 9/16MJIC 9/16MORB	
4.	811-578C	HH1/4R1 074 9/16FJIC9/16MORM90	
5.	811-312C	TE 9/16MJIC	
6.	811-698C	HH3/8R1 062 9/16FJIC	
7.	800-082C	CABLE TIE .31X21.5 6DIA 120LB	
8.	810-301C	VALVE PRESS REDUCING W/CHECK	Refer to page 11-3
9.	811-631C	HH3/8R1 018 9/16FJIC	
10.	802-551C	HHCS 1/4-20X2 1/4 GR5	
11.	811-677C	AD 9/16MORB 1/4FNPT	
12.	810-300C	PRESSURE GAUGE 3000 PSI	
13.	811-632C	HH3/8R1 021 9/16FJIC9/16MORB90	
14.	811-356C	TE 9/16MJIC BH 9/16MJIC 9/16MJ	
15.	811-585C	HH3/8R1 408 1/2MNPT 9/16FJIC	
16.	803-006C	NUT HEX 1/4-20 PLT	
17.	804-006C	WASHER LOCK SPRING 1/4 PLT	
18.	804-075C	WASHER FLAT 1/4 USS PLT	
19.	811-170C	AD 9/16MORB 9/16MJIC	
20.	811-064C	TE 9/16MJIC 9/16MJIC 9/16MORB	
21.	811-627C	AD 9/16MORB 9/16FJIC	
22.	810-428C	VALVE PO CHECK 4:1 W/9/16FORB	Refer to page 9-11, #30
23.	811-439C	TE 9/16MORB 9/16MJIC 9/16MJIC	
24.	811-061C	TE 9/16MJIC 9/16MJIC 9/16FJIC	
25.	810-432C	HYDRAULIC BYPASS VALVE	
26.	811-171C	EL 3/4MORB 9/16MJIC	
27.	811-118C	HH3/8R1 041 9/16FJIC 3/4FJIC	
28.	810-410C	FILTER INLINE SHOEMAKER #8055	
29.	811-286C	HH3/8R2 020 3/4FJIC 9/16FJIC	
30.	811-796C	HH1/2R1 408 1/2MNPT 9/16FJIC	

Legend: ● = 1st revision; ● = 2nd revision; ● = 3rd revision; ● = use up existing stock; ⊗ = not interchangeable; ⊗ ① ● = for example: revision 2 is not interchangeable w/revision 1

Opener Down Pressure Hydraulics (Closed Center) (S/N DD1216+)



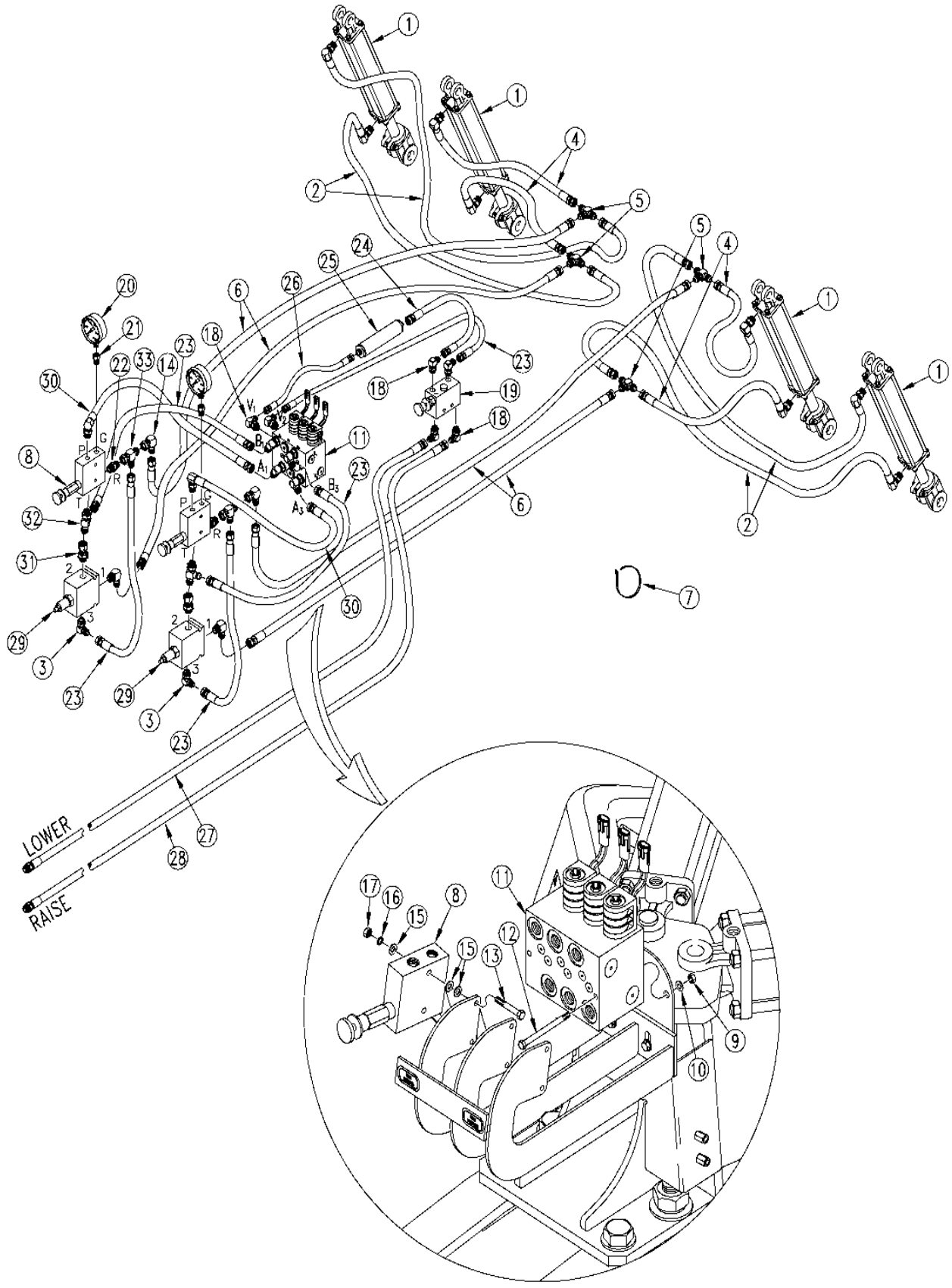
22963

Opener Down Pressure Hydraulics (Closed Center) (S/N DD1216+)

Ref.	Part No.	Part Description	Comments
1.	810-299C	CYL 2X8X1.12 ROD (TIE ROD)	Refer to page 11-19
2.	811-697C	HH1/4R1 200 9/16FJIC9/16MORM90	
3.	811-065C	EL 9/16MJIC 9/16MORB	
4.	811-578C	HH1/4R1 074 9/16FJIC9/16MORM90	
5.	811-312C	TE 9/16MJIC	
6.	811-698C	HH3/8R1 062 9/16FJIC	
7.	800-082C	CABLE TIE .31X21.5 6DIA 120LB	
8.	810-301C	VALVE PRESS REDUCING W/CHECK	Refer to page 11-23
9.	811-631C	HH3/8R1 018 9/16FJIC	
10.	802-551C	HHCS 1/4-20X2 1/4 GR5	
11.	811-677C	AD 9/16MORB 1/4FNPT	
12.	810-300C	PRESSURE GAUGE 3000 PSI	
13.	811-286C	HH3/8R2 020 3/4FJIC 9/16FJIC	
14.	811-356C	TE 9/16MJIC BH 9/16MJIC 9/16MJ	
15.	811-585C	HH3/8R1 408 1/2MNPT 9/16FJIC	
16.	803-006C	NUT HEX 1/4-20 PLT	
17.	804-006C	WASHER LOCK SPRING 1/4 PLT	
18.	804-075C	WASHER FLAT 1/4 USS PLT	
19.	811-170C	AD 9/16MORB 9/16MJIC	
20.	811-064C	TE 9/16MJIC 9/16MJIC 9/16MORB	
21.	811-627C	AD 9/16MORB 9/16FJIC	
22.	810-428C	VALVE PO CHECK 4:1 W/9/16FORB	Refer to page 11-15, #30
23.	811-439C	TE 9/16MORB 9/16MJIC 9/16MJIC	
24.	811-061C	TE 9/16MJIC 9/16MJIC 9/16FJIC	
25.	810-432C	HYDRAULIC BYPASS VALVE	
26.	811-171C	EL 3/4MORB 9/16MJIC	
27.	811-118C	HH3/8R1 041 9/16FJIC 3/4FJIC	
28.	810-554C	FILTER INLINE 3/4FORB 3/4MJIC	For replacement screen order 810-553C
29.	811-286C	HH3/8R2 020 3/4FJIC 9/16FJIC	
30.	811-796C	HH1/2R1 408 1/2MNPT 9/16FJIC	
31.	811-430C	AD 3/4MJIC 3/4MJIC	
32.	811-216C	EL 3/4MJIC 9/16MORB	
33.	841-077C	EL 3/4FJIC 3/4MORB	

Legend: ● = 1st revision; ● = 2nd revision; ● = 3rd revision; ● = use up existing stock; ⊗ = not interchangeable; ⊗ ① ● = for example: revision 2 is not interchangeable w/revision 1

Opener Down Pressure Hydraulics With Point Row (Option) (S/N DD1215-)



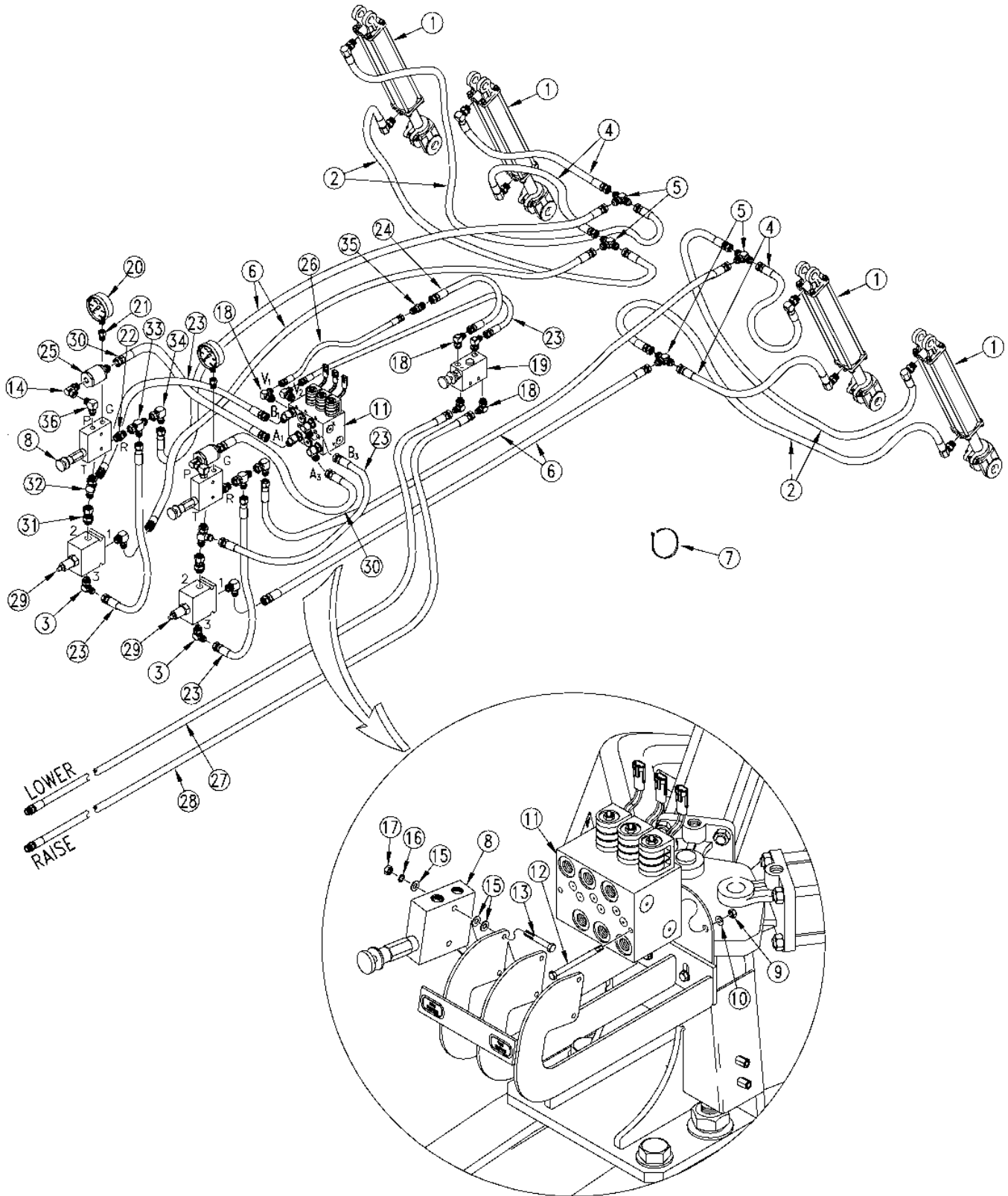
22973

Opener Down Pressure Hydraulics With Point Row (Option) (S/N DD1215-)

Ref.	Part No.	Part Description	Comments
1.	810-299C	CYL 2X8X1.12 ROD (TIE ROD)	Refer to page 11-19
2.	811-697C	HH1/4R1 200 9/16FJIC9/16MORM90	
3.	811-065C	EL 9/16MJIC 9/16MORB	
4.	811-578C	HH1/4R1 074 9/16FJIC9/16MORM90	
5.	811-312C	TE 9/16MJIC	
6.	811-698C	HH3/8R1 062 9/16FJIC	
7.	800-082C	CABLE TIE .31X21.5 6DIA 120LB	
8.	810-301C	VALVE PRESS REDUCING W/CHECK	Refer to page 11-23
9.	803-013C	NUT LOCK 3/8-16 PLT	
10.	804-011C	WASHER FLAT 3/8 USS PLT	
11.	810-371C	MANIFOLD ASY 3S-3000 POINT ROW	
12.	802-026C	HHCS 3/8-16X3 3/4 GR5	
13.	802-551C	HHCS 1/4-20X2 1/4 GR5	
14.	811-169C	EL 9/16MJIC 9/16FJIC	
15.	804-075C	WASHER FLAT 1/4 USS PLT	
16.	804-006C	WASHER LOCK SPRING 1/4 PLT	
17.	803-006C	NUT HEX 1/4-20 PLT	
18.	811-171C	EL 3/4MORB 9/16MJIC	
19.	810-432C	HYDRAULIC BYPASS VALVE	
20.	810-300C	PRESSURE GAUGE 3000 PSI	
21.	811-677C	AD 9/16MORB 1/4FNPT	
22.	811-170C	AD 9/16MORB 9/16MJIC	
23.	811-631C	HH3/8R1 018 9/16FJIC	
24.	811-118C	HH3/8R1 041 9/16FJIC 3/4FJIC	
25.	810-410C	FILTER INLINE SHOEMAKER #8055	
26.	811-286C	HH3/8R2 020 3/4FJIC 9/16FJIC	
27.	811-585C	HH3/8R1 408 1/2MNPT 9/16FJIC	
28.	811-796C	HH1/2R1 408 1/2MNPT 9/16FJIC	
29.	810-428C	VALVE PO CHECK 4:1 W/9/16FORB	Refer to page 11-15, #30
30.	811-632C	HH3/8R1 021 9/16FJIC9/16MORB90	
31.	811-627C	AD 9/16MORB 9/16FJIC	
32.	811-064C	TE 9/16MJIC 9/16MJIC 9/16MORB	
33.	811-061C	TE 9/16MJIC 9/16MJIC 9/16FJIC	

Legend: ● = 1st revision; ● = 2nd revision; ● = 3rd revision; ● = use up existing stock; ⊗ = not interchangeable; ⊗ ① ● = for example: revision 2 is not interchangeable w/revision 1

Opener Down Pressure Hydraulics With Point Row (Option) (S/N DD1216+)



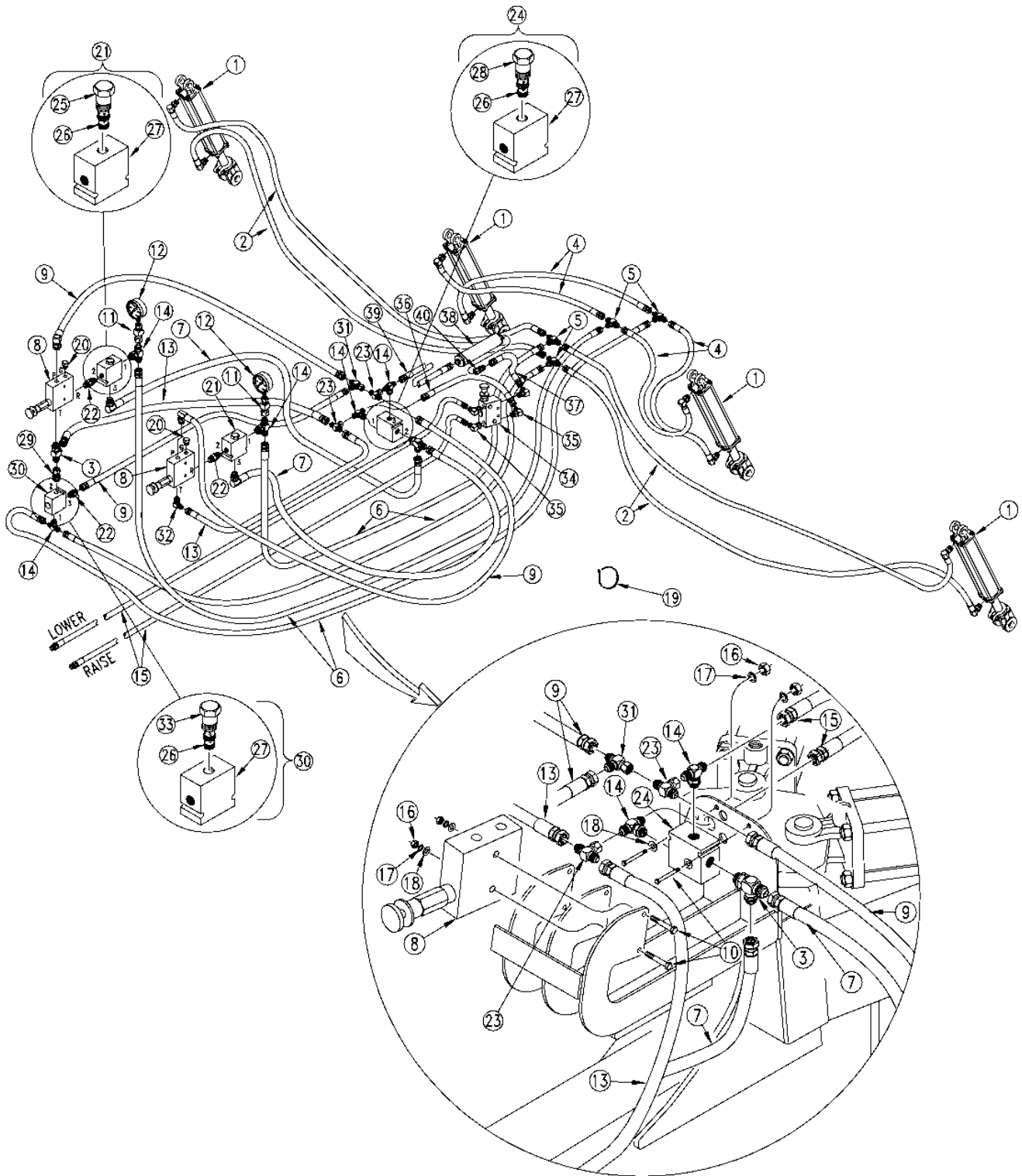
22974

Opener Down Pressure Hydraulics With Point Row (Option) (S/N DD1216+)

Ref.	Part No.	Part Description	Comments
1.	810-299C	CYL 2X8X1.12 ROD (TIE ROD)	Refer to page 11-19
2.	811-697C	HH1/4R1 200 9/16FJIC9/16MORM90	
3.	811-065C	EL 9/16MJIC 9/16MORB	
4.	811-578C	HH1/4R1 074 9/16FJIC9/16MORM90	
5.	811-312C	TE 9/16MJIC	
6.	811-698C	HH3/8R1 062 9/16FJIC	
7.	800-082C	CABLE TIE .31X21.5 6DIA 120LB	
8.	810-301C	VALVE PRESS REDUCING W/CHECK	Refer to page 11-23
9.	803-013C	NUT LOCK 3/8-16 PLT	
10.	804-011C	WASHER FLAT 3/8 USS PLT	
11.	810-371C	MANIFOLD ASY 3S-3000 POINT ROW	
12.	802-026C	HHCS 3/8-16X3 3/4 GR5	
13.	802-551C	HHCS 1/4-20X2 1/4 GR5	
14.	841-077C	EL 3/4FJIC 3/4MORB	
15.	804-075C	WASHER FLAT 1/4 USS PLT	
16.	804-006C	WASHER LOCK SPRING 1/4 PLT	
17.	803-006C	NUT HEX 1/4-20 PLT	
18.	811-171C	EL 3/4MORB 9/16MJIC	
19.	810-432C	HYDRAULIC BYPASS VALVE	
20.	810-300C	PRESSURE GAUGE 3000 PSI	
21.	811-677C	AD 9/16MORB 1/4FNPT	
22.	811-170C	AD 9/16MORB 9/16MJIC	
23.	811-631C	HH3/8R1 018 9/16FJIC	
24.	811-118C	HH3/8R1 041 9/16FJIC 3/4FJIC	
25.	810-554C	FILTER INLINE 3/4FORB 3/4MJIC	For replacement screen order 810-553C
26.	811-286C	HH3/8R2 020 3/4FJIC 9/16FJIC	
27.	811-585C	HH3/8R1 408 1/2MNPT 9/16FJIC	
28.	811-796C	HH1/2R1 408 1/2MNPT 9/16FJIC	
29.	810-428C	VALVE PO CHECK 4:1 W/9/16FORB	Refer to page 11-15, #30
30.	811-286C	HH3/8R2 020 3/4FJIC 9/16FJIC	
31.	811-627C	AD 9/16MORB 9/16FJIC	
32.	811-064C	TE 9/16MJIC 9/16MJIC 9/16MORB	
33.	811-061C	TE 9/16MJIC 9/16MJIC 9/16FJIC	
34.	811-169C	EL 9/16MJIC 9/16FJIC	
35.	811-430C	AD 3/4MJIC 3/4MJIC	
36.	811-216C	EL 3/4MJIC 9/16MORB	

Legend: ● = 1st revision; ● = 2nd revision; ● = 3rd revision; ● = use up existing stock; ⊗ = not interchangeable; ⊗ ① ● = for example: revision 2 is not interchangeable w/revision 1

Opener Down Pressure Hydraulics (Open Center) (S/NDD1215-)



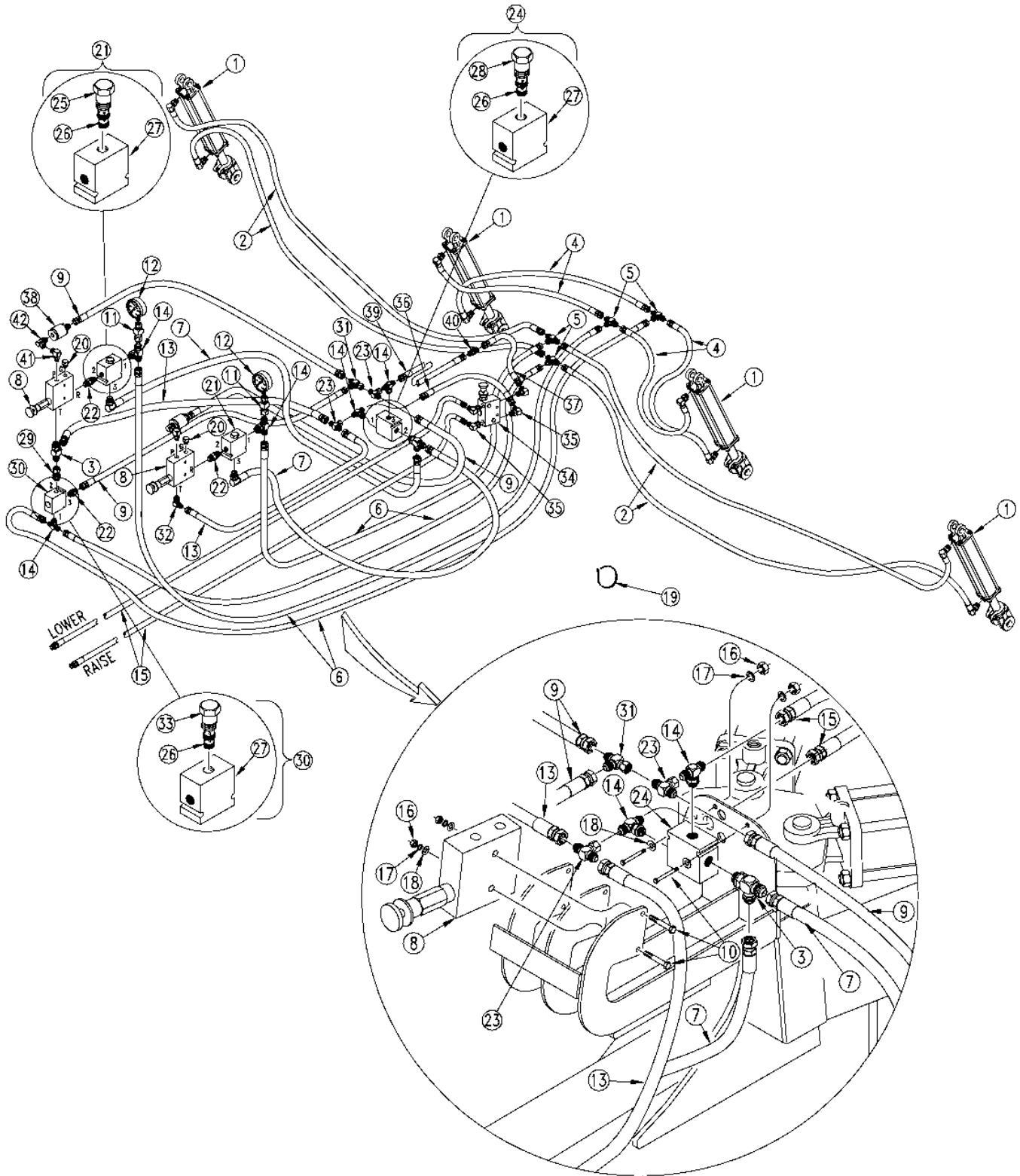
17113

Opener Down Pressure Hydraulics (Open Center) (S/NDD1215-)

Ref.	Part No.	Part Description	Comments
1.	810-299C	CYL 2X8X1.12 ROD (TIE ROD)	Refer to page 11-19
2.	811-697C	HH1/4R1 200 9/16FJIC9/16MORM90	
3.	811-064C	TE 9/16MJIC 9/16MJIC 9/16MORB	
4.	811-578C	HH1/4R1 074 9/16FJIC9/16MORM90	
5.	811-312C	TE 9/16MJIC	
6.	811-698C	HH3/8R1 062 9/16FJIC	
7.	811-531C	HH1/4R2 018 9/16FJIC9/16MORB90	
8.	810-301C	VALVE PRESS REDUCING W/CHECK	Refer to page 11-23
9.	811-632C	HH3/8R1 021 9/16FJIC9/16MORB90	
10.	802-551C	HHCS 1/4-20X2 1/4 GR5	
11.	811-582C	AD 9/16FJIC 1/4FNPT	
12.	810-300C	PRESSURE GAUGE 3000 PSI	
13.	811-631C	HH3/8R1 018 9/16FJIC	
14.	811-439C	TE 9/16MORB 9/16MJIC 9/16MJIC	
15.	811-585C	HH3/8R1 408 1/2MNPT 9/16FJIC	
16.	803-006C	NUT HEX 1/4-20 PLT	
17.	804-006C	WASHER LOCK SPRING 1/4 PLT	
18.	804-075C	WASHER FLAT 1/4 USS PLT	
19.	800-082C	CABLE TIE .31X21.5 6DIA 120LB	
20.	811-675C	PL 9/16MORB HEX HEAD	
21.	810-343C	VALVE PO CHECK 2:1 W/9/16FORB	
22.	811-636C	AD 9/16MORB STRAIGHT UNION	
23.	811-193C	TE 9/16FJIC 9/16MJIC 9/16MJIC	
24.	810-344C	VALVE SHUTTLE 9/16FORB PORTS	
25.	810-293C	VALVE P O CHECK DELTA 85002692	
26.	810-303C	SEAL KIT 7/8-14 DELTA 21170040	
27.	30102360	DELTA BODY ONLY FS#6 SAE PORTS	
28.	85002946	DELTA SHUTTLE VALVE CARTRIDGE	
29.	811-627C	AD 9/16MORB 9/16FJIC	
30.	810-428C	VALVE PO CHECK 4:1 W/9/16FORB	
31.	811-061C	TE 9/16MJIC 9/16MJIC 9/16FJIC	
32.	811-065C	EL 9/16MJIC 9/16MORB	
33.	810-429C	VALVE CTRG PO CK DELT 85002657	
34.	810-432C	HYDRAULIC BYPASS VALVE	
35.	811-171C	EL 3/4MORB 9/16MJIC	
36.	811-631C	HH3/8R1 018 9/16FJIC	
37.	811-118C	HH3/8R1 041 9/16FJIC 3/4FJIC	
38.	810-410C	FILTER INLINE SHOEMAKER #8055	
39.	811-286C	HH3/8R2 020 3/4FJIC 9/16FJIC	
40.	811-146C	AD 3/4FJIC 9/16MJIC	

Legend: ● = 1st revision; ● = 2nd revision; ● = 3rd revision; ● = use up existing stock; ⊗ = not interchangeable; ⊗ ① ● = for example: revision 2 is not interchangeable w/revision 1

Opener Down Pressure Hydraulics (Open Center) (S/N1216+)



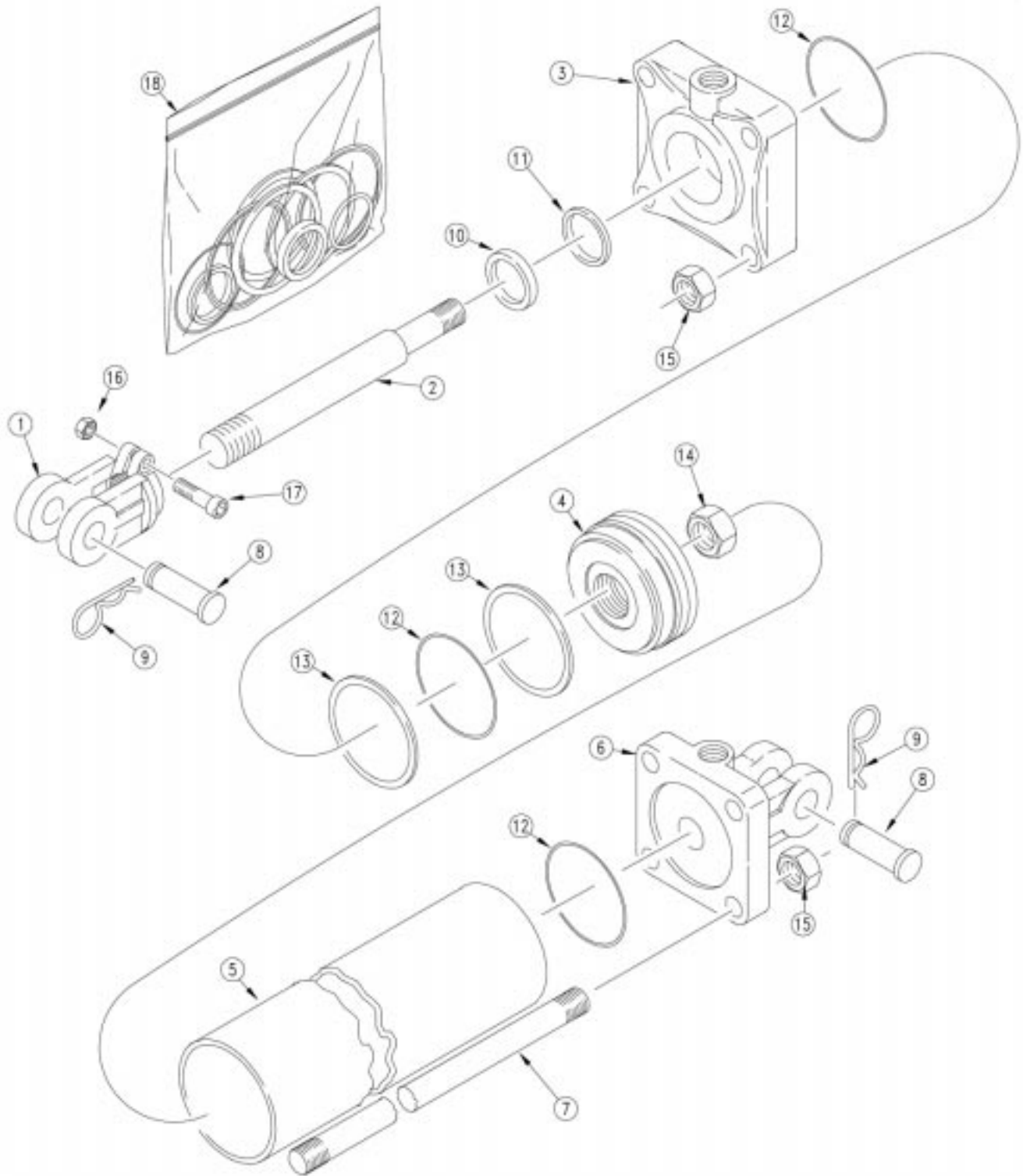
22964

Opener Down Pressure Hydraulics (Open Center) (S/N1216+)

Ref.	Part No.	Part Description	Comments
1.	810-299C	CYL 2X8X1.12 ROD (TIE ROD)	Refer to page 11-19
2.	811-697C	HH1/4R1 200 9/16FJIC9/16MORM90	
3.	811-064C	TE 9/16MJIC 9/16MJIC 9/16MORB	
4.	811-578C	HH1/4R1 074 9/16FJIC9/16MORM90	
5.	811-312C	TE 9/16MJIC	
6.	811-698C	HH3/8R1 062 9/16FJIC	
7.	811-531C	HH1/4R2 018 9/16FJIC9/16MORB90	
8.	810-301C	VALVE PRESS REDUCING W/CHECK	Refer to page 11-23
9.	811-286C	HH3/8R2 020 3/4FJIC 9/16FJIC	
10.	802-551C	HHCS 1/4-20X2 1/4 GR5	
11.	811-582C	AD 9/16FJIC 1/4FNPT	
12.	810-300C	PRESSURE GAUGE 3000 PSI	
13.	811-631C	HH3/8R1 018 9/16FJIC	
14.	811-439C	TE 9/16MORB 9/16MJIC 9/16MJIC	
15.	811-585C	HH3/8R1 408 1/2MNPT 9/16FJIC	
16.	803-006C	NUT HEX 1/4-20 PLT	
17.	804-006C	WASHER LOCK SPRING 1/4 PLT	
18.	804-075C	WASHER FLAT 1/4 USS PLT	
19.	800-082C	CABLE TIE .31X21.5 6DIA 120LB	
20.	811-675C	PL 9/16MORB HEX HEAD	
21.	810-343C	VALVE PO CHECK 2:1 W/9/16FORB	
22.	811-636C	AD 9/16MORB STRAIGHT UNION	
23.	811-193C	TE 9/16FJIC 9/16MJIC 9/16MJIC	
24.	810-344C	VALVE SHUTTLE 9/16FORB PORTS	
25.	810-293C	VALVE P O CHECK DELTA 85002692	
26.	810-303C	SEAL KIT 7/8-14 DELTA 21170040	
27.	30102360	DELTA BODY ONLY FS#6 SAE PORTS	
28.	85002946	DELTA SHUTTLE VALVE CARTRIDGE	
29.	811-627C	AD 9/16MORB 9/16FJIC	
30.	810-428C	VALVE PO CHECK 4:1 W/9/16FORB	
31.	811-061C	TE 9/16MJIC 9/16MJIC 9/16FJIC	
32.	811-065C	EL 9/16MJIC 9/16MORB	
33.	810-429C	VALVE CTRG PO CK DELT 85002657	
34.	810-432C	HYDRAULIC BYPASS VALVE	
35.	811-171C	EL 3/4MORB 9/16MJIC	
36.	811-631C	HH3/8R1 018 9/16FJIC	
37.	811-118C	HH3/8R1 041 9/16FJIC 3/4FJIC	
38.	810-554C	FILTER INLINE 3/4FORB 3/4MJIC	For replacement screen order 810-553C
39.	811-286C	HH3/8R2 020 3/4FJIC 9/16FJIC	
40.	811-430C	AD 3/4MJIC 3/4MJIC	
41.	811-216C	EL 3/4MJIC 9/16MORB	
42.	841-077C	EL 3/4FJIC 3/4MORB	

Legend: ● = 1st revision; ● = 2nd revision; ● = 3rd revision; ● = use up existing stock; ⊗ = not interchangeable; ⊗ ⊕ ● = for example: revision 2 is not interchangeable w/revision 1

Toolbar Fold Midway Hydraulic Cylinder 3.5 x 20 x 1.5 (810-298C)



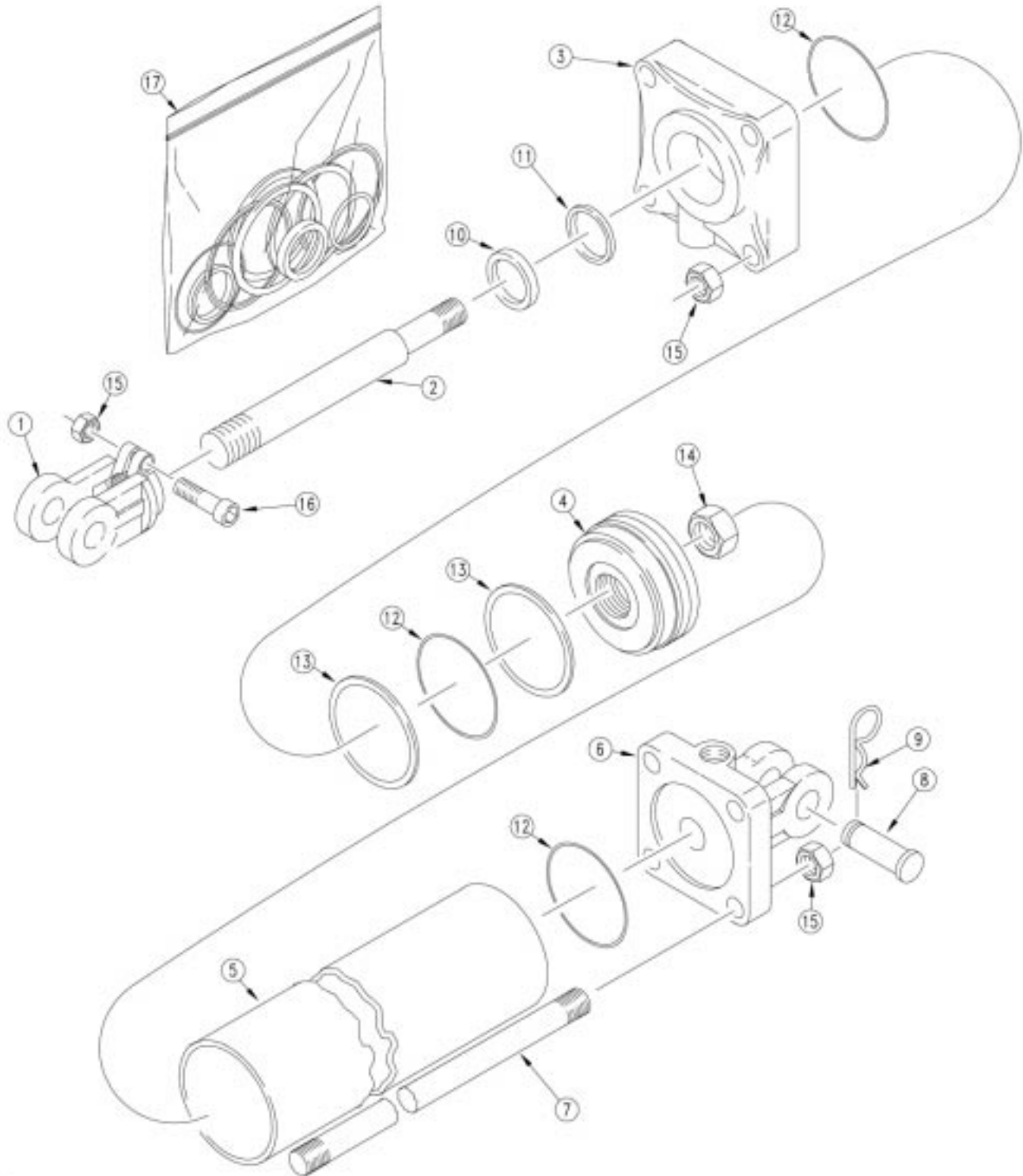
15702

Toolbar Fold Midway Hydraulic Cylinder 3.5 x 20 x 1.5 (810-298C)

Ref.	Part No.	Part Description	Comments
1.	1M7016	CLEVIS ROD MIDWAY	
2.	2M5530	MW ROD	
3.	3R3512	MW HEAD	
4.	4M5102	MW PISTON 3 1/2 DIA.	
5.	5M5128	MW TUBE	
6.	6R3162	MW CLEVIS BASE	
7.	7M5328	TIE ROD	
8.	2A0208	MW CLEVIS PIN	
9.	2A0132	MW PIN CLIP	
10.		MW WIPER	Only found in seal kit 18
11.		MW U-CLIP	Only found in seal kit 18
12.		MW O-RING	Only found in seal kit 18
13.		MW BACKUP	Only found in seal kit 18
14.	2A0024	MW PISTON NUT 1-14	
15.	2A0016	MW TIE ROD NUT	
16.	2A0012	MW NUT CLEVIS & TIE ROD	
17.	2A0006	MW CAPSCREW	
18.	810-059C	CYL SEAL KIT-810-030C-3A5104	

Legend: ● = 1st revision; ● = 2nd revision; ● = 3rd revision; ● = use up existing stock; ⊗ = not interchangeable; ⊗ ① ● = for example: revision 2 is not interchangeable w/revision 1

Opener Lift Midway Hydraulic Cylinder 2 x 8 x 1.12 (810-299C)



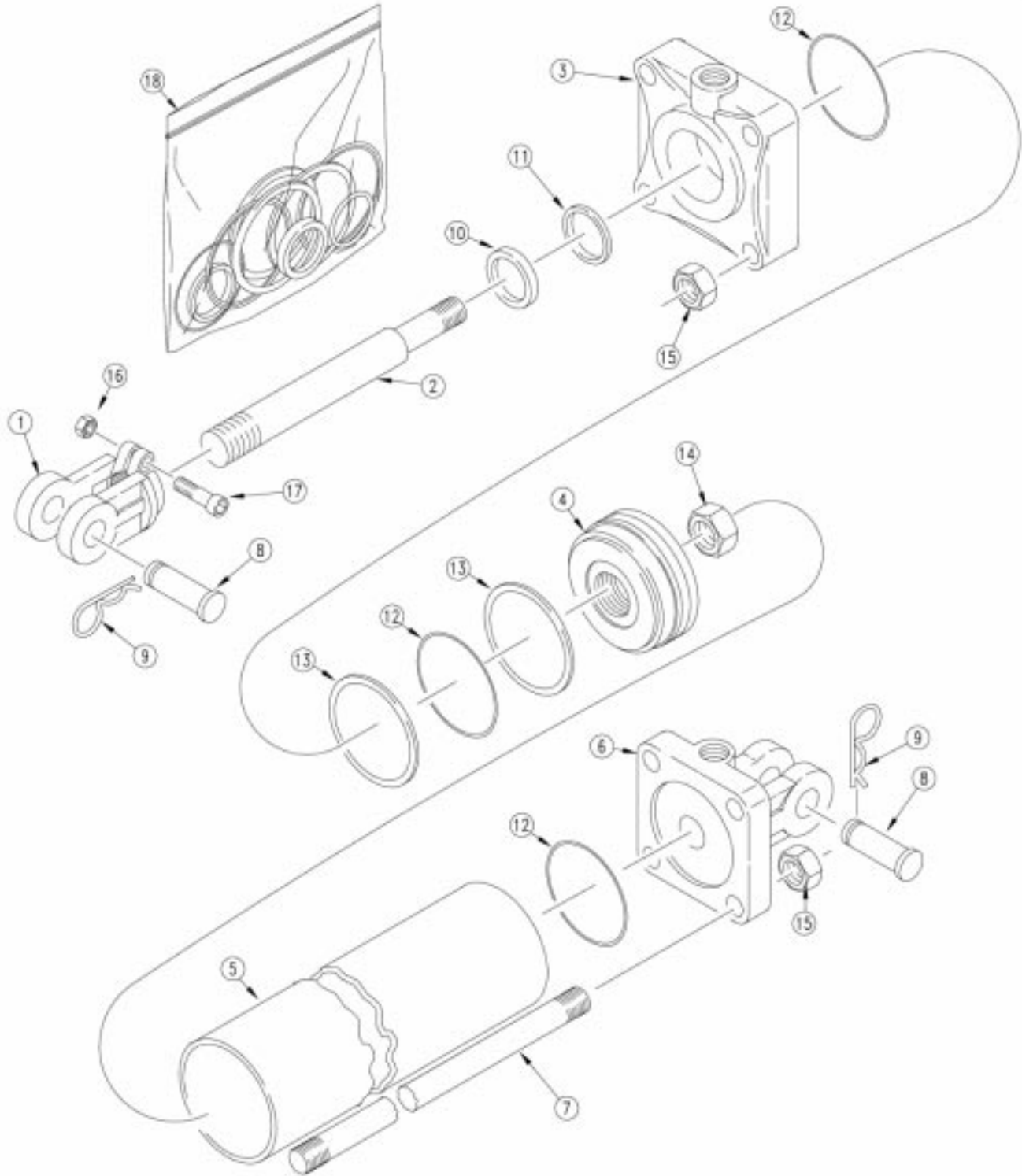
15705

Opener Lift Midway Hydraulic Cylinder 2 x 8 x 1.12 (810-299C)

Ref.	Part No.	Part Description	Comments
1.	1M6006	MW ROD CLEVIS	
2.	2M2316	MW ROD	
3.	3R0122	MW HEAD	
4.	4M2102	MW PISTON	
5.	5M2116	MW TUBE	
6.	6R0032	MW BASE	
7.	7M2316	MW TIE ROD	
8.	2A0208	MW CLEVIS PIN	
9.	2A0132	MW PIN CLIP	
10.		MW WIPER	Only found in seal kit #17
11.		MW U-CUP	Only found in seal kit #17
12.		MW O-RING	Only found in seal kit #17
13.		MW BACKUP	Only found in seal kit #17
14.	2A0022	MW NUT, PISTON	
15.	2A0012	MW NUT CLEVIS & TIE ROD	
16.	2A0006	MW CAPSCREW	
17.	810-310C	SEAL KIT MW 3A2104	

Legend: ● = 1st revision; ● = 2nd revision; ● = 3rd revision; ● = use up existing stock; ⊗ = not interchangeable; ⊗ ① ● = for example: revision 2 is not interchangeable w/revision 1

Transport Axle Midway Hydraulics Cylinder 3.5 x 12 x 1.25 (810-316C)



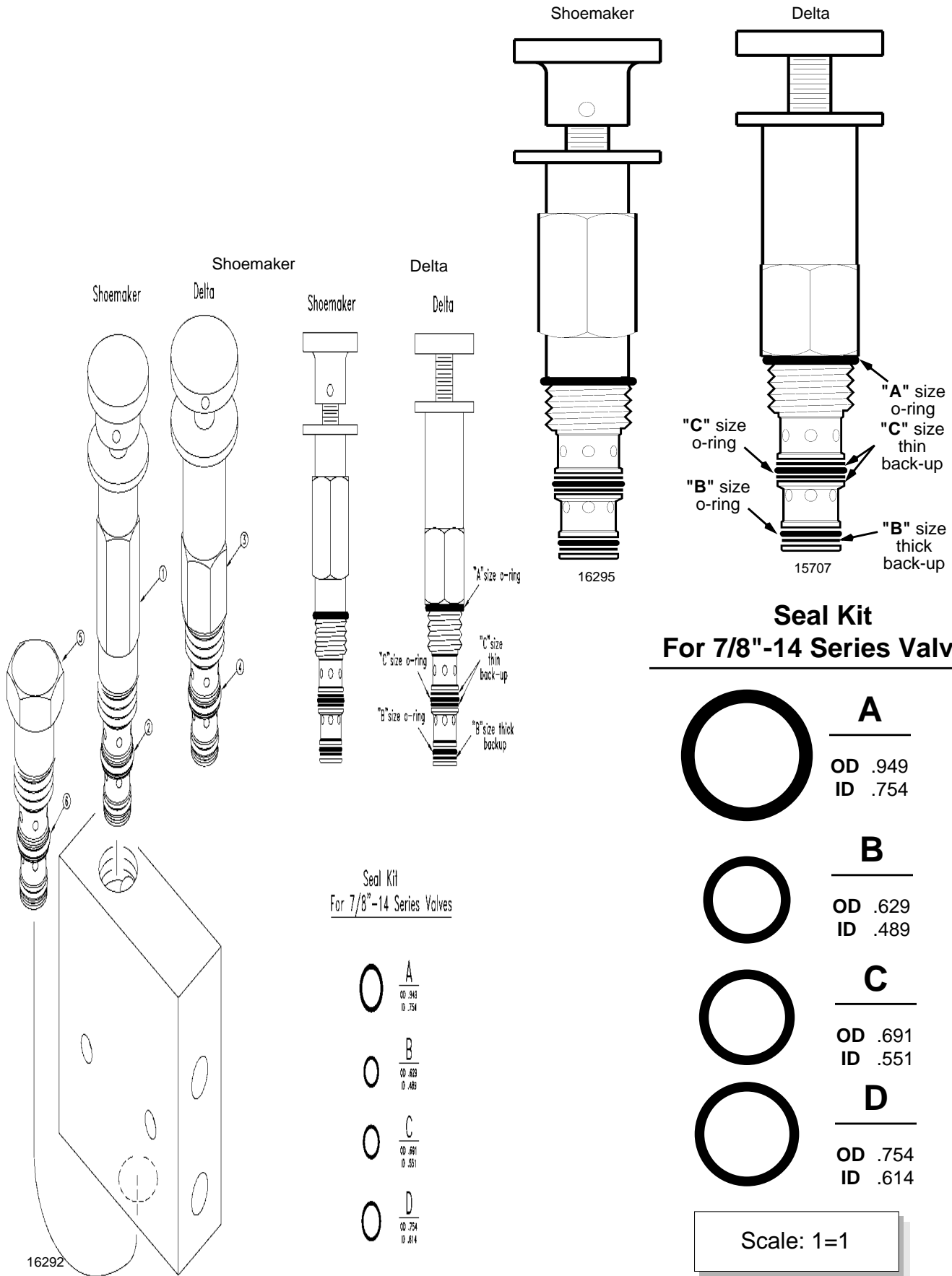
15702

Transport Axle Midway Hydraulics Cylinder 3.5 x 12 x 1.25 (810-316C)

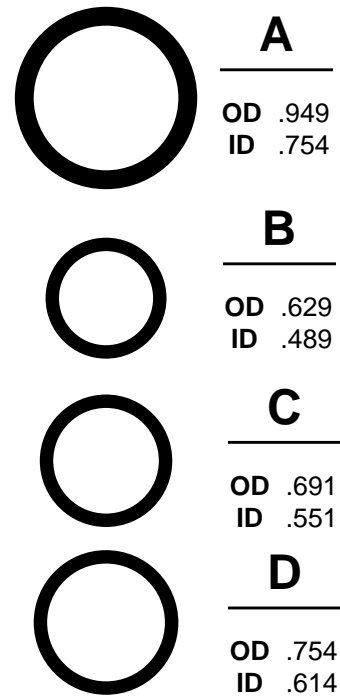
Ref.	Part No.	Part Description	Comments
1.	1M7016	CLEVIS ROD MIDWAY	
2.	2M5420	MW ROD	
3.	3M5410	MW HEAD 3-1/2X1-1/4ROD 9/16SAE	
4.	4M5102	MW PISTON 3 1/2 DIA.	
5.	5M5120	MW TUBE	
6.	6R3150	MW BASE	
7.	7M5320	TIE ROD MIDWAY	
8.	2A0208	MW CLEVIS PIN	
9.	2A0132	MW PIN CLIP	
10.		MW WIPER	Only found in seal kit 18
11.		MW U-CUP	Only found in seal kit 18
12.		MW O-RING	Only found in seal kit 18
13.		MW BACK UP	Only found in seal kit 18
14.	2A0024	MW PISTON NUT 1-14	
15.	2A0016	MW TIE ROD NUT	
16.	2A0012	MW NUT CLEVIS & TIE ROD	
17.	2A0006	MW CAPSCREW	
18.	810-149C	SEAL KIT 810-104C MW 3A5102	

Legend: ● = 1st revision; ● = 2nd revision; ● = 3rd revision; ● = use up existing stock; ⊗ = not interchangeable; ⊗ ① ● = for example: revision 2 is not interchangeable w/revision 1

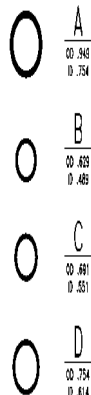
Pressure Reducing Valve (810-301C)



**Seal Kit
For 7/8"-14 Series Valves**



Seal Kit
For 7/8"-14 Series Valves



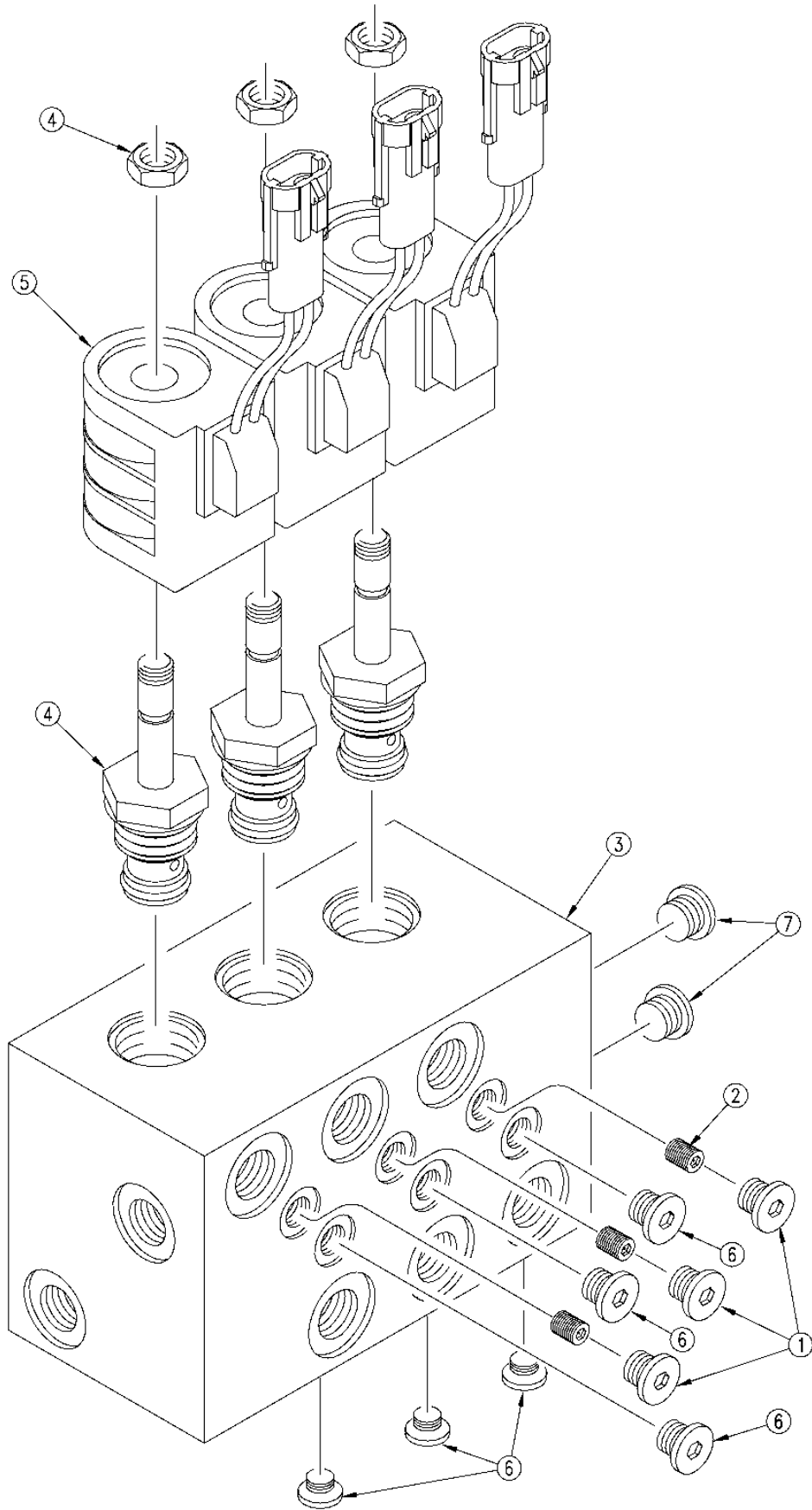
Scale: 1=1

Pressure Reducing Valve (810-301C)

Ref.	Part No.	Part Description	Comments
1.	PRPIL-10-K-25	CARTRIDGE PRESS RED SHOEMAKER	
2.	5075	SEAL KIT PRESS RED V SHOEMAKER	
3.	85020040	DELTA CARTRIDGE ONLY WITH KNOB	
4.	810-303C	SEAL KIT 7/8-14 DELTA 21170040	See chart for sizes
5.	CP2-10	CARTRIDGE CHECK SHOEMAKER	
6.	5070	SEAL KIT CHECK VALVE SHOEMAKER	
	810-303C	For 7/8"-14 Series Valves Includes:	2 Each of the thin Back-Up Rings, sizes B, C, and D 1 Each of the thick Back-Up Rings, sizes C and D. 2 Each of the thick Back-Up Rings size B. 1 Each of O-Rings sizes A, B, C, and D.

Legend: ● = 1st revision; ● = 2nd revision; ● = 3rd revision; ● = use up existing stock; ⊗ = not interchangeable; ⊗ ① ● = for example: revision 2 is not interchangeable w/revision 1

Manifold Block (810-371C)



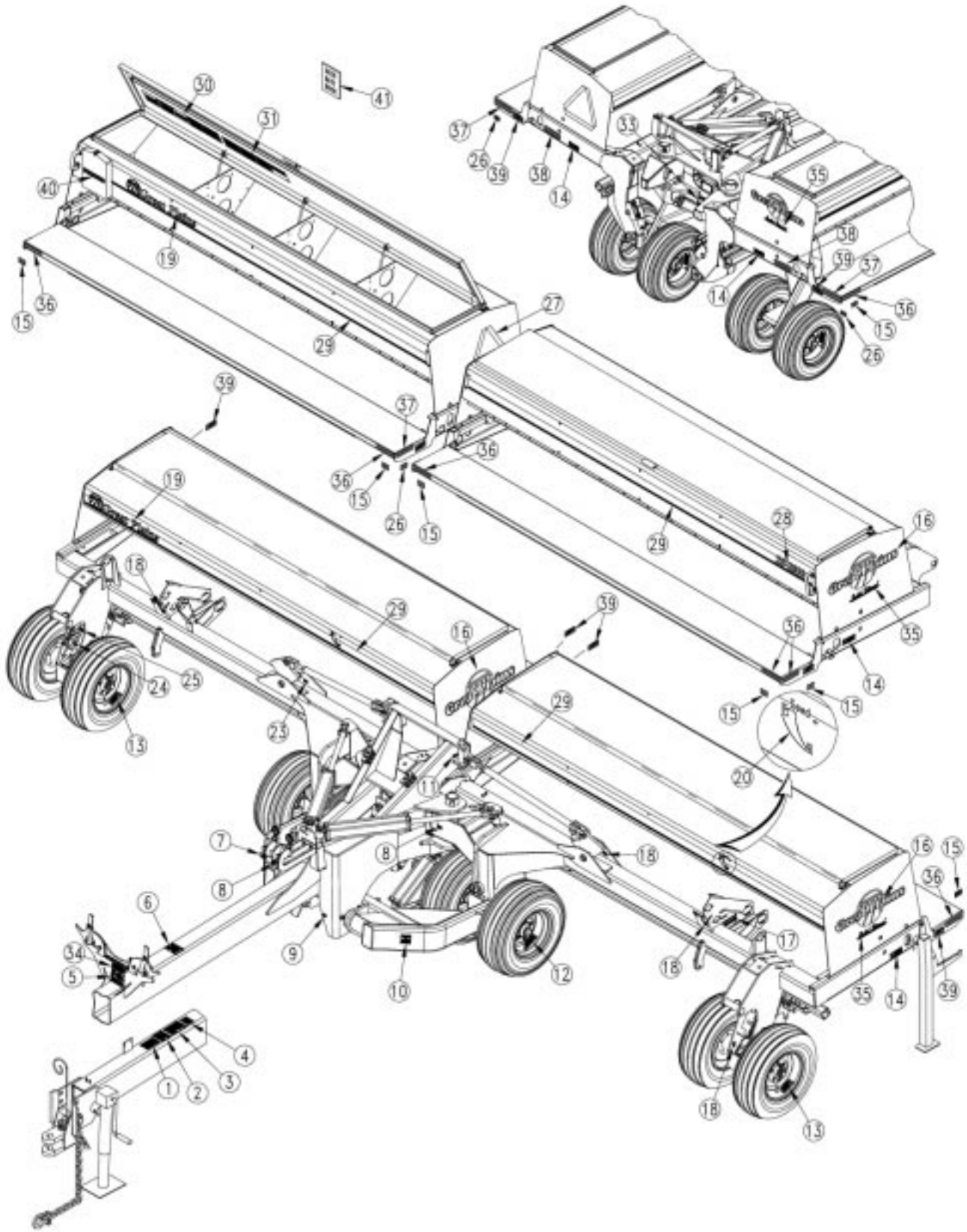
17027

Manifold Block (810-371C)

Ref.	Part No.	Part Description	Comments
1.	61010016	#4 SAE PLUG	
2.	61010039	.078 ORIFICE PLUG	
3.	30102754	MANIFOLD	
4.	85002333	4W2P VALVE DG-S4D-00	
5.	39680008	DELTA COIL 12VDC W CONN	
6.	61011003	#4 SAE PLUG ZL	
7.	811-203C 500-090B	PL 3/4MORB HOLLOW HEX SEAL KIT 7/8-14 DELTA W/ LTITE	

Legend: ① = 1st revision; ② = 2nd revision; ③ = 3rd revision; ● = use up existing stock; ⊗ = not interchangeable; ⊗ ① ② = for example: revision 2 is not interchangeable w/revision 1

Decal Placement



17250

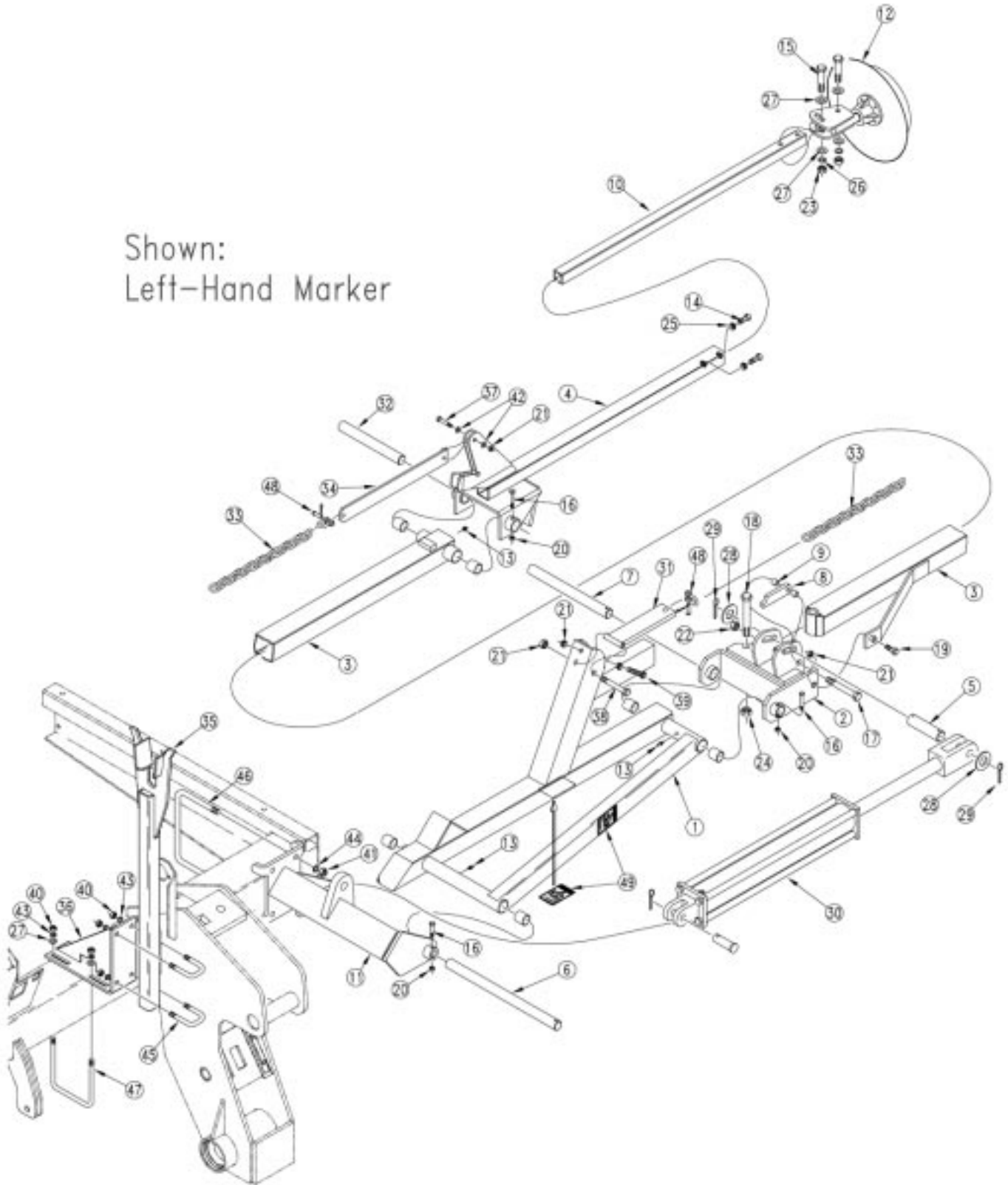
Decal Placement

Ref.	Part No.	Part Description	Comments
1.	818-339C	DECAL WARNING HIGH PRESSUR SML	
2.	818-019C	DECAL WARNING NEG TONGUE WT	
3.	818-078C	DECAL CAUTION FP-HC-MF-24&30	
4.	818-337C	DECAL WARNING 20 MPH TRANS SML	
5.	818-871C	DECAL 2S-2600 FOLD LATCH	
6.	818-045C	DECAL WARNING PINCH PT/CRUSH	
7.	818-664C	DECAL CENTER SECTION	
8.	818-710C	DECAL WING SECTIONS	
9.	818-400C	DECAL GREASE 50 HRS LH	
10.	818-398C	DECAL CAUTION TIRES NOT A STEP	
11.	818-401C	DECAL GREASE 50 HRS RH	
12.	818-752C	DECAL CAUTION TIRE 52 PSI	
13.	818-751C	DECAL CAUTION TIRE 32 PSI	
14.	818-864C	DECAL DANGER CRUSHING HAZARD	
15.	818-229C	DECAL AMBER REFLECTOR	2000 and below.
16.	Ⓣ 838-229C	DECAL GREAT PLAINS ON LOGO LRG	2000 and above.
	Ⓛ 818-598C	DECAL GP LOGO - LARGE	1999 and below.
17.	818-708C	DECAL DRIVE TYPE&CHAIN ROUTING	
18.	818-349C	DECAL GREASE 10 HRS LH	
19.	Ⓣ 838-161C	DECAL LOGO&GP F/STRIPE 4 X 24	2000 and above.
	Ⓛ 818-412C	DECAL GREAT PLAINS W/ LOGO	1999 and below.
20.	Ⓣ 838-237C	DECAL SEED LEVEL LH	2000 and above.
	Ⓛ 818-392C	DECAL SEED LEVEL, NOTCHED	1999 and below.
21.	818-296C	DECAL LETTER F	Not available. Order item 20.
22.	818-295C	DECAL LETTER E	Not available. Order item 20.
23.	818-402C	DECAL GREASE 10 HRS RH	
24.	818-258C	DECAL TRANSPORT LOCK FIELD	
25.	818-257C	DECAL TRANSPORT LOCK ROAD	
26.	818-230C	DECAL RED REFLECTOR	2000 and below.
27.	818-003C	DECAL SLOW MOVING VEHICLE	
28.	Ⓣ 838-197C	DECAL 2S-2600	2000 and above.
	Ⓛ 818-863C	DECAL SOLID STAND 2600-2S	1999 and below.
29.	Ⓣ 838-160C	DECAL 3 COLOR STRIPE 2.50 WIDE	2000 and above.
	Ⓛ 818-414C	DECAL W/ 4 COLOR STRIPE	1999 and below.
30.	818-370C	DECAL 3PT,2&3SEC SEEDRATE 2OF2	2003 and below.
31.	818-371C	DECAL 3PT FERT RATE (METRIC)	2003 and below.
32.	818-415C	DECAL GP W/ LOGO AND STRIPE	
33.	818-861C	DECAL TRANSPORT LOCK WARNING	
34.	818-884C	DECAL IMPORTANT FOLD INST.2600	
35.	838-169C	DECAL SCRIPT SOLID STAND LARGE	2000 and above.
36.	838-265C	DECAL REFLECTOR AMBER 1 1/2X9	2001 and above.
37.	838-266C	DECAL REFLECTOR RED 1 1/2X9	2001 and above.
38.	838-267C	DECAL REFLECTR DAYTIME 1 1/2X9	2001 and above.
39.	838-102C	DECAL DANGER FALLING HAZZARD	
40.	838-482C	DECAL GP PLANTING COMPONENTS	
41.	195-200B	2600 SEEDRATE BOOK	2004 and above

Legend: Ⓛ = 1st revision; Ⓣ = 2nd revision; Ⓛ = 3rd revision; ● = use up existing stock; ⊗ = not interchangeable; ⊗ Ⓛ = for example: revision 2 is not interchangeable w/revision 1

Flat Fold Marker

Shown:
Left-Hand Marker



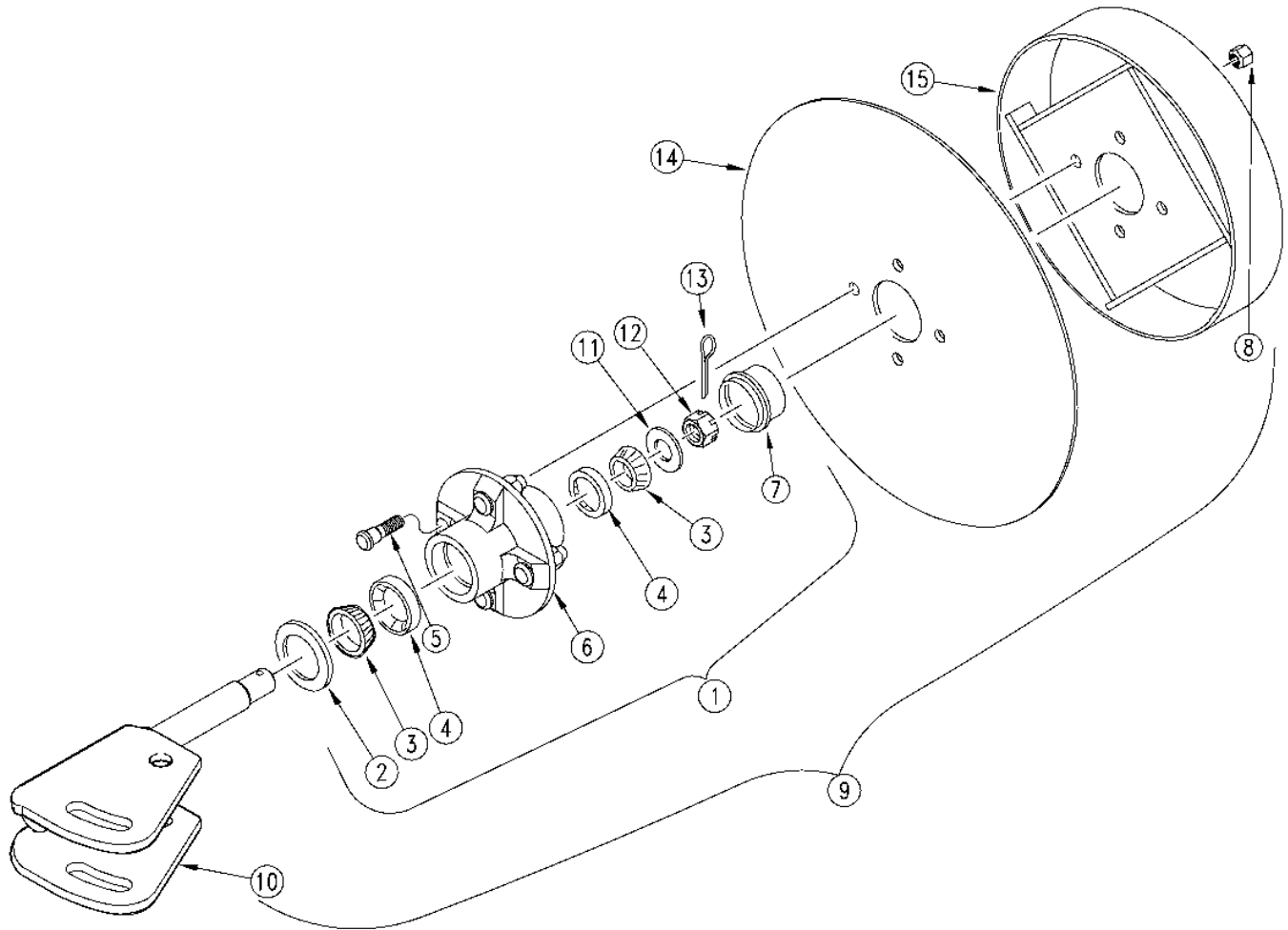
15482

Flat Fold Marker

Ref.	Part No.	Part Description	Comments
1.	113-180H	LH FIRST SECTION	Shown
	113-188H	RH FIRST SECTION	
2.	113-181H	LIFT LUG CHANNEL LH	Shown
	113-189H	LIFT LUG CHANNEL RH	
3.	113-182H	LH SECOND SECTION	Shown
	113-190H	RH 2ND SECTION	
4.	113-183H	30' F.F. MKR. 3RD. SECTION	
5.	113-248D	MARKER CYLINDER PIN BODY	
6.	113-312D	FIRST PIVOT SHAFT	
7.	113-313D	SECOND PIVOT SHAFT	
8.	113-324D	CYLINDER STOP	
9.	113-325D	STOP BUSHING	
10.	113-351D	MARKER TUBE 42 LG	
11.	113-558H	MARKER, L.H. MOUNT 96	Shown
	113-559H	MARKER, R.H. MOUNT 96	
12.	113-563S	MARKER DISC & HUB ASSEMBLY	Refer to page 13-3 for breakdown.
13.	800-001C	GREASE ZERK STRAIGHT 1/4-28	
14.	801-054C	SCREW SET SQ HD. 1/2-13X1 GR5	
15.	802-039C	HHCS 1/2-13X3 GR5	
16.	802-115C	HHCS 5/16-18X2 GR5	
17.	802-249C	HHCS 1/2-13X4 1/2 GR5 SPTH	
18.	802-254C	HHCS 5/8-11X5 1/2 GR5	
19.	802-266C	HHCS 3/8-16X2 GR2	
20.	803-011C	NUT LOCK 5/16-18 PLT	
21.	803-013C	NUT LOCK 3/8-16 PLT	
22.	803-019C	NUT LOCK 1/2-13 PLT	
23.	803-020C	NUT HEX 1/2-13 PLT	
24.	803-024C	NUT LOCK 5/8-11 PLT	
25.	803-036C	NUT HEX JAM 1/2-13 PLT	
26.	804-015C	WASHER LOCK SPRING 1/2 PLT	
27.	804-017C	WASHER FLAT 1/2 USS PLT	
28.	804-029C	WASHER FLAT 1 SAE	
29.	805-058C	PIN COTTER 3/16 X 2	
30.	810-118C	CYL 2.5X20X1.12 ROD (TIE)1 PIN	Refer to page 13-9, page 13-11 & page 13-13 for breakdown.
31.	113-200H	CHAIN BAR WELDMENT	
32.	113-311D	HINGE PIN	
33.	113-319D	MARKER CHAIN 30'	
34.	113-323D	CHAIN BAR	
35.	113-560H	MARKER CARRIER	
36.	113-568H	MARKER TRANSPORT MOUNT	
37.	802-022C	HHCS 3/8-16X1 1/2 GR5	
38.	802-168C	HHCS 3/8-16X3 1/4 GR5	
39.	802-261C	HHCS 3/8-16X2 1/2 GR5 FTTH	
40.	803-020C	NUT HEX 1/2-13 PLT	
41.	803-021C	NUT HEX 5/8-11 PLT	
42.	804-011C	WASHER FLAT 3/8 USS PLT	
43.	804-015C	WASHER LOCK SPRING 1/2 PLT	
44.	804-022C	WASHER LOCK SPRING 5/8 PLT	
45.	806-005C	U-BOLT 1/2-13 X 2 X 3 GR 5	
46.	806-039C	U-BOLT 5/8-11 X 6 1/32 X 7 3/4	
47.	806-060C	U-BOLT 1/2-13 X 6 1/32 X 7 1/4	
48.	890-018C	UTILITY CLEVIS 5/16	
49.	818-682C	DECAL WARNING PINCH/CRUSH MRKR	

Legend: ● = 1st revision; ● = 2nd revision; ● = 3rd revision; ● = use up existing stock; ⊗ = not interchangeable; ⊗ ⊕ ● = for example: revision 2 is not interchangeable w/revision 1

Marker Disk and Hub



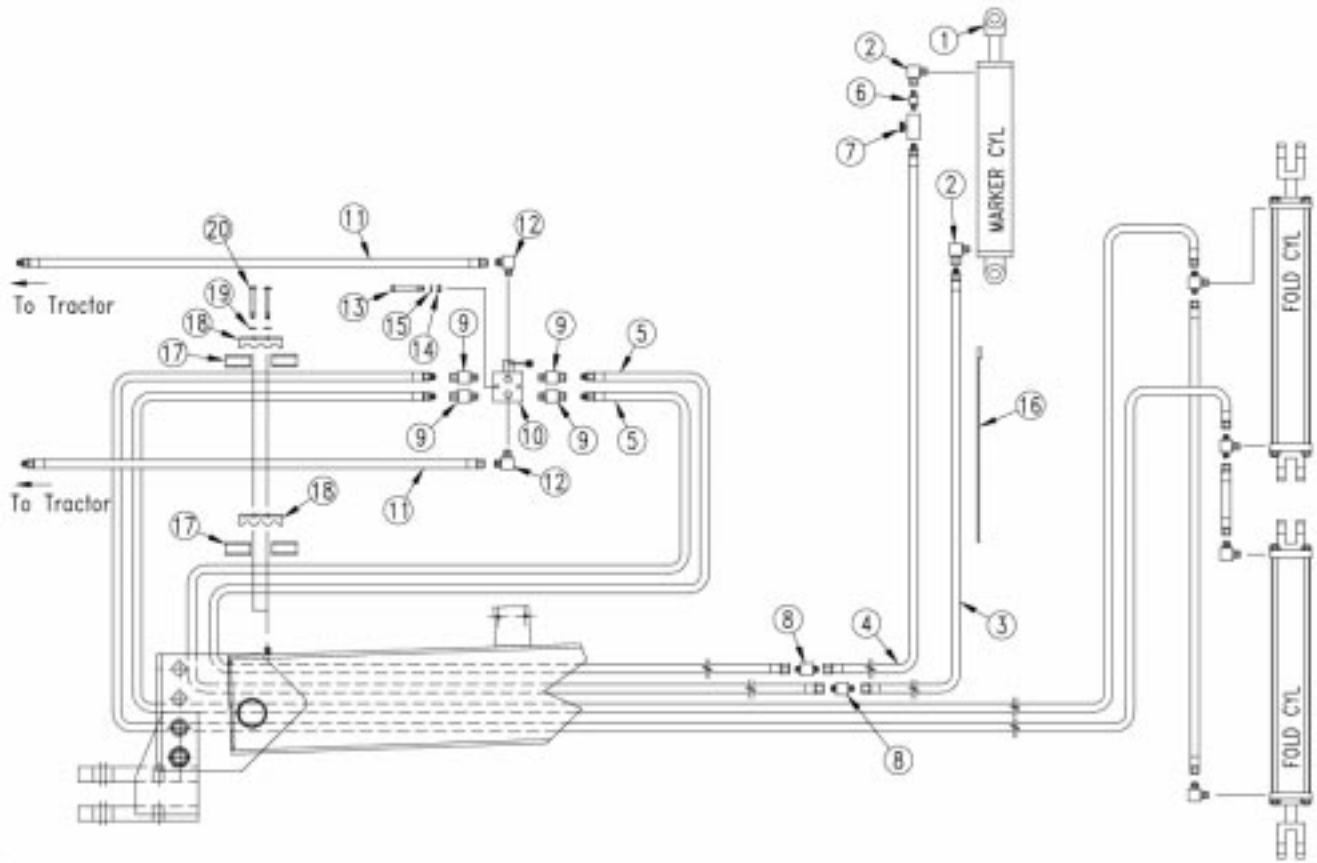
15481

Marker Disk and Hub

Ref.	Part No.	Part Description	Comments
1.	815-001C	TINE GW HUB	Includes items 2-7, 11,12 &13.
2.	816-014C	TINE GAUGE WHEEL HUB SEAL	
3.	822-030C	BEARING CONE 1	
4.	822-080C	BEARING CUP L44610	
5.	802-125C	BHSNB 1/2-20X1 3/8 GR5	
6.	1-100-02-00	RELIABLE HUB 4 BOLT	
7.	890-068C	GREASE CAP	
8.	803-159C	NUT LUG 1/2-20 X 60 DEG PLT	Includes item 1 and items 10 through 15
9.	113-563S	MARKER DISC & HUB ASSEMBLY	
10.	113-562H	1 SPINDLE MARKER WELDMENT	
11.	804-025C	WASHER FLAT 3/4 SAE PLT	
12.	803-053C	NUT HEX SLOTTED 3/4-16	
13.	805-019C	PIN COTTER 5/32 X 1 PLT	
14.	820-098C	14 4-BOLT MARKER DISK	
15.	113-369H	DEPTH BAND 10 4-BOLT 4B.C.	

Legend: ● = 1st revision; ● = 2nd revision; ● = 3rd revision; ● = use up existing stock; ⊗ = not interchangeable; ⊗ ① ● = for example: revision 2 is not interchangeable w/revision 1

Single Marker Hydraulics



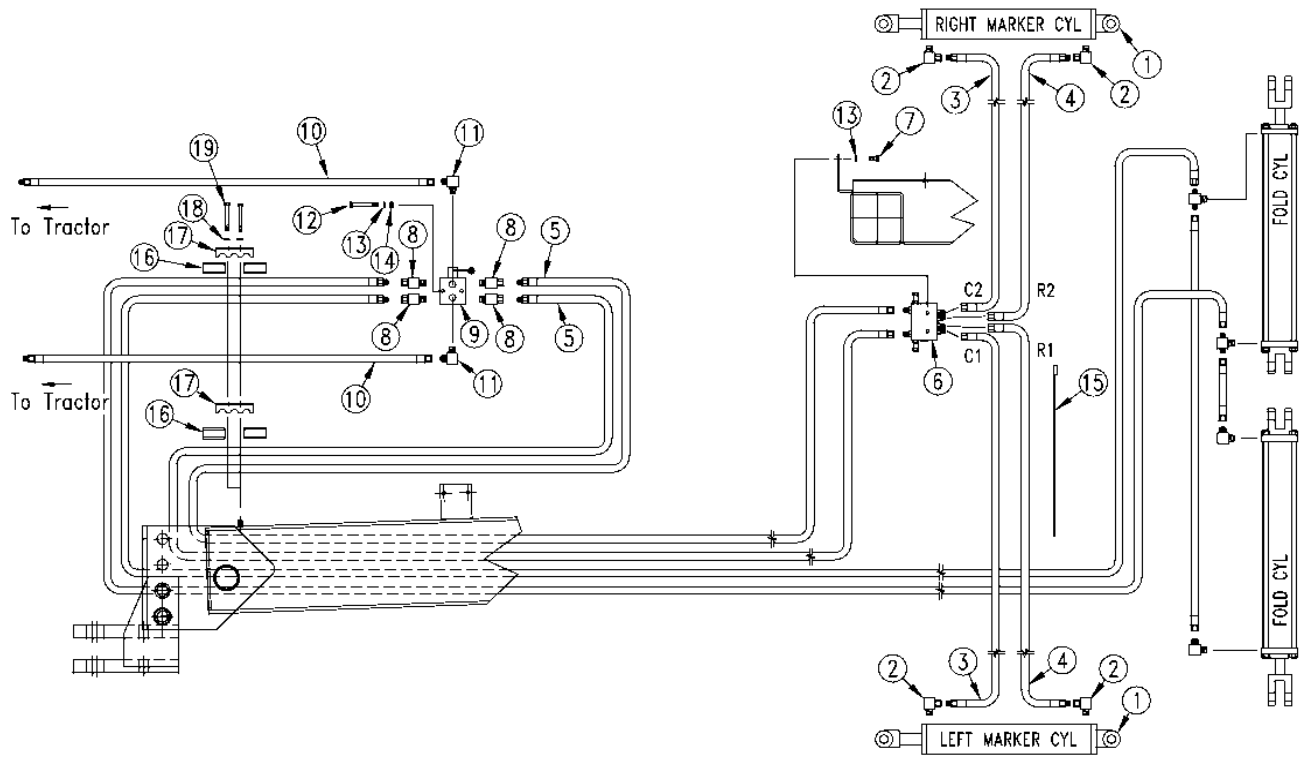
15483

Single Marker Hydraulics

Ref.	Part No.	Part Description	Comments
1.	810-118C	CYL 2.5X20X1.12 ROD (TIE)1 PIN	Refer to page 13-9, page 13-11 & page 13-13 for breakdown.
2.	811-281C	EL 3/8FNPT 9/16MORB	
3.	811-035C	HH1/4R1 252 9/16FJIC 3/8MNPT	
4.	811-293C	HH1/4R1 272 3/8MNPT 9/16FJIC	
5.	811-580C	HH1/4R1 348 1/2MNPT 9/16FJIC	
6.	811-044C	AD 3/8MNPT	
7.	810-058C	VALVE 3/8 NEEDLE	
8.	811-315C	AD 9/16MJIC	
9.	811-021C	AD 1/2FNPTS 3/4MORB	
10.	810-274C	DOUBLE SELECTOR VALVE 3/4FORB	Refer to page 13-15 for breakdown.
11.	811-579C	HH3/8R1 096 1/2MNPT 9/16FJIC	
12.	811-171C	EL 3/4MORB 9/16MJIC	
13.	802-168C	HHCS 3/8-16X3 1/4 GR5	
14.	803-014C	NUT HEX 3/8-16 PLT	
15.	804-013C	WASHER LOCK SPRING 3/8 PLT	
16.	800-082C	CABLE TIE .31X21.5 6DIA 120LB	
17.	113-370D	1/4 MARKER HYD HOSE GUARD	
18.	196-112D	HOSE CLAMP BRACKET	
19.	804-009C	WASHER LOCK SPRING 5/16 PLT	
20.	802-138C	HHCS 5/16-18X2 1/4 GR5	

Legend: ① = 1st revision; ② = 2nd revision; ③ = 3rd revision; ● = use up existing stock; ⊗ = not interchangeable; ⊗ ① ② = for example: revision 2 is not interchangeable w/revision 1

Dual Markers Hydraulics

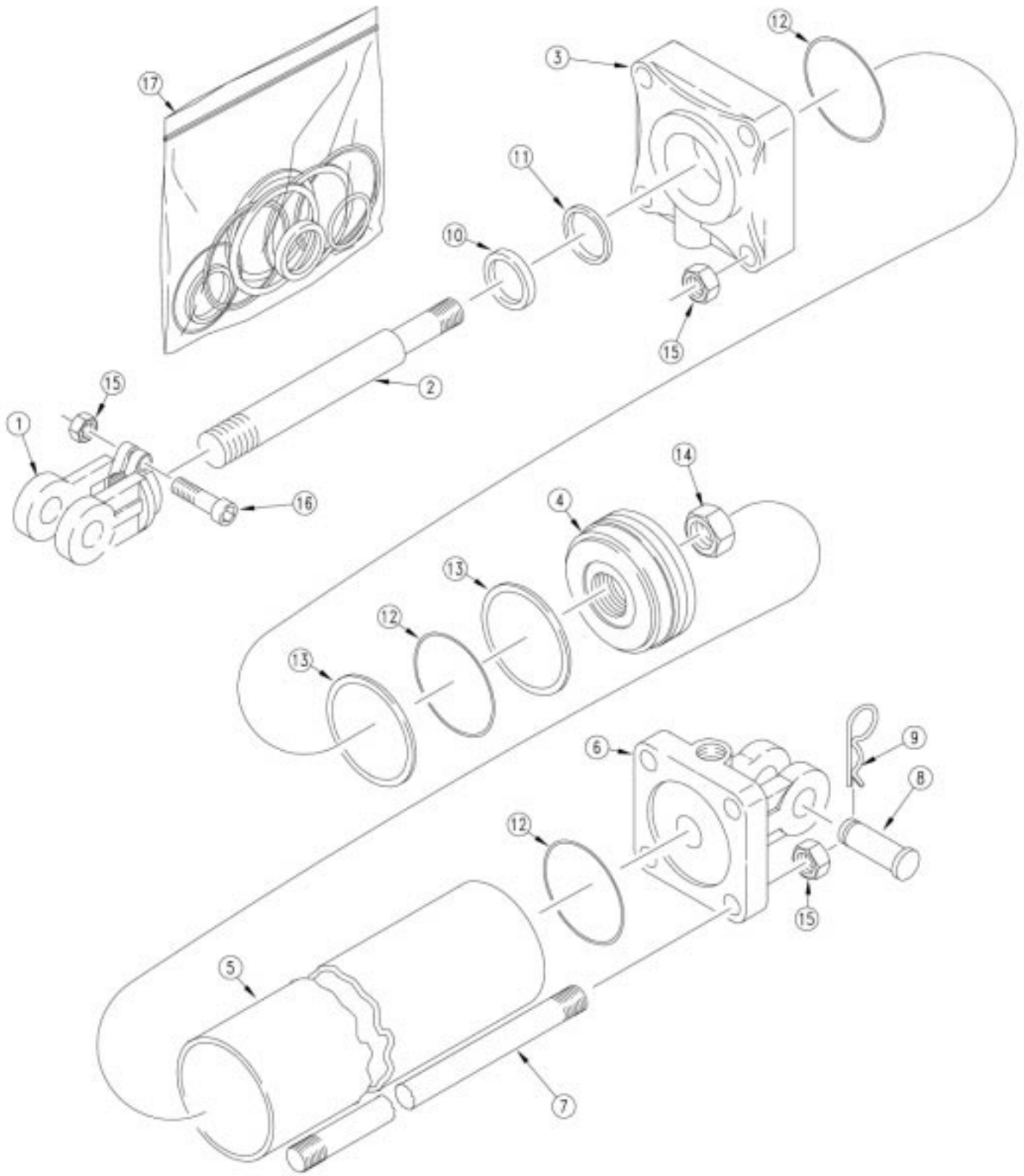


Dual Markers Hydraulics

Ref.	Part No.	Part Description	Comments
1.	810-118C	CYL 2.5X20X1.12 ROD (TIE)1 PIN	Refer to page 13-9, page 13-11 & page 13-13 for breakdown.
2.	811-281C	EL 3/8FNPT 9/16MORB	
3.	811-035C	HH1/4R1 252 9/16FJIC 3/8MNPT	
4.	811-293C	HH1/4R1 272 3/8MNPT 9/16FJIC	
5.	811-580C	HH1/4R1 348 1/2MNPT 9/16FJIC	
6.	810-197C	VALVE,SEQUENCE SHOEMAKER	Refer to page 13-17 for breakdown.
7.	802-014C	HHCS 3/8-16X3/4 GR5	
8.	811-021C	AD 1/2FNPTS 3/4MORB	
9.	810-274C	DOUBLE SELECTOR VALVE 3/4FORBR	Refer to page 13-15 for breakdown.
10.	811-579C	HH3/8R1 096 1/2MNPT 9/16FJIC	
11.	811-171C	EL 3/4MORB 9/16MJIC	
12.	802-168C	HHCS 3/8-16X3 1/4 GR5	
13.	804-013C	WASHER LOCK SPRING 3/8 PLT	
14.	803-014C	NUT HEX 3/8-16 PLT	
15.	800-082C	CABLE TIE .31X21.5 6DIA 120LB	
16.	113-370D	1/4 MARKER HYD HOSE GUARD	
17.	196-112D	HOSE CLAMP BRACKET	
18.	804-009C	WASHER LOCK SPRING 5/16 PLT	
19.	802-138C	HHCS 5/16-18X2 1/4 GR5	

Legend: ● = 1st revision; ● = 2nd revision; ● = 3rd revision; ● = use up existing stock; ⊗ = not interchangeable; ⊗ ① ● = for example: revision 2 is not interchangeable w/revision 1

Midway Hydraulic Cylinder 2.5 x 20 x 1.12 (810-118C)



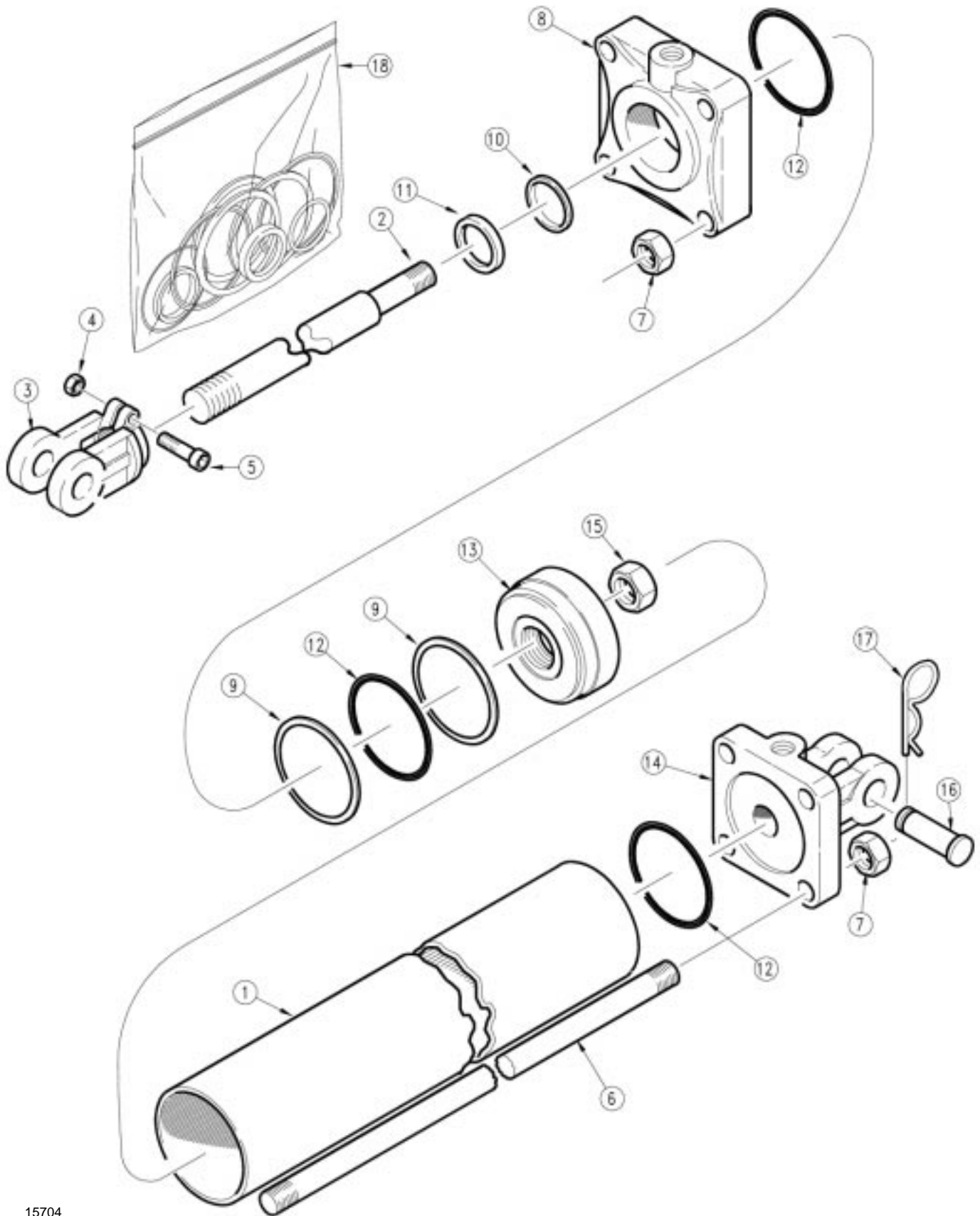
15705

Midway Hydraulic Cylinder 2.5 x 20 x 1.12 (810-118C)

Ref.	Part No.	Part Description	Comments
1.	1M6006	MW ROD CLEVIS	
2.	2M3326	MW ROD	
3.	3R0310	MW HEAD	
4.	4M3102	MW PISTON 2 1/2 CYL	
5.	5M3128	MW TUBE 2-1/2 X 20 CYLINDER	
6.	6R3150	MW BASE	
7.	7M3328	MW TIE ROD	
8.	2A0206	MW PIN SHORT	
9.	2A0132	MW PIN CLIP	
10.		MW WIPER	Only found in seal kit 17
11.		MW U-CUP	Only found in seal kit 17
12.		MW O-RING	Only found in seal kit 17
13.		MW BACKUP	Only found in seal kit 17
14.	2A0022	MW NUT, PISTON	
15.	2A0012	MW NUT CLEVIS & TIE ROD	
16.	2A0006	MW CAPSCREW	
17.	810-210C	SEAL KIT MW 2.5 CYL 3A3102	

Legend: ● = 1st revision; ● = 2nd revision; ● = 3rd revision; ● = use up existing stock; ⊗ = not interchangeable; ⊗ ① ● = for example: revision 2 is not interchangeable w/revision 1

Cross Hydraulic Cylinder 2.5 x 20 x 1.12 (810-118C)



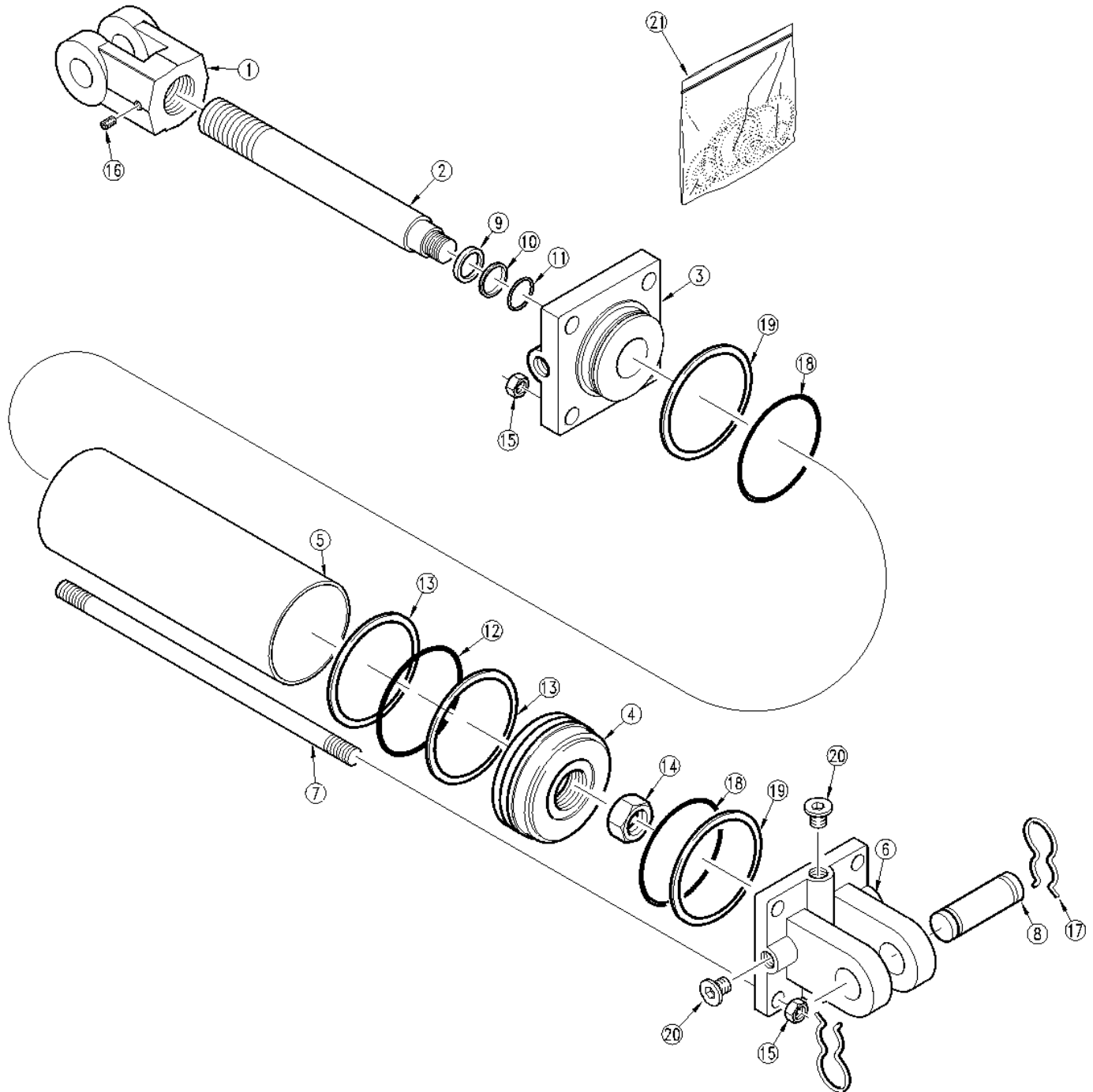
15704

Cross Hydraulic Cylinder 2.5 x 20 x 1.12 (810-118C)

Ref.	Part No.	Part Description	Comments
1.	1D0005-2250	CROSS TUBE	
2.	1D0204-2475	CROSS ROD	
3.	1D1003-4	CROSS ROD CLEVIS	
4.	2A0235-6	CROSS NUT, CLEVIS & TIE ROD	
5.	2A0079-616	CROSS SCREW, CAP	
6.	2A0578-2475	CROSS TIE ROD	
7.	2A0235-6	CROSS NUT, CLEVIS & TIE ROD	
8.	1D1155-13	CROSS HEAD	
9.		BACKUP PISTON	Only found in seal kit item 18
10.		U-CUP	Only found in seal kit item 18
11.		ROD WIPER	Only found in seal kit item 18
12.		O-RING PISTON	Only found in seal kit item 18
13.	1D1401-250	CROSS PISTON	
14.	4C2024	CROSS BASE	
15.	2A0246-12	CROSS NUT, PISTON	
16.	1D1582-16275	CROSS PIN, CLEVIS (BASE END)	
17.	2A0308-1	CROSS PIN, CLIP	
18.	810-119C	SEAL KIT 2.5 CROSS 3C4385	

Legend: ● = 1st revision; ● = 2nd revision; ● = 3rd revision; ● = use up existing stock; ⊗ = not interchangeable; ⊗ ① ● = for example: revision 2 is not interchangeable w/revision 1

Monarch Hydraulic Cylinder 2.5 x 20 x 1.12 (810-118C)



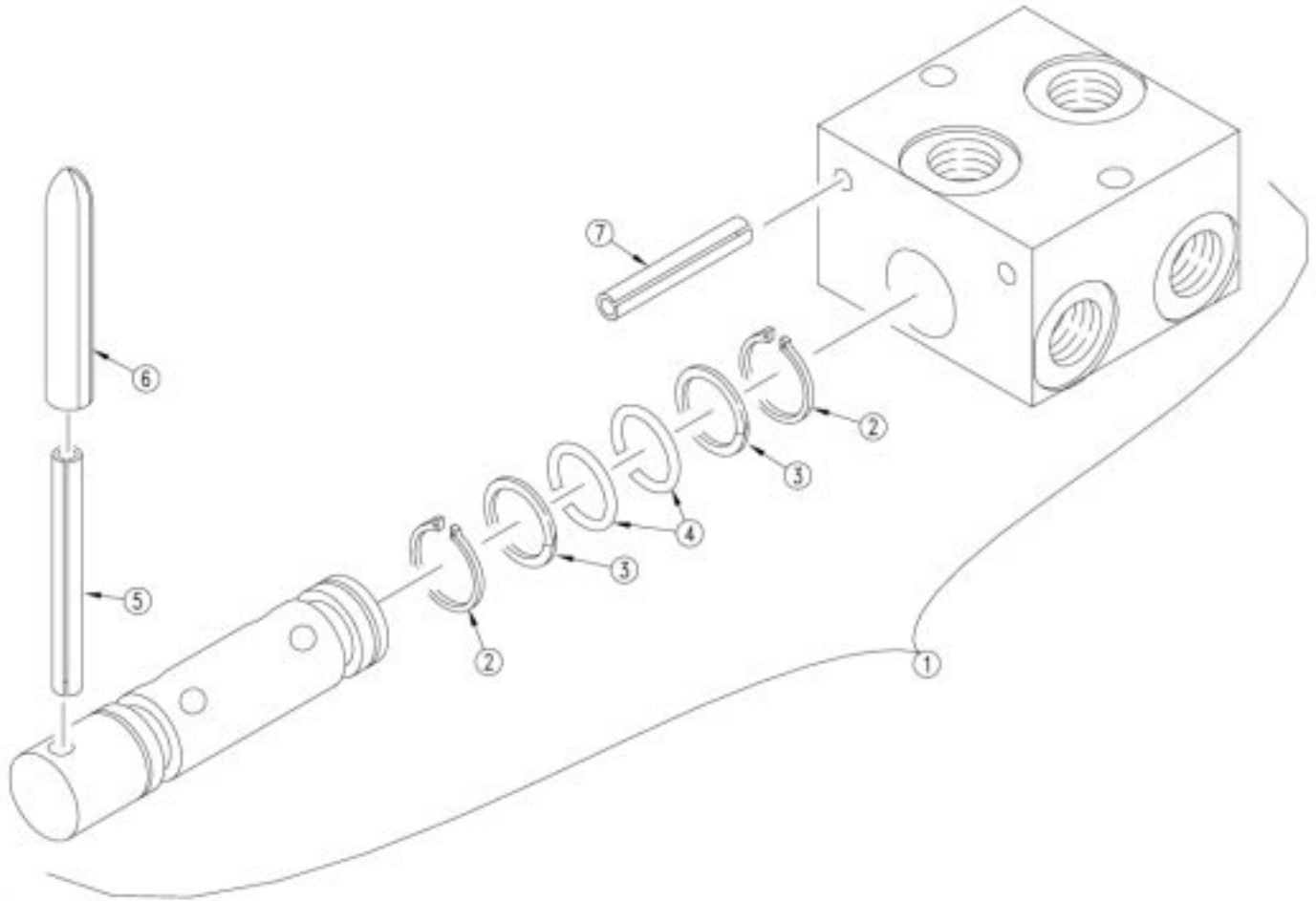
15713

Monarch Hydraulic Cylinder 2.5 x 20 x 1.12 (810-118C)

Ref.	Part No.	Part Description	Comments
1.	492650	LION ROD CLEVIS 1 1/8-12UNF	
2.	492643	LION ROD 1.25 X 20	
3.	492724	LION ROD CAP 2.5X1.25 9/16 ORB	
4.	492529	LION PISTON 2.5 DIA CST DI	
5.	491680	LION CYL. TUBE 2.5X20 H6080	
6.	492371	LION CLEVIS CAP 2.5	
7.	492230	LION TIE ROD 3/8X20 H6630 RIO	
8.	134953	LION PIN	
9.		WIPER SEAL	Only found in seal kit 21
10.		O-RING	Only found in seal kit 21
11.		BACKUP RING	Only found in seal kit 21
12.		O-RING	Only found in seal kit 21
13.		BACKUP RING	Only found in seal kit 21
14.	129090	LION NUT 3/4UNC	
15.	803-014C	NUT HEX 3/8-16 PLT	
16.	801-023C	SCREW SET SH 3/8-16X3/8 TYPE C	
17.	134952	LION PIN CLIP-CLEVIS	
18.		O-RING	Only found in seal kit 21
19.		BACKUP RING	Only found in seal kit 21
20.	186561	PLUG 9/16-18UNF MORB SOCKET HD	
21.	810-254C	SEAL KIT LN 639574 2.5BX1.25RD	

Legend: ● = 1st revision; ● = 2nd revision; ● = 3rd revision; ● = use up existing stock; ⊗ = not interchangeable; ⊗ ① ● = for example: revision 2 is not interchangeable w/revision 1

Double Selector Valve (810-274C)



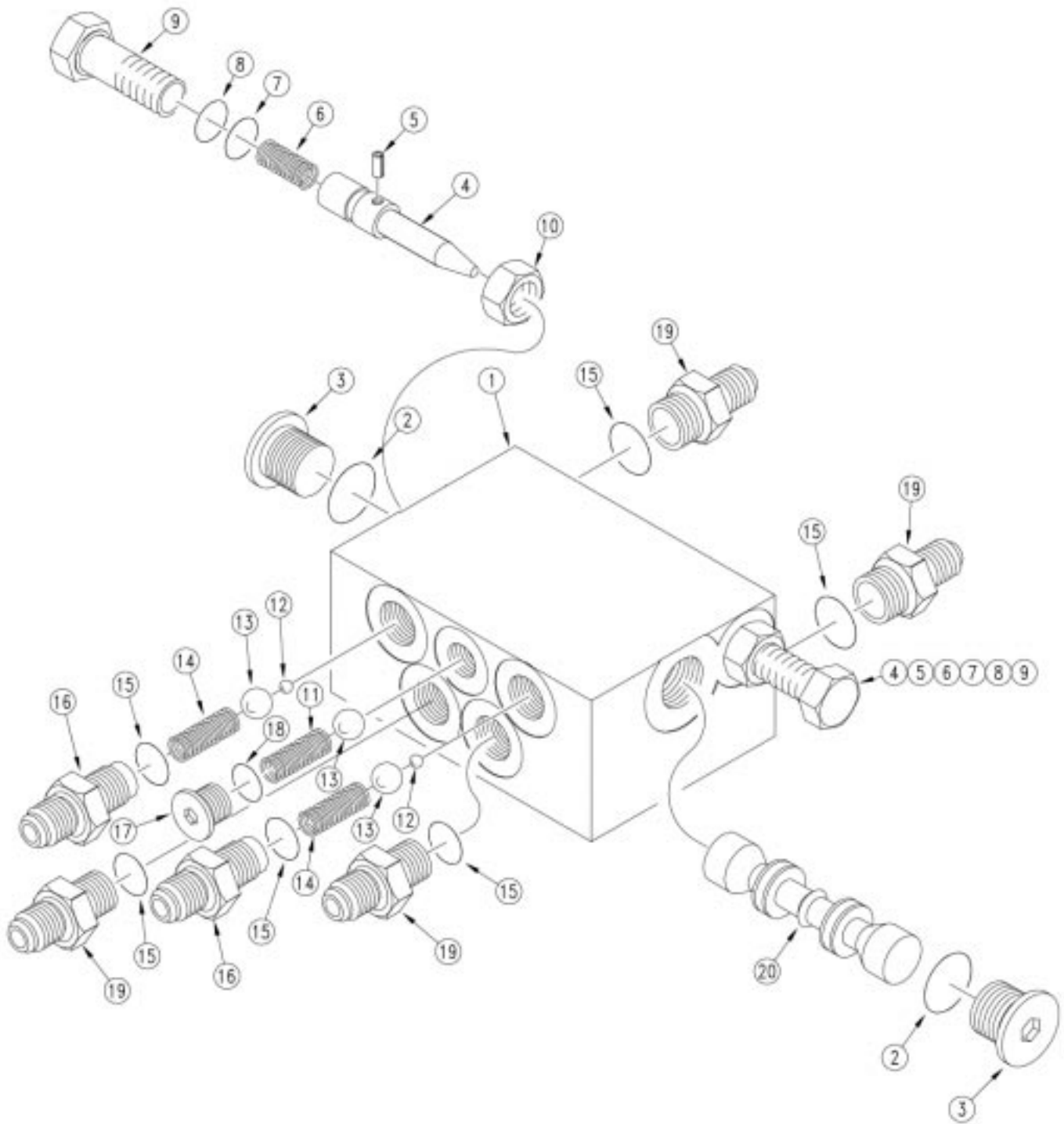
14927

Double Selector Valve (810-274C)

Ref.	Part No.	Part Description	Comments
1.	810-274C	DOUBLE SELECTOR VALVE 3/4FORB	
2.	1079	SH RETAINING RING TRU ARC	
3.	1089-210	SHOEMAKER TEFLON BACK UP	
4.	1088-210	SHOEMAKER O-RING BUNA N 70DURO	
5.	1285	SH GROOVE PIN	
6.	817-255C	BLACK VINYL GRIP	
7.	1084	SH PIN, SPRING 0.25 DIAMETER	

Legend: ① = 1st revision; ② = 2nd revision; ③ = 3rd revision; ● = use up existing stock; ⊗ = not interchangeable; ⊗ ① ② = for example: revision 2 is not interchangeable w/revision 1

Sequence Valve (810-197C)



12024

Sequence Valve (810-197C)

Ref.	Part No.	Part Description	Comments
1.	3089	SHOEMAKER BODY MKR SEQ VALVE	
2.	1088-908	SHOEMAKER O-RING	
3.	1132-08	SHOEMAKER PLUG, HEX SOCKET	
4.	1179	SHOEMAKER NEEDLE, FLOW CONTROL	
5.	1217	SHOEMAKER .125 SPRING PIN	
6.	1211	SHOEMAKER SPRING COMPRESSION	
7.	1088-011	SHOEMAKER O-RING	
8.	1089-011	SHOEMAKER TEFLON BACK UP RING	
9.	1180	SHOEMAKER SCREW, FLOW CON.ADJ.	
10.	1218	SHOEMAKER HEX, JAM NUT Z PLTD.	
11.	1099	SHOEMAKER SPRING DETENT	
12.	1087-250	BALL, STEEL 1/4 DIAMETER	
13.	1087-437	SHOEMAKER 7/16 DIA STEEL BALL	
14.	1042	SPRING	
15.	1088-906	SHOEMAKER O-RING	
16.	1182	SHOEMAKER FITTING PORT ADPT.	
17.	1132-05	SHOEMAKER HEX, SKT O-RING PLUG	
18.	1088-905	SHOEMAKER O-RING	
19.	1092-6	SHMKR ST CNTR REPL BY 1092-6-6	
20.	2153	SHOEMAKER SPOOL, MKR SEQ. .055	

Legend: ● = 1st revision; ● = 2nd revision; ● = 3rd revision; ● = use up existing stock; ⊗ = not interchangeable; ⊗ ① ● = for example: revision 2 is not interchangeable w/revision 1